

CATALOGUE

NORMAL CARE
OT/ICU RESUSCITATION
BIOMEDICAL EQUIPMENT





TLV worldwide

Through its strong presence on 5 continents, TRATO-TLV group has become the European leader in lighting and hospital equipment. The company built its success on the response tailored to the needs of its customers and its adaptation to international norms and standards. The group currently generates 30% of its revenue internationally in over 55 countries.

For more information on TRATO TLV group : www.trato-tlv.com

Who are we?

TLV is a French designer and manufacturer of lighting units and equipment for hospitals. The company sales all over the world products for :

- Normal care rooms
- OT/ICU Resuscitation

With 250 employees (TRATO-TLV group) and a modern production facility, TLV is a leading international supplier to private and public healthcare institutions.

Design and Innovation

TLV has been building lighting and hospital equipment solutions providing quality, comfort, safety, and good value to healthcare professionals all over the world for more than 70 years.

Today, TLV offers the most complete range on the market, using the most advanced technologies. Many of its models are equipped with LEDs, contributing to sustainable development through their long working life and high light output.

TLV's R&D department lies at the heart of its operations. It uses the finest and most efficient materials to build ergonomic, high-performance hospital equipment and lighting units.

TLV has a dedicated styling unit within its design office, enabling it to develop devices with added aesthetic and ergonomic value.

Quality

TLV is involved in a continual improvement process via its quality management system which is based mainly on the following standards:

- ISO 13485: Quality management system requirements for medical devices.
- Regulation 2017/745/UE about medical devices

■ BED HEAD UNITS (P.10 - P.55)

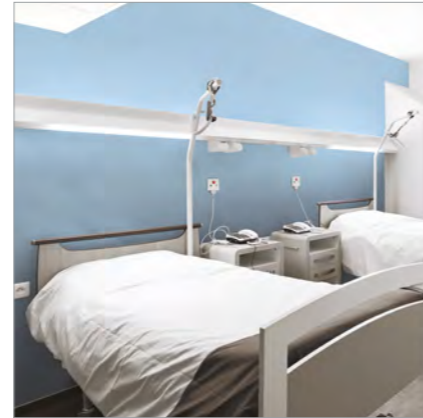
• FLUIDYS - P.14



• AXIS - P.22



• HI-BEAM - P.30



• MEDIVA - P.36



• LYSA - P.42



• COCOON - P.48

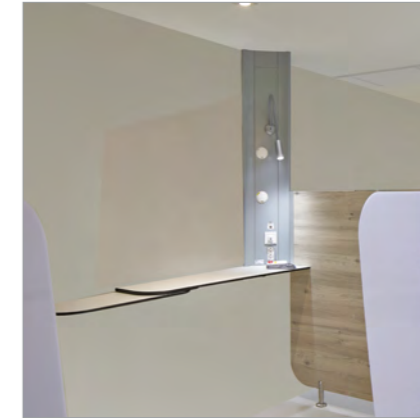


■ VERTICAL BED HEAD UNITS ASSOCIATED WITH WALL LIGHTING UNIT (P.56 - P.73)

• FLUIDYS - P.58



• FLUIDYS HALF WALL COLUMN - P.62



• SIMPLE CARE - P.68

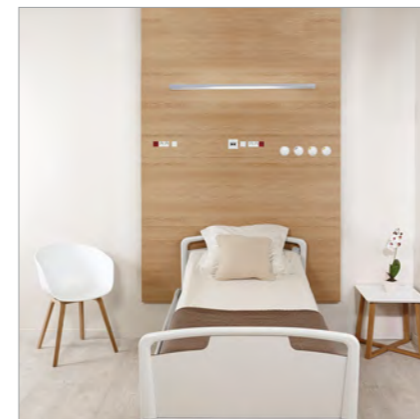


• SILEA - P.70



■ ARCHITECTURAL CONCEPTS (P.74 - P.101)

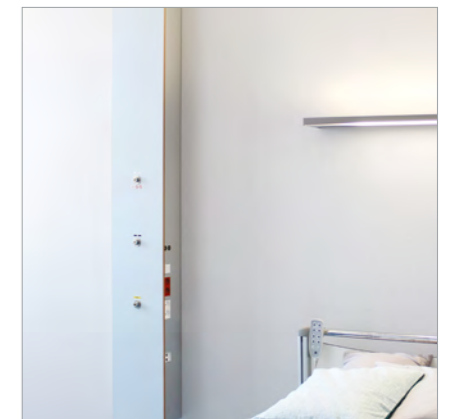
• GOODWOOD - P.76



• GOODWOOD MOVE - P.86



• MADEIRA - P. 94



■ NON-MEDICALIZED WALL LIGHTING UNITS (P.102 - P.115)

• LYSA - P.42



• LINA - P.104



• AVOLYS - P.110



■ WALL LIGHTING UNITS (P.116 - P.131)

• LYSA - P.116



• GOODLIGHT - P.122



• LUMIA - P.128



■ EXTRA LIGHTING (P.132 - P.137)

• FLEX-E LIGHT - P.134



• NATLYS - P.136



■ SPECIAL CARE BED HEAD UNITS (P.140 - P.181)

• MEDICAL GAS CASING - P.142



• SILEA - P.148



• FLUIDYS (horizontal installation) - P.152



• MULTIDYS RANGE - P.160



• FLUIDYS (vertical installation) - P.170



• SIMPLE CARE - P.176



■ SUSPENDED COLUMNS (P.182 - P.199)

• MULTICARE EVOLUTION - P.184



• FLUIDYS CONCEPT FOR AMBULATORY USE - P.192



• FLUIDYS CONCEPT FOR TECHNICAL TRAYS - P.200



■ SUSPENDED BEAMS (P.202 - P.221)

• HI-CARE - P.202



• FLUIDYS - P.216



■ CEILING PENDANTS (P.222 - P.243)

• TECH-CARE ERGOFIX - P.224



• TECH-CARE EASYLIFT - P.236

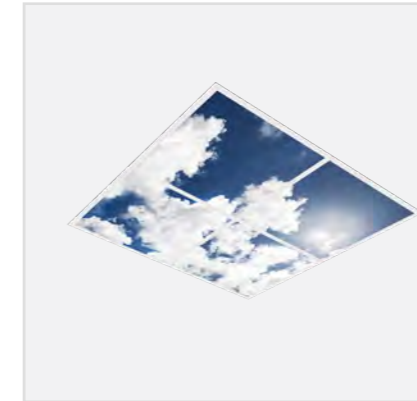


■ SEALED LIGHTINGS (P.244 - P.271)

• ILUS - P.246



• SKYDECO - P.254



• STAGNO - P.262



• LE 5080 - P.268

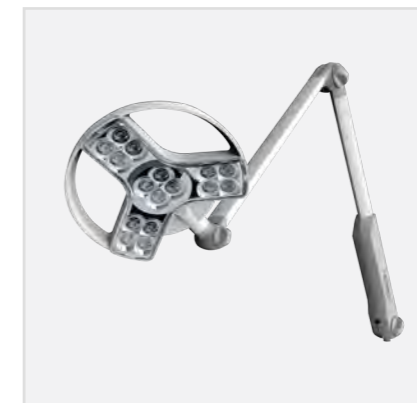


BIOMEDICAL EQUIPMENT

• SECURIDYS 816 Medical gas monitoring - P.274



• Biomedical accessories - P.282



APPENDICES

■ TRAYS AND DRAWERS EQUIPMENTS FOR OT/ICU RESUSCITATION	(P.242)
■ ELECTRICAL AND MEDICAL GAS EQUIPMENT INTEGRATION	(P.298)
■ LED INFORMATION	(P.299)
■ POWER SUPPLY DUCTS	(P.300)
■ LAMINATED WOOD COLORS	(P.302)
■ DYNAMIC LIGHTING	(P.304)
■ CIRCULATION LIGHTING	(P.308)
■ NORMS & RECOMMENDATIONS	(P.312)



NORMAL CARE RANGE

Bed head units
Vertical bed head units associated with wall lighting unit
Architectural concepts
Non-medicalized wall lighting units
Wall lighting units
Extra lighting



BED HEAD UNITS

FLUIDYS	p.14
AXIS	p.22
HI-BEAM	p.30
MEDIVA	p.36
LYSA	p.42
COCOON	p.48



Continuous lighting The FLUIDYS offers the possibility of a continuous direct light, adding an aesthetic appreciation.

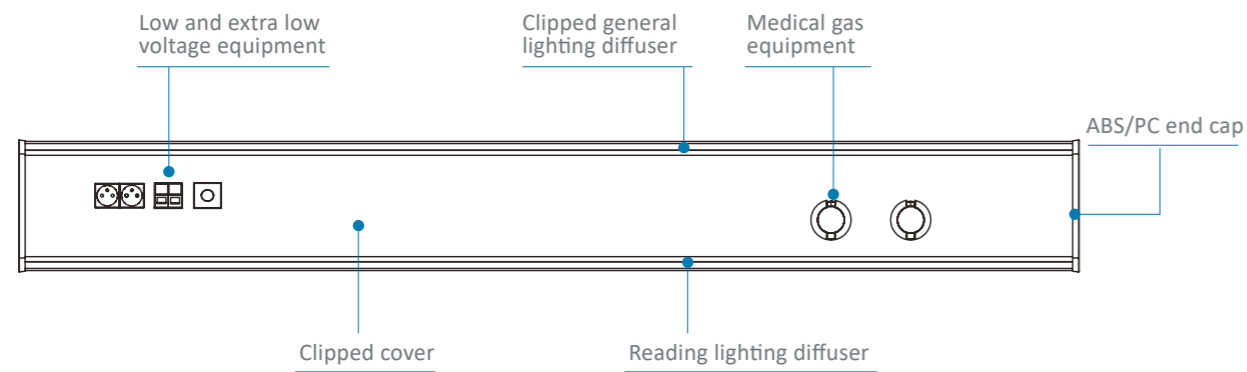
Design and ergonomics The bed head unit can integrate an optional 300 mm long (minimum length) medical accessory mounting rail. This rail can be positioned at the top or bottom of the bed head unit.

Medical gas casing These easy-clean medical gas casings provide protection. They are securely fastened to the cover, for easy installation and maintenance.

FLUIDYS

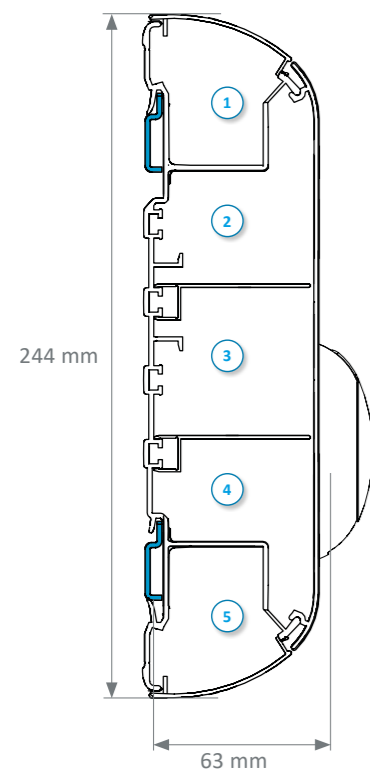
TECHNICAL FEATURES

Front view

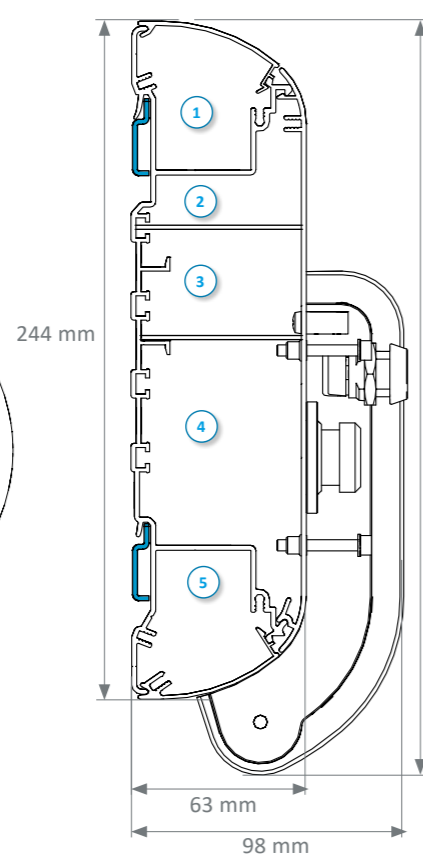


Cross-section

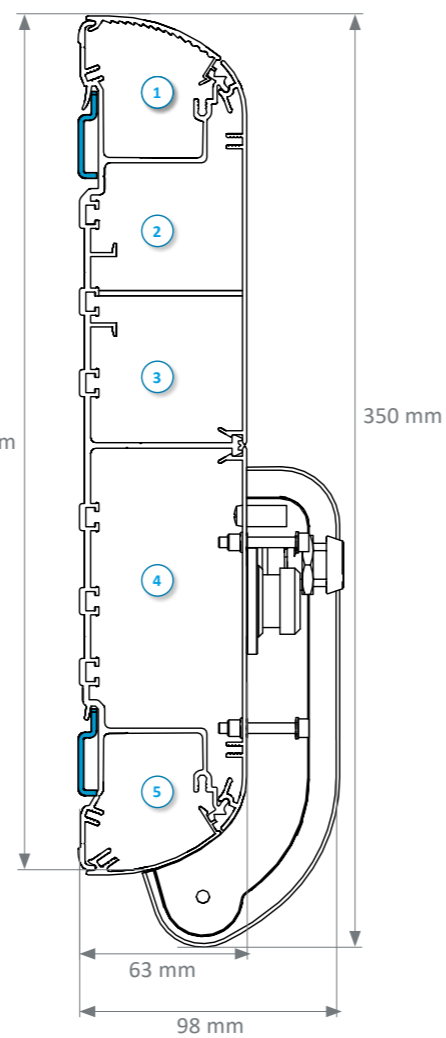
Fluidys



Mono Secured Fluidys



Duo Secured Fluidys



Colours

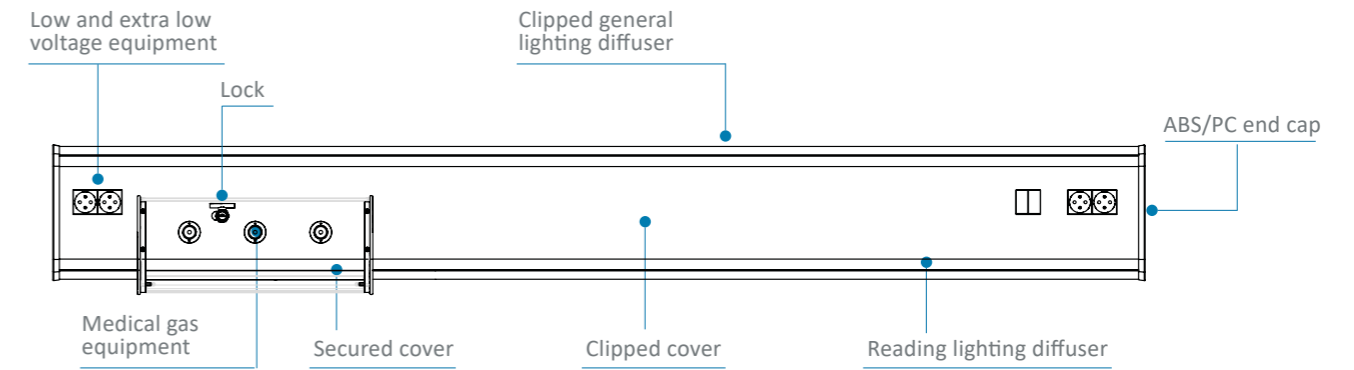
	White RAL 9016	Grey RAL 7040	Grey RAL 9006
Aluminum profile	●		●
Medical gas casing	●	●	
End caps	●	●	

- ① General and night light compartment
- ② Extra low voltage compartment
- ③ Low voltage compartment
- ④ Medical gas compartment
- ⑤ Reading lighting compartment

SECURED FLUIDYS

The Fluidys bed head unit has a specific cover secured by key for medical gas. Made of PMMA (Polymethyl methacrylate), the transparent cover is resistant and can be adapted to environments requiring a maximum security. It has a high impact resistance rating IK 07.

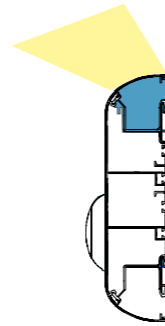
Front view



Its optical design allows perfect control of the lighting, favouring the well-being of care teams and patients.

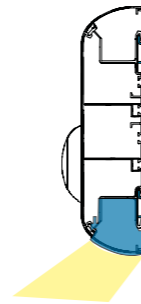
General lighting

- Extruded polycarbonate diffuser
- MIRO 20 SILVER® aluminum reflector



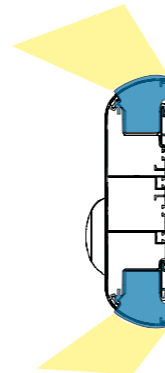
Reading lighting

- Extruded polycarbonate diffuser
- MIRO 20 SILVER® aluminum reflector



Caring lighting

Caring lighting is a combination of direct (reading) lighting with indirect (general) lighting.



Lighting power

Lighting	Modules power	Types of sources	Color temperature	Luminous Flux ⁽¹⁾	Consumption	System Efficiency	Driver(s)
General lighting	35,9 W (4 Ft)	LED	3000 K 4000 K	5965 lm	42,2 W	141,4 lm/W	Fixed / DALI
	44,3 W (5 Ft)	LED	3000 K 4000 K	7390 lm	51,1 W	143,6 lm/W	Fixed / DALI
General lighting (Dynamic lighting)	47,2 W (4 Ft)	LED	2700 K to 6500 K	6200 lm	54 W	114,8 lm/W	DALI
Reading lighting	12,5 W (2Ft)	LED	3000 K 4000 K	2035 lm	14,9 W	136,6 lm/W	Fixed / DALI
Night light	1 x 3,1 W	LED	3000 K	292 lm	3,3 W	89,8 lm/W	Fixed

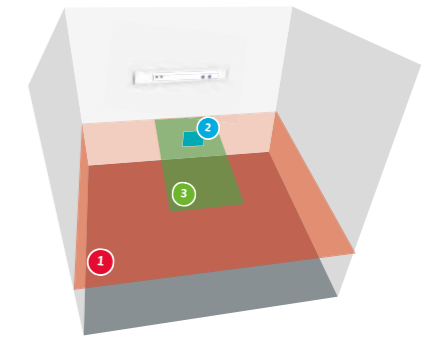
- Luminous flux maintenance factor : L80B10 to 60 000 hours
- MacAdam Ellipse: 3 SDCM
- LED sources photobiological risk : GP1

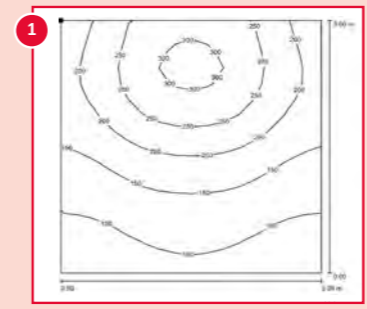
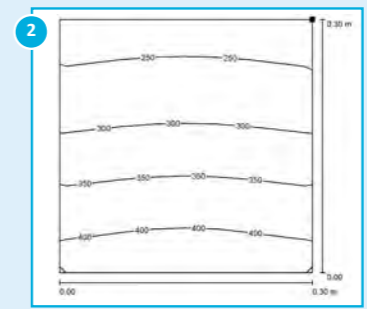
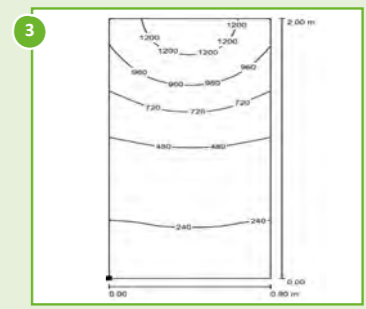
⁽¹⁾ All the luminous flux indicated in the brochure are based on the flux of the LED modules also known as system flux.

Luminaire output flux = (Module flux) x (optical efficiency), the optical efficiency of the luminaire is indicated in the Eulumdat file (LDT line 23) available for download on our website or on request.

Lighting study

- Standard room
- Dimensions of the room: 3 m x 3 m, ceiling clearance 2.5 m
- Reflection coefficients: ceiling 7, walls 5, and floor 3
- Coefficient of depreciation 0.83



LED	General lighting Virtual general lighting plane of a surface equal to the one of the room, located 0.85 m above the floor (3 m x 3 m for a single room).	Reading lighting Virtual reading plane 0.3 m x 0.3 m inclined at 75° located 1.1 m from the floor and 1 m from the wall where the unit is located.	Caring lighting Virtual examination plane 2 m x 0.9 m located 0.85 m from the floor, centred in width and 0.1 m from the wall.
	4 Ft module 	2 Ft module 	General and reading lighting combined 
Consumption	42,2 W	14,9 W	57,1 W
Average lighting	150 lx	312 lx	535 lx

Dynamic Lighting



The FLUIDYS bed head unit is available with dynamic lighting. For more information please see page 304.



Continuous lighting The AXIS bed head unit offers the possibility of a continuous direct light, adding an aesthetic appreciation.

Design and ergonomics The bed head unit can integrate an optional vertical stainless steel tube support and a shelf which would be positioned at the bottom of the bed head unit.

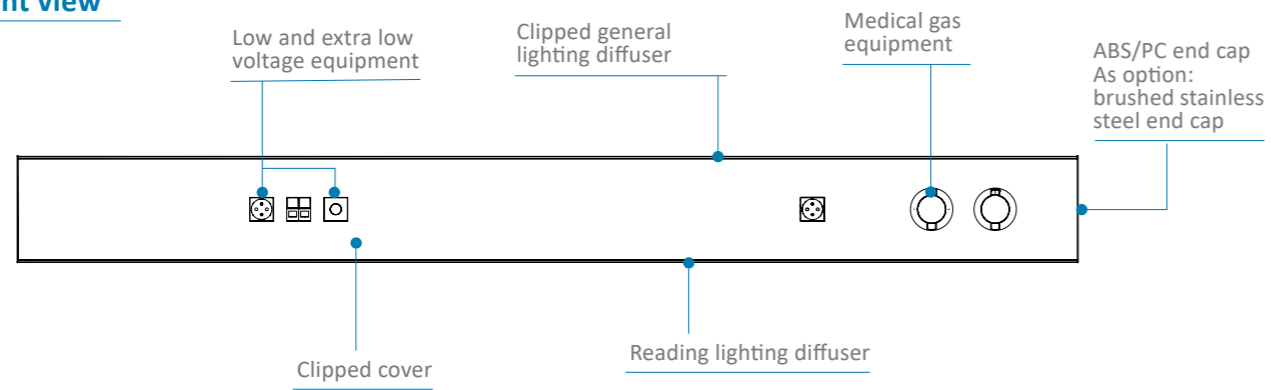
Personnalisation The cover of the AXIS bed head unit is fully customizable in the color of your choice: plain, wood or decorative film. It fits easily with the decoration of the room.



AXIS

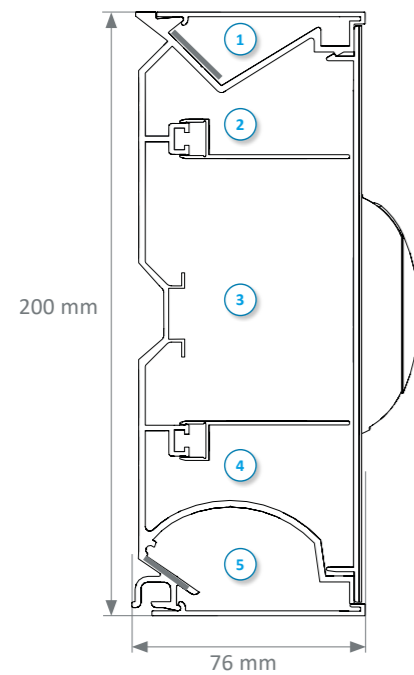
TECHNICAL FEATURES

Front view



Cross-section

AXIS



- ① General and night light compartment
- ② Extra low voltage compartment
- ③ Low voltage compartment
- ④ Medical gas compartment
- ⑤ Reading lighting compartment

Colours

	White RAL 9016	Grey RAL 7040	Grey RAL 9006	Plain colours or wood finishes	Brushed stainless steel
Aluminum profile	●		●		
Medical gas casing	●	●			
End caps	●	●			●
Laminate stick on the cover		SEE PAGE 302			

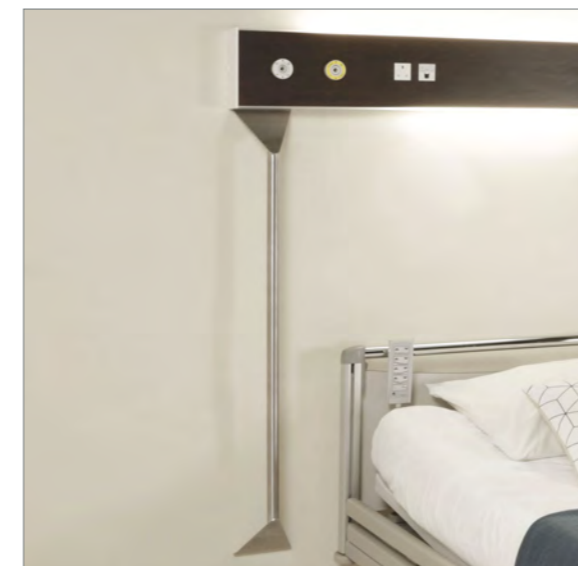
OPTIONAL ACCESSORIES

TLV has developed a range of optional equipment for the AXIS bed head unit to meet the needs of healthcare staff.



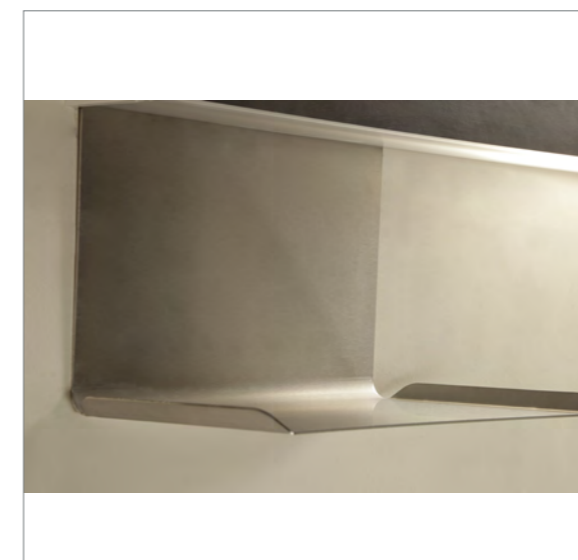
Brushed stainless steel end cap

The ABS/PC end caps can be replaced by brushed stainless steel end caps to provide cohesion with all the biomedical accessories.



Stainless steel vertical tube support for accessories

Stainless steel tube $\varnothing 30$ mm: max load 25 kg.
Dimensions: (HxW) 1180 mm x 150 mm.



Stainless steel tablet support for accessories

Brushed stainless steel tablet support for accessories :
max load 5 kg.
Dimensions (HxWxD) 331 mm x 207 mm x 200 mm.

FEW OTHER CONFIGURATIONS:
COMBINATION OF ONE OR MORE WOOD PANELS AND / OR ACRYLIC PANELS
WITH AN AXIS BED HEAD UNIT



Acrylic panel with inclusion of broken glass (or other decorations)

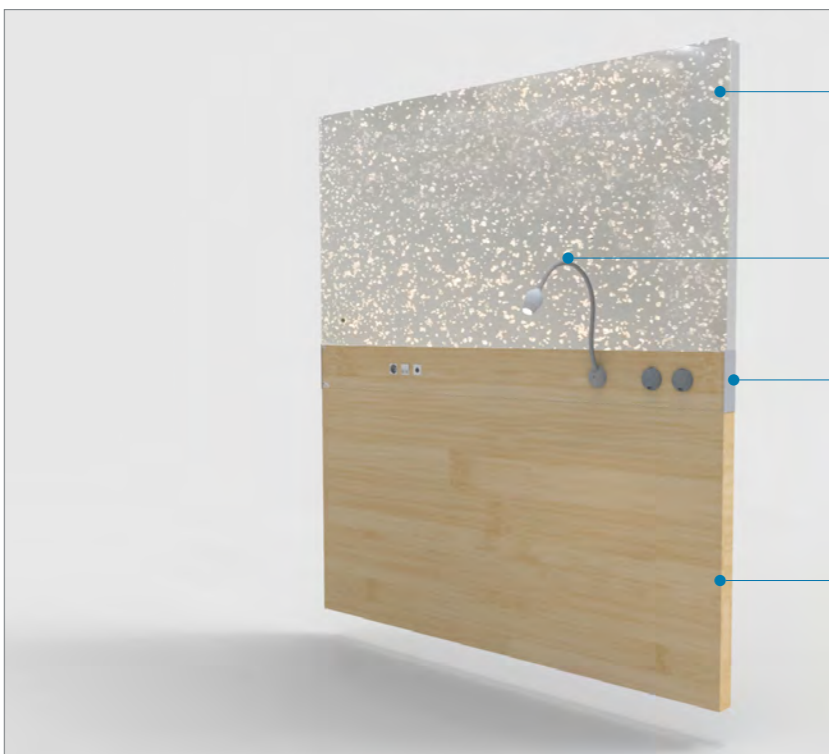
AXIS bed head unit



AXIS bed head unit

Acrylic panel with inclusion of broken glass (or other decorations)

Matching wood panel with the tint of the laminate cover of the bed head unit



Acrylic panel with inclusion of broken glass (or other decorations)

FLEX-E LIGHT reading spotlamp

AXIS bed head unit

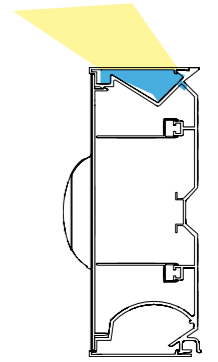
Matching wood panel with the tint of the laminate cover of the bed head unit

CONTROLLED LIGHTING

The AXIS optics have been studied to enable a perfect control of lighting. The aim is to contribute to improve the well being of the healthcare teams and the patient.

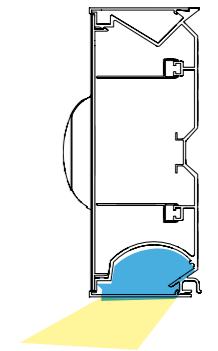
General lighting

- Diffuser made of satin co-extruded polycarbonate



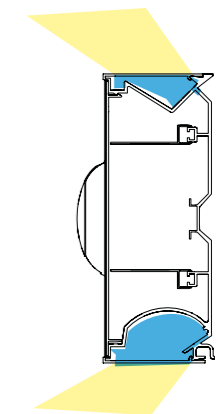
Reading lighting

- Diffuser made of satin co-extruded polycarbonate



Caring lighting

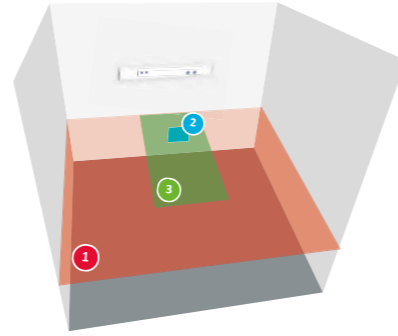
Caring lighting combines direct (reading) lighting with indirect (general) lighting.



EFFICIENT LIGHTING

Lighting study

- Standard room
- Dimensions of the room: 3 m x 3 m, ceiling clearance 2.5 m
- Reflection coefficients: ceiling 7, walls 5, and floor 3
- Coefficient of depreciation 0.83



	General lighting Virtual general lighting plane of a surface equal to the one of the room, located 0.85 m above the floor (3 m x 3 m for a single room).	Reading lighting Virtual reading plane 0.3 m x 0.3 m inclined at 75° located 1.1 m from the floor and 1 m from the wall where the unit is located.	Caring lighting Virtual examination plane 2 m x 0.9 m located 0.85 m from the floor, centred in width and 0.1 m from the wall.
LED	4 Ft module 	2 Ft module 	General and reading lighting combined
Consumption	42,2 W	20,8W	63 W
Average lighting	138 lx	302 lx	410 lx

Lighting power

Lighting	Modules power	Types of sources	Color temperature	Luminous Flux ⁽¹⁾	Consumption	System Efficiency	Driver(s)
General lighting	35,9 W (4 Ft)	LED	3000 K 4000 K	5965 lm	42,2 W	141,4 lm/W	Fixed / DALI
	44,3 W (5 Ft)	LED	3000 K 4000 K	7390 lm	51,5 W	143,6 lm/W	Fixed / DALI
General lighting (Dynamic lighting)	47,2 W (4 Ft)	LED	2700 K to 6500 K	6200 lm	54 W	114,8 lm/W	DALI
Reading lighting	17,7 W (2Ft)	LED	3000 K 4000 K	2850 lm	20,8 W	137 lm/W	Fixed / DALI
Night light	1 x 3,1 W	LED	3000 K	292 lm	3,3 W	89,8 lm/W	Fixed

- Luminous flux maintenance factor : L80B10 to 60 000 hours
- MacAdam Ellipse: 3 SDCM
- LED sources photobiological risk : GP1

⁽¹⁾ All the luminous flux indicated in the brochure are based on the flux of the LED modules also known as system flux.

Luminaire output flux = (Module flux) x (optical efficiency), the optical efficiency of the luminaire is indicated in the Eulumdat file (LDT line 23) available for download on our website or on request.

Dynamic Lighting



The AXIS wall lighting unit is available with dynamic lighting.

For more information, please see page 302.





Design and Ergonomics The HI-BEAM bed head unit features an innovative aesthetic design. Its curved shape is unique in the market.

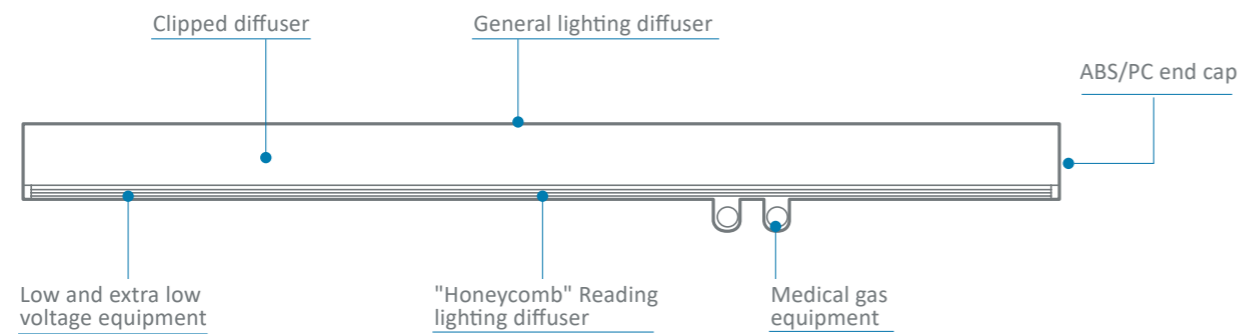
LED sources of HI-BEAM bed head unit provide excellent energy performance.

Medical gas casing Gas casing are available with or without cap. They are perfectly integrated into the design of the bed head unit, with easy access for the care team.

HI-BEAM

The HI-BEAM is a customizable product offering an innovative, ultra-modern design. With its unique shape, it blends perfectly into normal care rooms.

Front view



Cross-section



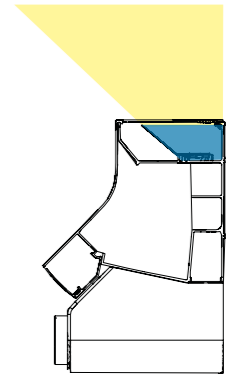
Colours

	White RAL 9016	Grey RAL 7035	Grey RAL 7004	Grey RAL 9006	Black RAL 7022	Bronze
Aluminum profile	●			●		●
Medical gas casing	●		●		●	
Caps	●		●			
End caps	●	●			●	

The HI-BEAM bed head unit incorporates anti-glare reading lighting with honeycomb diffuser. The quality of the light promotes the comfort and well-being of patients and healthcare professionals.

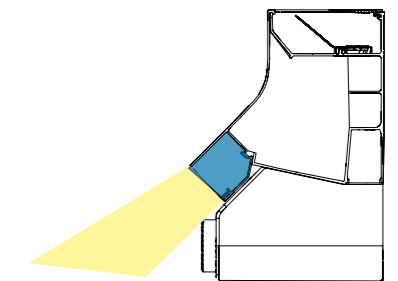
General lighting

- Extruded clear anti-UV treated polycarbonate diffuser with asymmetric grooves
- MIRO 20 SILVER® aluminum reflector



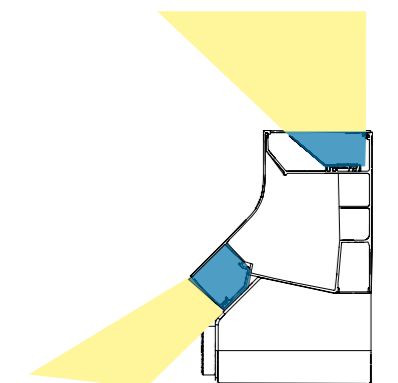
Reading lighting

- Extruded opal anti-UV treated polycarbonate diffuser with asymmetric grooves
- MIRO 20 SILVER® aluminum reflector



Caring lighting

Caring lighting combines direct (reading) lighting with indirect (general) lighting.



Lighting power

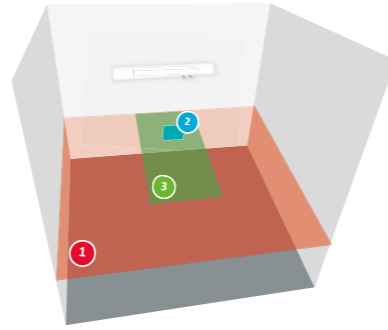
Lighting	Modules power	Types of sources	Color temperature	Luminous Flux ⁽¹⁾	Consumption	System Efficiency	Driver(s)
General lighting	35,9 W (4 Ft)	LED	3000 K 4000 K	5965 lm	42,2 W	141,4 lm/W	Fixed / DALI
General lighting (Dynamic lighting)	47,2 W (4 Ft)	LED	2700 K to 6500 K	6200 lm	54 W	114,8 lm/W	DALI
Reading lighting	16,1 W (2 Ft)	LED	3000 K 4000 K	2850 lm	20,8 W	137 lm/W	Fixed / DALI
Night light	1 x 3,1 W	LED	3000 K	292 lm	3,3 W	89,8 lm/W	Fixed

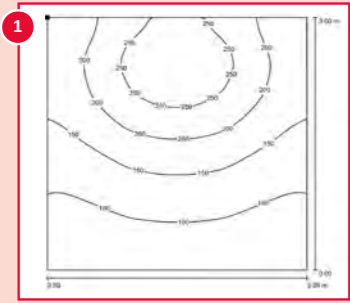
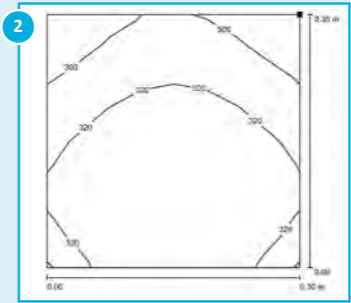
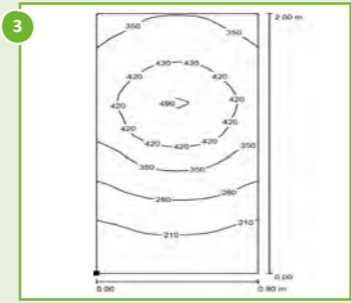
- Luminous flux maintenance factor : L80B10 to 60 000 hours
- MacAdam Ellipse: 3 SDCM
- LED sources photobiological risk : GP1

EFFICIENT LIGHTING

Lighting study

- Standard room
- Dimensions of the room: 3 m x 3 m, ceiling clearance 2.5 m
- Reflection coefficients: ceiling 7, walls 5, and floor 3
- Coefficient of depreciation 0.83



	General lighting Virtual general lighting plane of a surface equal to the one of the room, located 0.85 m above the floor (3 m x 3 m for a single room).	Reading lighting Virtual reading plane 0.3 m x 0.3 m inclined at 75° located 1.1 m from the floor and 1 m from the wall where the unit is located.	Caring lighting Virtual examination plane 2 m x 0.9 m located 0.85 m from the floor, centred in width and 0.1 m from the wall.
LED	4 ft module 	2 ft module 	General and reading lighting combined 
Consumption	42,2 W	20,8 W	63 W
Average lighting	167 lx	328 lx	334 lx

⁽¹⁾ All the luminous flux indicated in the brochure are based on the flux of the LED modules also known as system flux.

Luminaire output flux = (Module flux) x (optical efficiency), the optical efficiency of the luminaire is indicated in the Eulumdat file (LDT line 23) available for download on our website or on request.

Dynamic Lighting



The HI-BEAM bed head unit is available with dynamic lighting.
For more information please see page 304.



Easy maintenance MEDIVA's separate compartment for medical gas provides quick and easy access for installation and maintenance. The bed head unit can be installed quickly in just three steps, saving time and manpower.

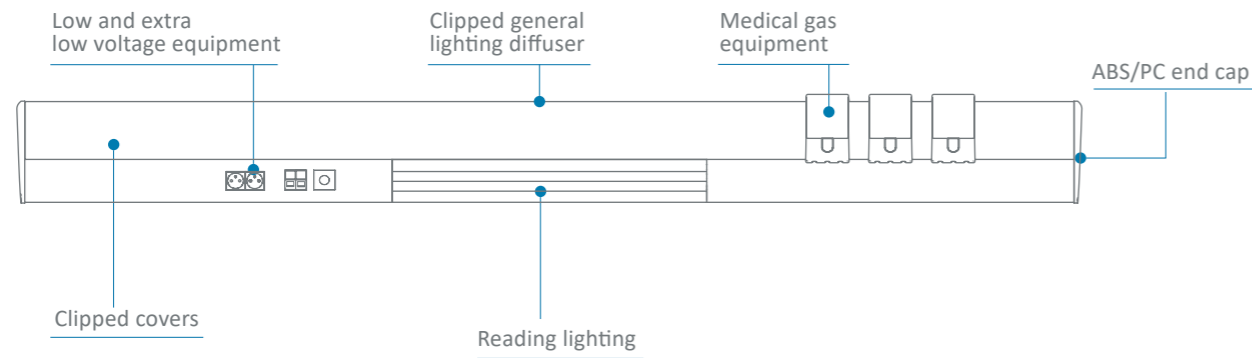
Design & Ergonomics MEDIVA's electrical devices are ideally positioned, with easy access for patients and care staff. The bed head unit has smooth surfaces, making it easy to clean.

Personalisation Gas casing are available in seven colours, to match with the decor of normal care rooms.

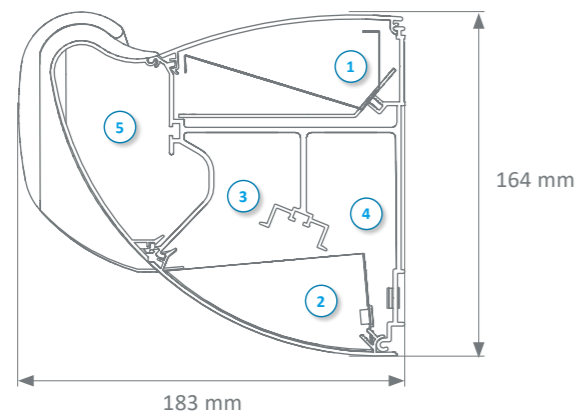


MEDIVA

Front view



Cross-section



- 1 General and Night light compartment
- 2 Reading lighting compartment
- 3 Low voltage compartment
- 4 Extra low voltage compartment
- 5 Medical gas compartment

Colours

	WHITE RAL 9016	GREY RAL 9006	GREY RAL 7040	BLUE RAL DESIGN 260 80 15
Aluminum profile	●	●		
End caps	●	●		
Gas casing	●		●	●

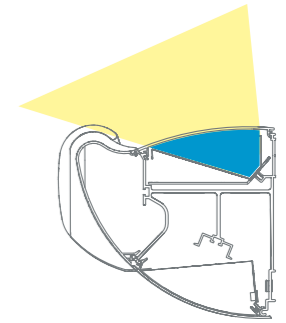
3 gas casings, to match the MEDIVA with the decor of your normal care rooms.



The optics of the MEDIVA allow optimum control of the lighting, favouring the well-being of care teams and patients.

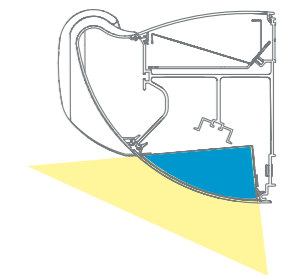
General lighting

- Clear polycarbonate diffuser opal with anti-UV treatment
- MIRO 20 SILVER® aluminium reflector



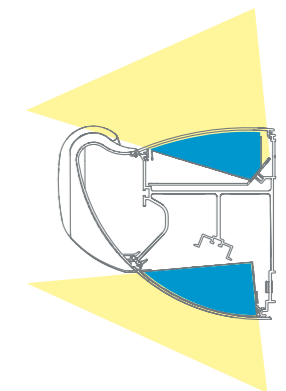
Reading lighting

- Opal polycarbonate diffuser with anti-UV treatment
- MIRO 20 SILVER® aluminium reflector



Caring lighting

Caring lighting combines direct (reading) lighting with indirect (general) lighting.



Lighting power

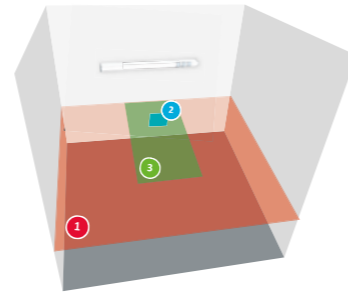
Lighting	Modules power	Types of sources	Color temperature	Luminous Flux ⁽¹⁾	Consumption	System Efficiency	Driver(s)
General lighting	35,9 W (4 Ft)	LED	3000 K 4000 K	5965 lm	42,2 W	141,4 lm/W	Fixed / DALI
	44,3 W (5 Ft)	LED	3000 K 4000 K	7390 lm	51,5 W	143,6 lm/W	Fixed / DALI
Reading lighting	9,8 W (2 Ft)	LED	3000 K 4000 K	1756 lm	11,8 W	149,2 lm/W	Fixed / DALI
Night light	1 x 3,1 W	LED	3000 K	292 lm	3,3 W	89,8 lm/W	Fixed

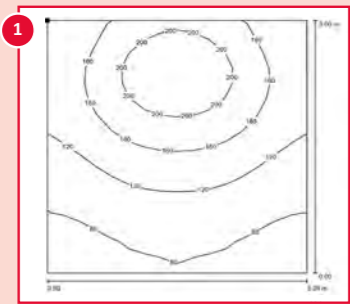
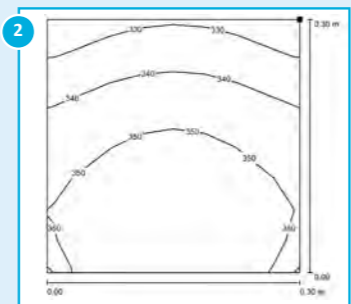
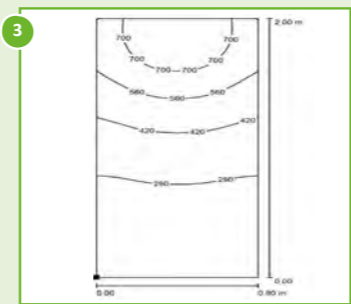
- Luminous flux maintenance factor : L80B10 to 60 000 hours
- MacAdam Ellipse: 3 SDCM
- LED sources photobiological risk : GP1

EFFICIENT LIGHTING

Lighting study

- Standard room
- Dimensions of the room: 3 m x 3 m, ceiling clearance 2.5 m
- Reflection coefficients: ceiling 7, walls 5, and floor 3
- Coefficient of depreciation 0.83



	General lighting Virtual general lighting plane of a surface equal to the one of the room, located 0.85 m above the floor (3 m x 3 m for a single room).	Reading lighting Virtual reading plane 0.3 m x 0.3 m inclined at 75° located 1.1 m from the floor and 1 m from the wall where the unit is located.	Caring lighting Virtual examination plane 2 m x 0.9 m located 0.85 m from the floor, centred in width and 0.1 m from the wall.
LED	4 Ft module 	2 Ft module 	General and reading lighting combined 
Consumption	42,2 W	11,8 W	54 W
Average lighting	140 lx	325 lx	423 lx

⁽¹⁾ All the luminous flux indicated in the brochure are based on the flux of the LED modules also known as system flux.

Luminaire output flux = (Module flux) x (optical efficiency), the optical efficiency of the luminaire is indicated in the Eulumdat file (LDT line 23) available for download on our website or on request.





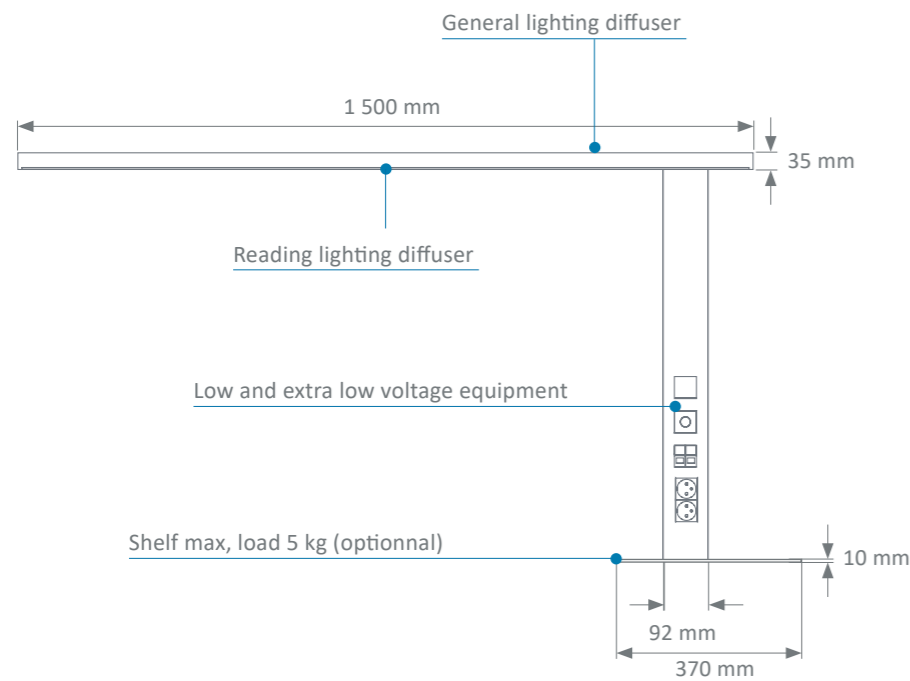
Design & Ergonomics The pure form and finesse of the LYSA wall lighting unit make it discreet in normal care room. Low and extra low voltage equipment, integrated to the duct, are within easy reach of the users.

Innovation Available in LED version, LYSA wall lighting unit has an efficient and comfortable optical system for patients and caregivers. Integration of dynamic lighting simulating a 24 hours light cycle, will be helpful for the patient well-being.

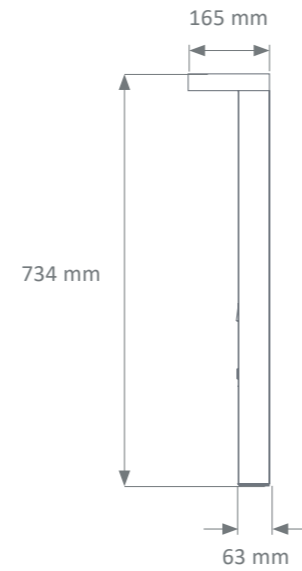
LYSA

Front view

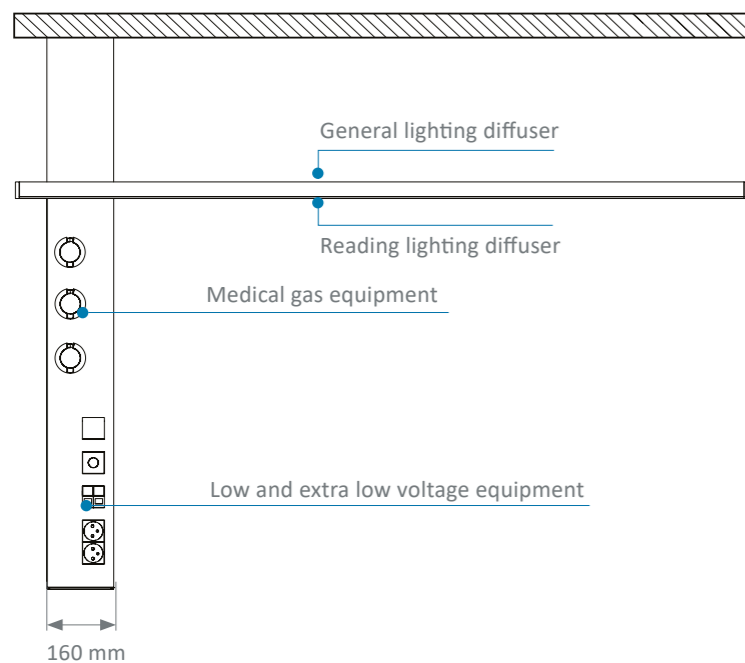
LYSA with electrical equipment



Side view

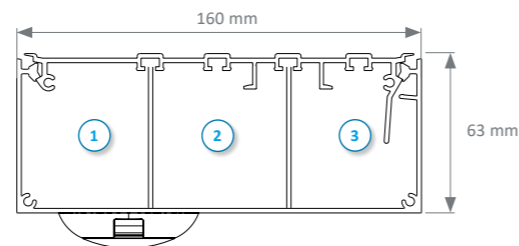


LYSA with electrical and medical gas equipment



Cross-section

- ① Medical gas compartment
- ② Low voltage compartment
- ③ Extra low voltage compartment



Colours



The LYSA bed head unit is ideal for rest homes, retirement homes, and nursing homes. The quality of the light promotes the comfort and well-being of patients and healthcare professionals.

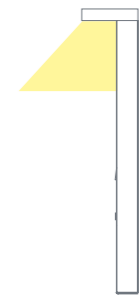
General lighting

- Clear polycarbonate indirect diffuser
- MIRO 20 Silver® Aluminum reflector



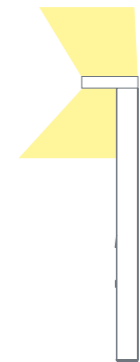
Reading lighting

- Satin-finish polycarbonate direct diffuser
- MIRO 20 Silver® Aluminum reflector



Caring lighting

Caring lighting combines direct (reading) lighting with indirect (general) lighting.



Lighting power

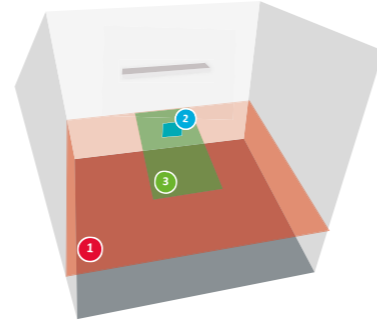
Lighting	Modules power	Color Temperature	Luminous Flux ⁽¹⁾	Consumption	System Efficiency	Driver(s)	Efficiency energy class IRC 80	Efficiency energy class IRC 90
General lighting	28,7 W (3 Ft)	3000 K 4000 K	5039 lm (length 1050 mm)	33,2 W	151,9 lm/W	Fixed / DALI	A ↑ G C	A ↑ G D
	35,3 W (4 Ft)	3000 K 4000 K	6255 lm (length 1300 mm)	40,8 W	153,4 lm/W	Fixed / DALI	A ↑ G C	A ↑ G D
General lighting (Dynamic lighting)	38,9 W (3 Ft)	2700 K to 6500 K	5000 lm	44,9 W	111,4 lm/W	DALI		A ↑ G E
	47,2 W (4 Ft)	2700 K to 6500 K	6200 lm	54 W	114,8 lm/W	DALI		A ↑ G E
Reading lighting	8,9 W (2 Ft)	3000 K 4000 K	1710 lm	10,8 W	158,8 lm/W	Fixed / DALI	A ↑ G C	A ↑ G D
Night light	3,1 W	3000 K	292 lm	3,3 W	89,8 lm/W	Fixed		A ↑ G D

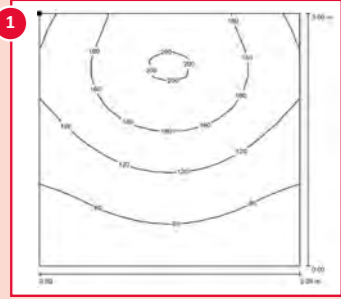
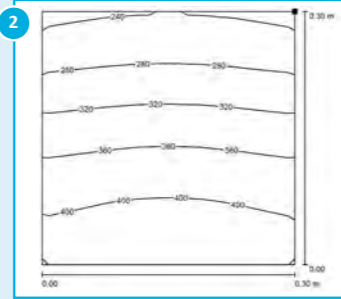
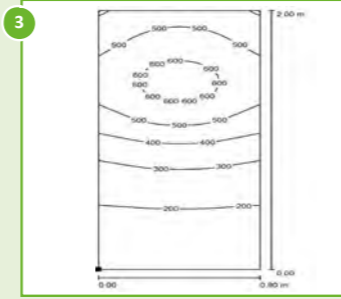
- Luminous flux maintenance factor : L80B10 to 60 000 hours
- MacAdam Ellipse: 3 SDCM
- LED sources photobiological risk : GP1

EFFICIENT LIGHTING

Lighting study

- Standard room
- Dimensions of the room: 3 m x 3 m, ceiling clearance 2.5 m
- Reflection coefficients: ceiling 7, walls 5, and floor 3
- Coefficient of depreciation 0.83



LED	General lighting	Reading lighting	Caring lighting
	Virtual general lighting plane of a surface equal to the one of the room, located 0.85 m above the floor (3 m x 3 m for a single room).	Virtual reading plane 0.3 m x 0.3 m inclined at 75° located 1.1 m from the floor and 1 m from the wall where the light fitting is mounted.	Virtual examination plane 2 m x 0.9 m located 0.85 m from the floor, centred in width and 0.1 m from the wall.
	3 Ft module	2 Ft module	General and reading lighting combined
			
Consumption	33,2 W	10,8 W	44 W
Average lighting	132 lx	348 lx	397 lx



LYSA with electrical and medical gas equipment

Dynamic Lighting



The LYSA vertical bed head unit is available with dynamic lighting.
For more information please see page 304.

⁽¹⁾ All the luminous flux indicated in the brochure are based on the flux of the LED modules also known as system flux.

Luminaire output flux = (Module flux) x (optical efficiency), the optical efficiency of the luminaire is indicated in the Eulumdat file (LDT line 23) available for download on our website or on request.



LYSA equipped with a shelf



LYSA with electrical and medical gas equipment

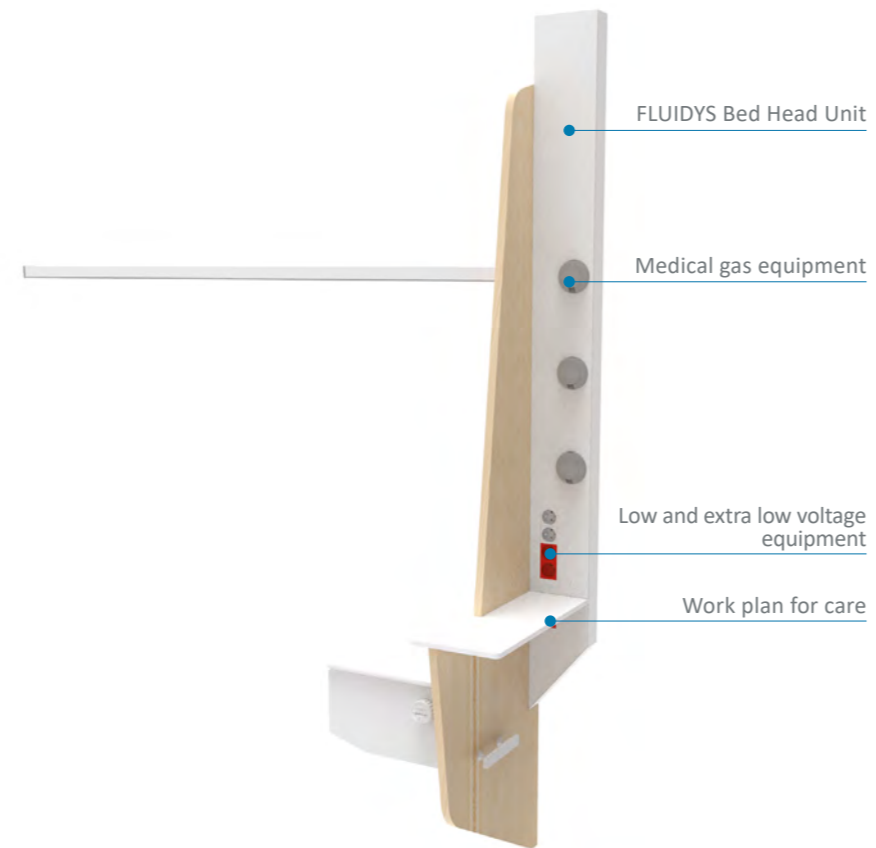
Design & Ergonomics The configuration of the Cocoon set apart the patient space from the medical atmosphere. The bedside table integrated to the bed head unit is suspended for easy floor cleaning. One ergonomic drawer is included for easy access when patient is lying down.

Innovation Available in LED version, LYSA wall lighting unit has an efficient and comfortable optical system for patients and hospital staff. Integration, as option, of dynamic lighting simulating a 24 hours light cycle, will be helpful for the patient well-being.

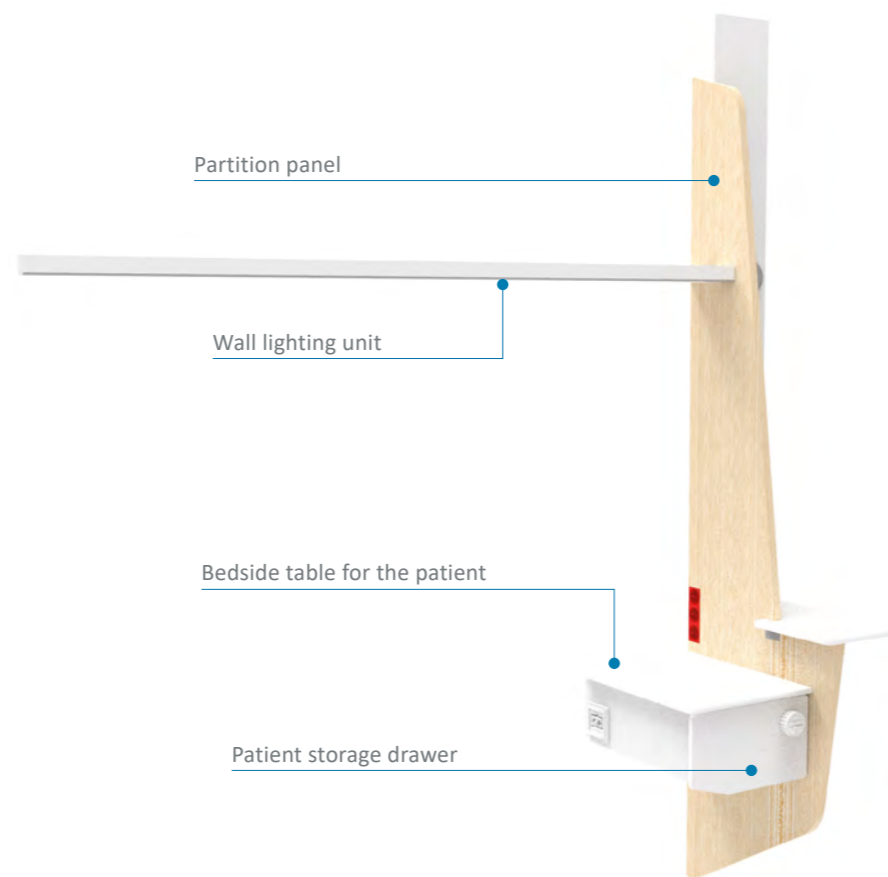
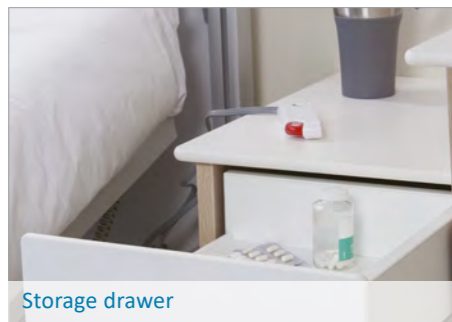


COCOON

Nursing side



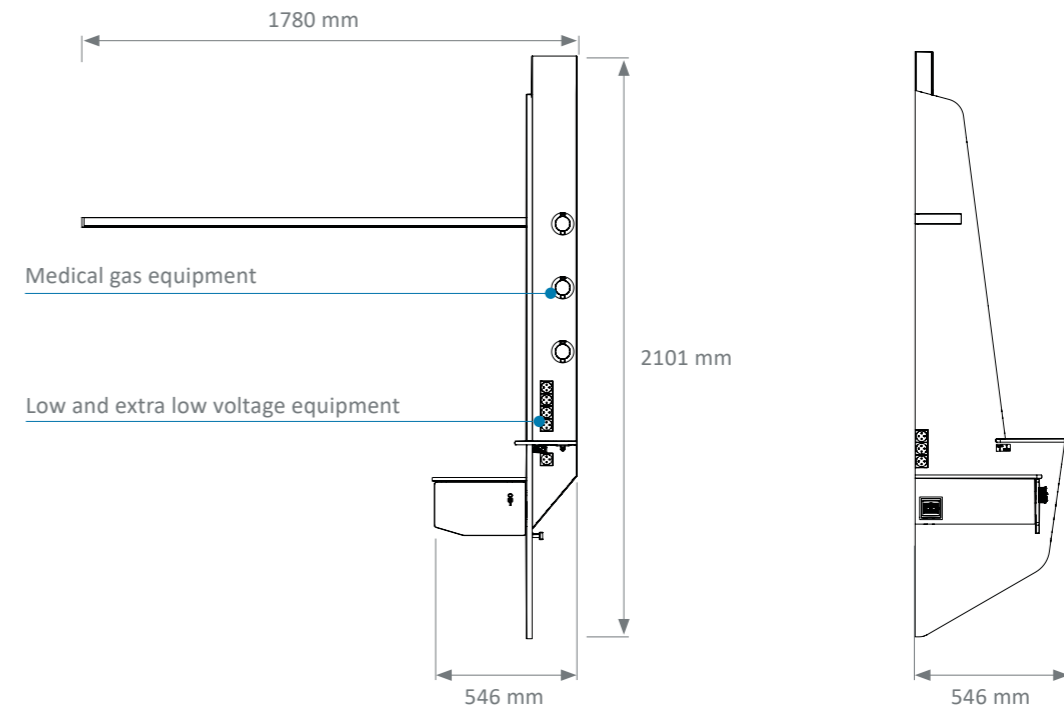
Patient side



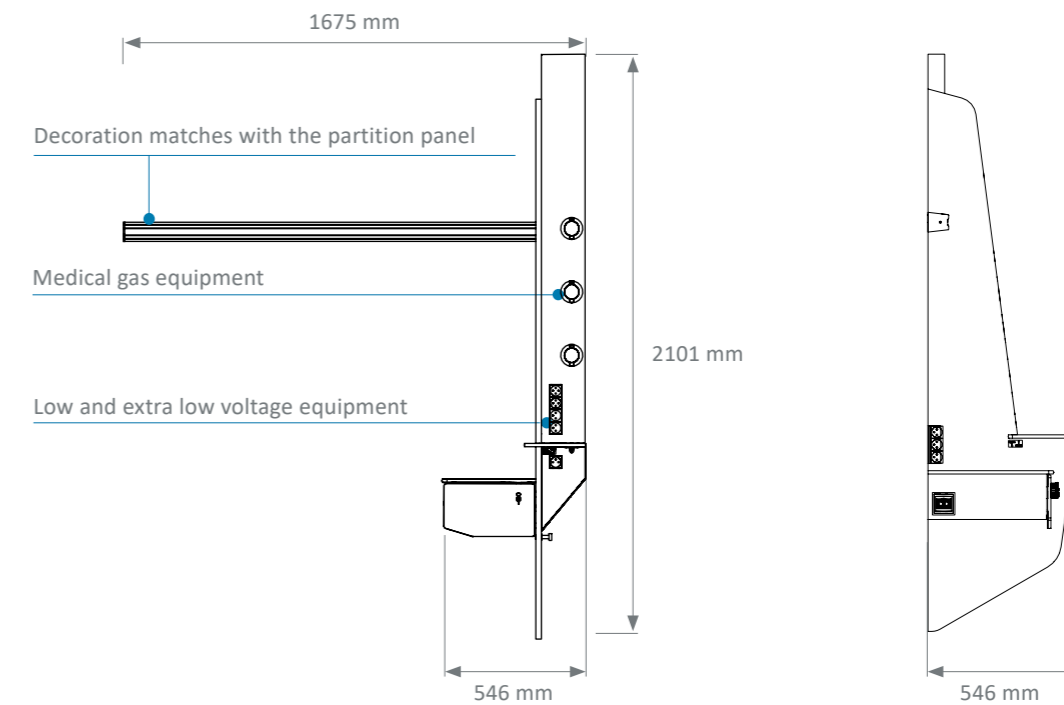
Front view

Side view

COCOON with LYSA lighting unit (standard)



COCOON with APPLIED lighting unit (option)



Colors

	GREY RAL 9006	GREY RAL 9007	WHITE RAL 9016
Wall lighting unit and cover	●	●	●
Aluminum profile	●		●
Panel	SEE PAGE 302 FROM CATALOGUE		

CONTROLLED LIGHTING

The COCOON concept is ideal for all type of health institution. The quality of the light promotes the comfort and well-being of patients and healthcare professionals.

General lighting

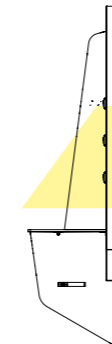
- Clear satin-finish PMMA* diffuser with anti-UV treatment
- MIRO 20 Silver® Aluminum reflector



*PMMA: Polymethyl methacrylate

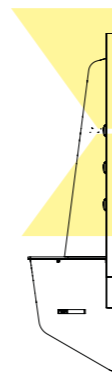
Reading lighting

- Satin-finish polycarbonate direct diffuser
- MIRO 20 Silver® Aluminum reflector



Caring lighting

Caring lighting combines direct (reading) lighting with indirect (general) lighting.



Lighting power

COCOON with LYSA lighting unit

Lighting	Modules power	Types of sources	Color temperature	Luminous Flux ⁽¹⁾	Consumption	System Efficiency	Driver(s)
General lighting	28,7 W (3 Ft)	LED	3000 K 4000 K	5039 lm (length 1050 mm)	33,2 W	151,9 lm/W	Fixed / DALI
	35,3 W (4 Ft)	LED	3000 K 4000 K	6255 lm (length 1300 mm)	40,8 W	133,4 lm/W	Fixed / DALI
General lighting (Dynamic lighting)	38,9 W (3 Ft)	LED	2700 K to 6500 K	5000 lm	44,9 W	111,4 lm/W	DALI
	47,2 W (4 Ft)	LED	2700 K to 6500 K	6200 lm	54 W	114,8 lm/W	DALI
Reading lighting	8,9 W (2 Ft)	LED	3000 K 4000 K	1710 lm	10,8 W	158,8 lm/W	Fixed / DALI
Night light	3,1 W	LED	3000 K	292 lm	3,3 W	89,8 lm/W	Fixed

EFFICIENT LIGHTING

Lighting power

COCOON with APPLIED lighting unit (variant)

Lighting	Modules power	Types of sources	Color temperature	Luminous Flux ⁽¹⁾	Consumption	System Efficiency	Driver(s)
General lighting	35,97 W (5 Ft)	LED	3000 K 4000 K	6775 lm (length 1600 mm)	42,97 W	158 lm/W	Fixed / DALI
Reading lighting	12,85 W (4 Ft)	LED	3000 K 4000 K	2637 lm (length 1600 mm)	17,83 W	147,9 lm/W	Fixed / DALI
Night light	3,1 W	LED	3000 K	335 lm	4,9 W	68,4 lm/W	Fixed

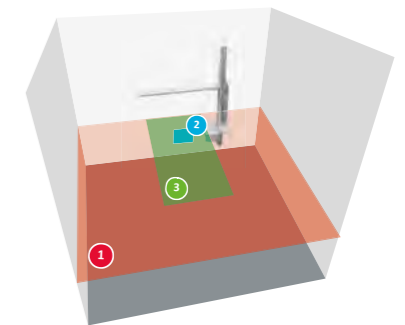
- Luminous flux maintenance factor : L80B10 to 60 000 hours
- MacAdam Ellipse: 3 SDCM
- LED sources photobiological risk : GP1

⁽¹⁾ All the luminous flux indicated in the brochure are based on the flux of the LED modules also known as system flux.

Luminaire output flux = (Module flux) x (optical efficiency), the optical efficiency of the luminaire is indicated in the Eulumdat file (LDT line 23) available for download on our website or on request.

Lighting study

- Standard room
- Dimensions of the room: 3 m x 3 m, ceiling clearance 2.5 m
- Reflection coefficients: ceiling 7, walls 5, and floor 3
- Coefficient of depreciation 0.83



General lighting

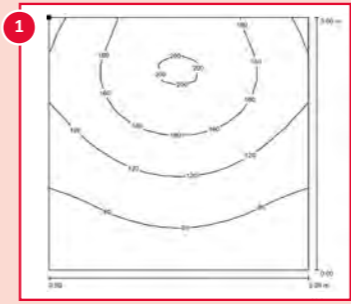
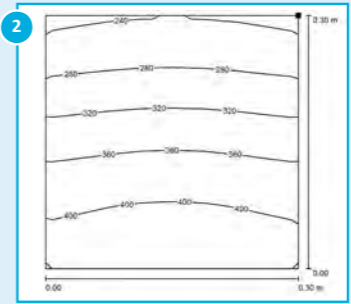
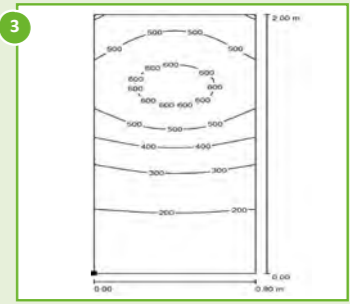
Virtual general lighting plane of a surface equal to the one of the room, located 0.85 m above the floor (3 m x 3 m for a single room).

Reading lighting

Virtual reading plane 0.3 m x 0.3 m inclined at 75° located 1.1 m from the floor and 1 m from the wall where the light fitting is mounted.

Caring lighting

Virtual examination plane 2 m x 0.9 m located 0.85 m from the floor, centred in width and 0.1 m from the wall.

LED	3 ft module	2 ft module	General and reading lighting combined
			
Consumption	33,2 W	10,8 W	44 W
Average lighting	132 lx	348 lx	397 lx

Dynamic Lighting



The COCOON bed head unit is available with dynamic lighting.

For more information, please see page 304.





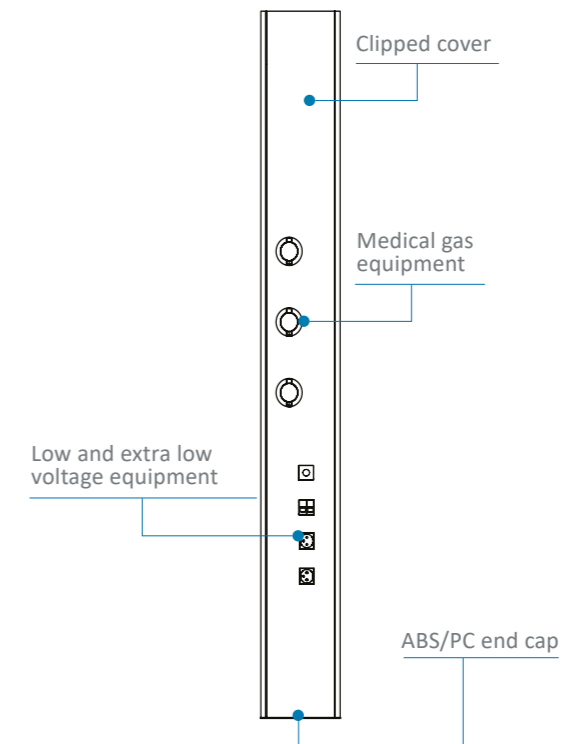
VERTICAL BED HEAD UNITS ASSOCIATED WITH WALL LIGHTING UNIT

FLUIDYS	p.58
FLUIDYS DEMI COLONNE	p.62
SIMPLE-CARE	p.68
SILEA	p.70



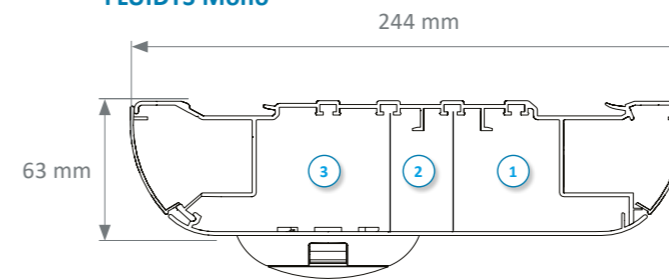
FLUIDYS

Front view

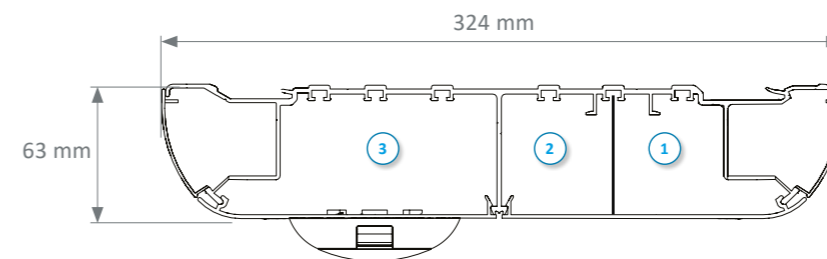


Cross-section

FLUIDYS Mono



FLUIDYS Duo



- ① Extra low voltage compartment
- ② Low voltage compartment
- ③ Medical gas compartment

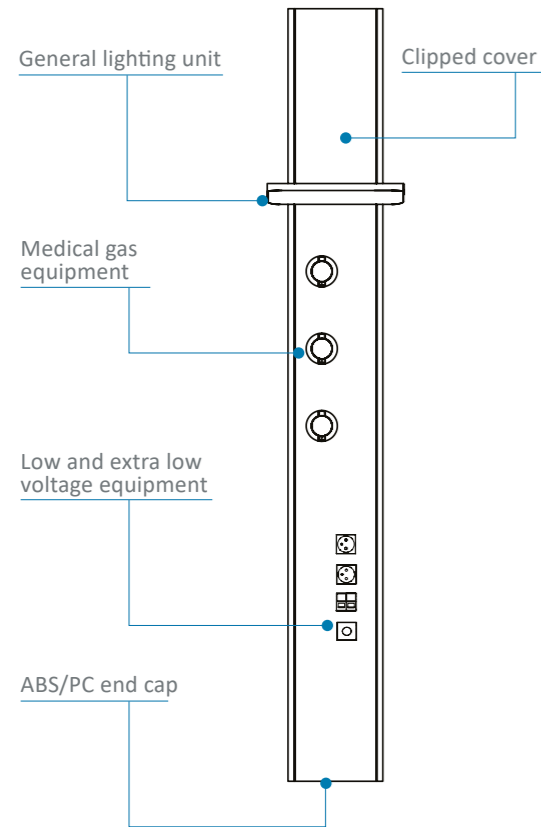
Colours

	White RAL 9016	Grey RAL 7040	Grey RAL 9006
Aluminum profile	●		●
Medical gas casing	●	●	
End caps	●	●	

AS OPTION: VERTICAL BED HEAD UNIT WITH LUMIA LIGHTING UNIT

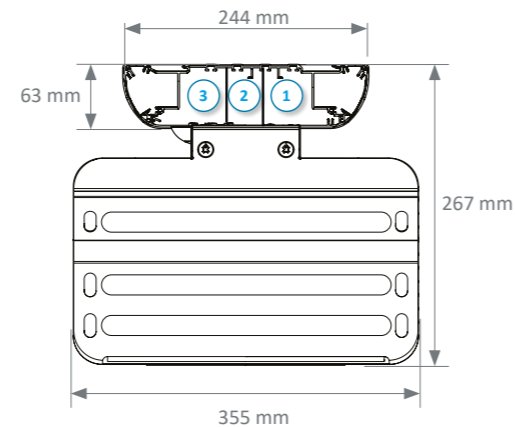
The FLUIDYS bed head unit with LUMIA lighting unit offers many possible options for integrating electrical and medical gas equipment. It provides efficient, high-quality indirect lighting to contribute to the well-being of care teams and patients. LUMIA lighting unit is equipped with a clear glass diffuser with an aluminum reflector.

Front view

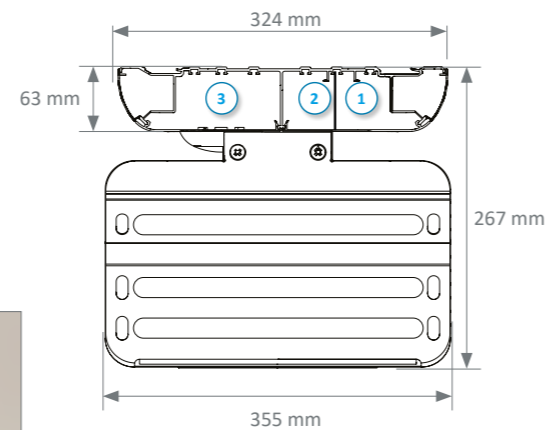


Cross-section

LUMIA Mono lighting unit



LUMIA Duo lighting unit



- ① Extra low voltage compartment
- ② Low voltage compartment
- ③ Medical gas compartment

Colours

	White RAL 9016	Grey RAL 9006
Lighting unit	●	●

Options

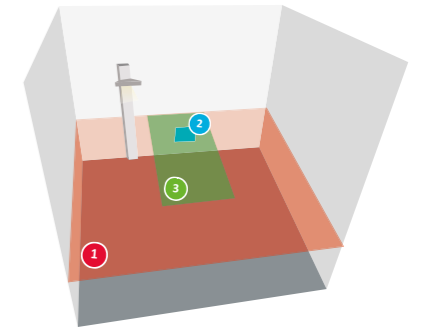
SPOT FLEX - E light

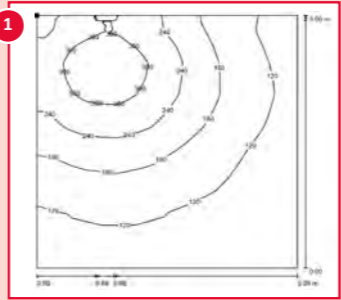
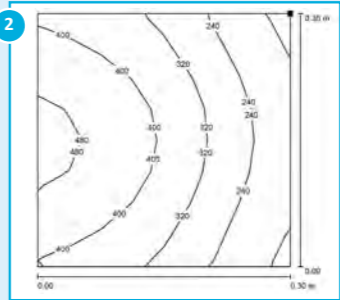
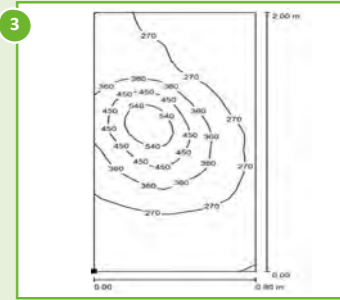


EFFICIENT LIGHTING

Lighting study for FLUIDYS bed head unit with LUMIA lighting unit

- Standard room
- Dimensions of the room: 3 m x 3 m, ceiling clearance 2.5 m
- Reflection coefficients: ceiling 7, walls 5, and floor 3
- Coefficient of depreciation 0.83



	General lighting	Reading lighting	Caring lighting
	Virtual general lighting plane of a surface equal to the one of the room, located 0.85 m above the floor (3 m x 3 m for a single room).	Virtual reading plane 0.3 m x 0.3 m inclined at 75° located 1.1 m from the floor and 1 m from the wall where the light fitting is mounted.	Virtual examination plane 2 m x 0.9 m located 0.85 m from the floor, centred in width and 0.1 m from the wall.
LED	3 ft module	1 ft module	General and reading lighting combined
			
Consumption	37,6 W	4,9 W	42,5 W
Average lighting	149 lx	339 lx	304 lx

Lighting power

Lighting	Modules power	Types of sources	Color Temperature	Luminous Flux ⁽¹⁾	Consumption	System Efficiency	Driver(s)
General lighting	32,3 W (3 Ft)	LED	3000 K 4000 K	5531 lm	37,6 W	147,3 lm/W	Fixed / DALI
Reading lighting	3,1 W (1 Ft)	LED	4000 K	335 lm	4,9 W	68,1 lm/W	Fixed

- Luminous flux maintenance factor : L80B10 to 60 000 hours
- MacAdam Ellipse: 3 SDCM
- LED sources photobiological risk : GP1

⁽¹⁾ All the luminous flux indicated in the brochure are based on the flux of the LED modules also known as system flux.

Luminaire output flux = (Module flux) x (optical efficiency), the optical efficiency of the luminaire is indicated in the Eulumdat file (LDT line 23) available for download on our website or on request.

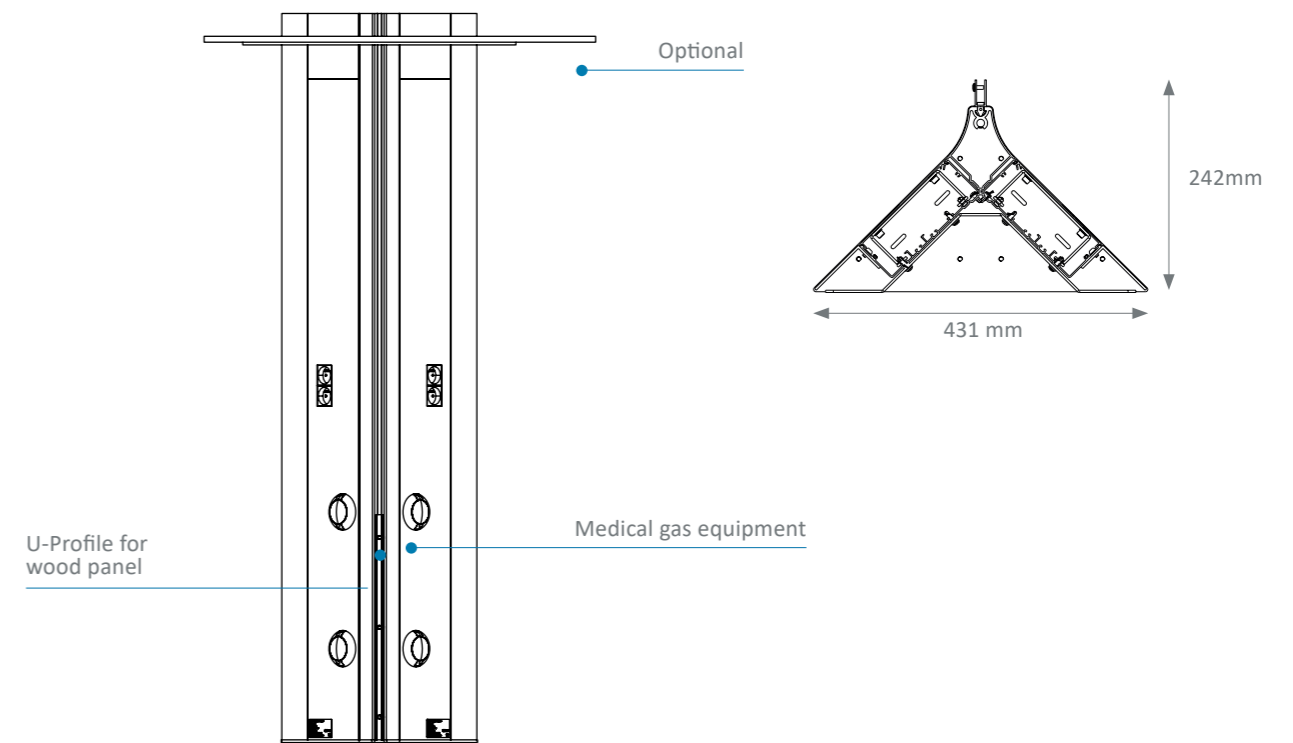
* Energy Efficiency Index

The ambulatory concept is manufactured with FLUIDYS suspended profiles to which wooden panels are attached. The custom-made design of the panels, in 10 mm HPL, ensures optimum stability. They can be cut to the size and shape of your choice*.

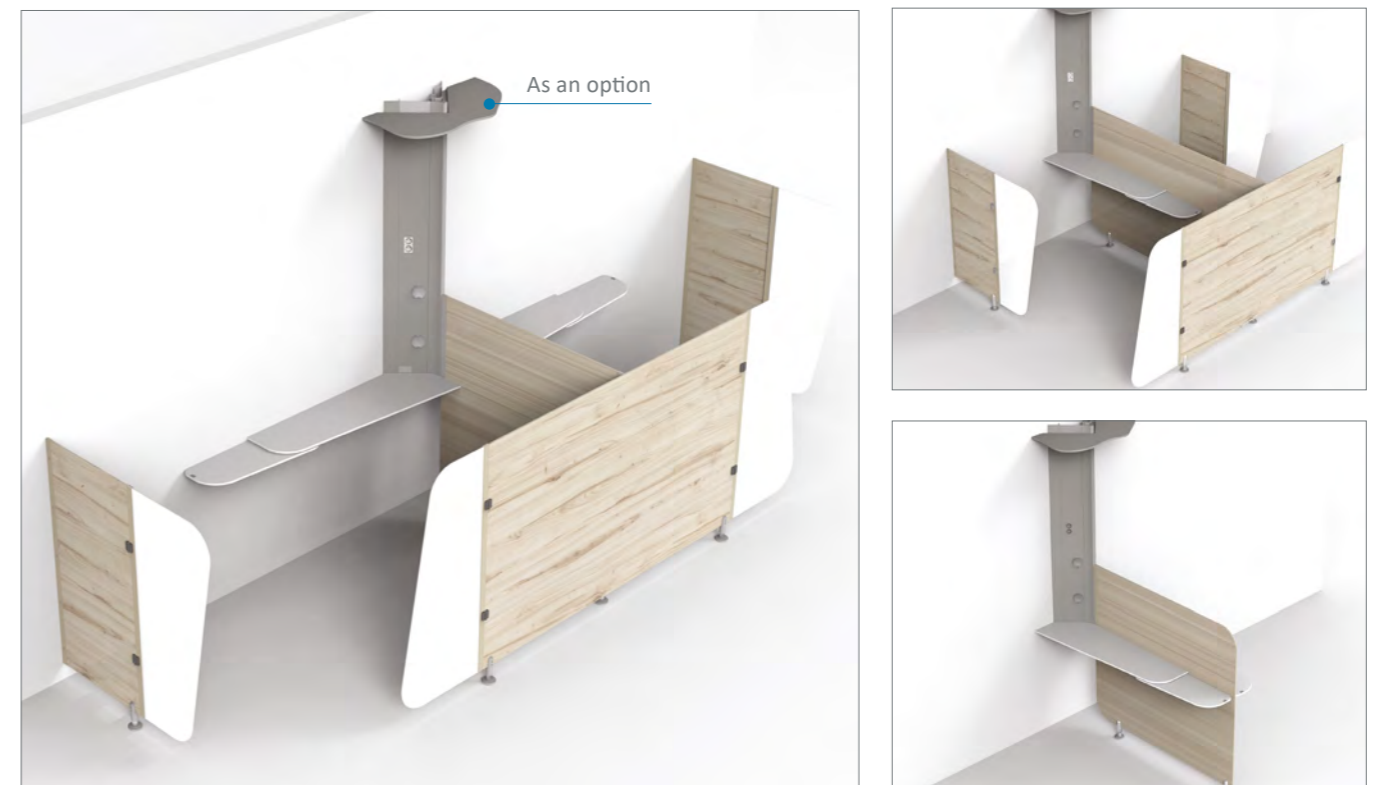
It is suspended from the ceiling and the partitions stand on feet to ensure optimal asepsis and easy cleaning.

Front view

Cross-section



Configuration examples



*Within the limit of the maximum dimension of the panel



FLUIDYS HALF WALL COLUMN FOR AMBULATORY USE

Hinged door (optional)



The hinged doors located on the partitions enhance privacy while contributing to the overall design of the space.

Rotating shelf (optional)



The custom-made rotating shelf allows you to arrange a tray for snack and/or the patient's personal effects.

FLEX-E LIGHT (optional)

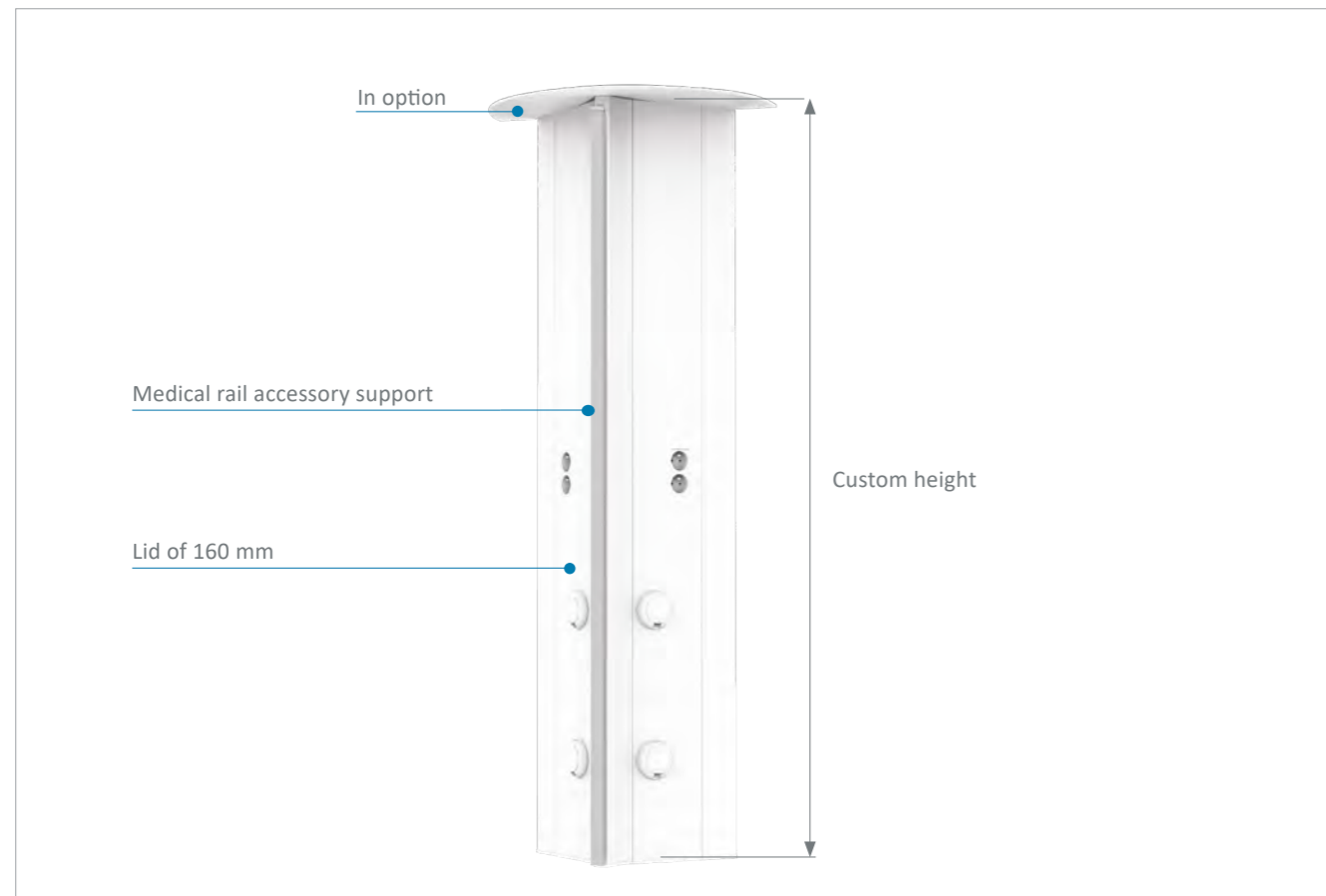


A spot makes it possible to discreetly integrate reading lighting on the bed head unit.

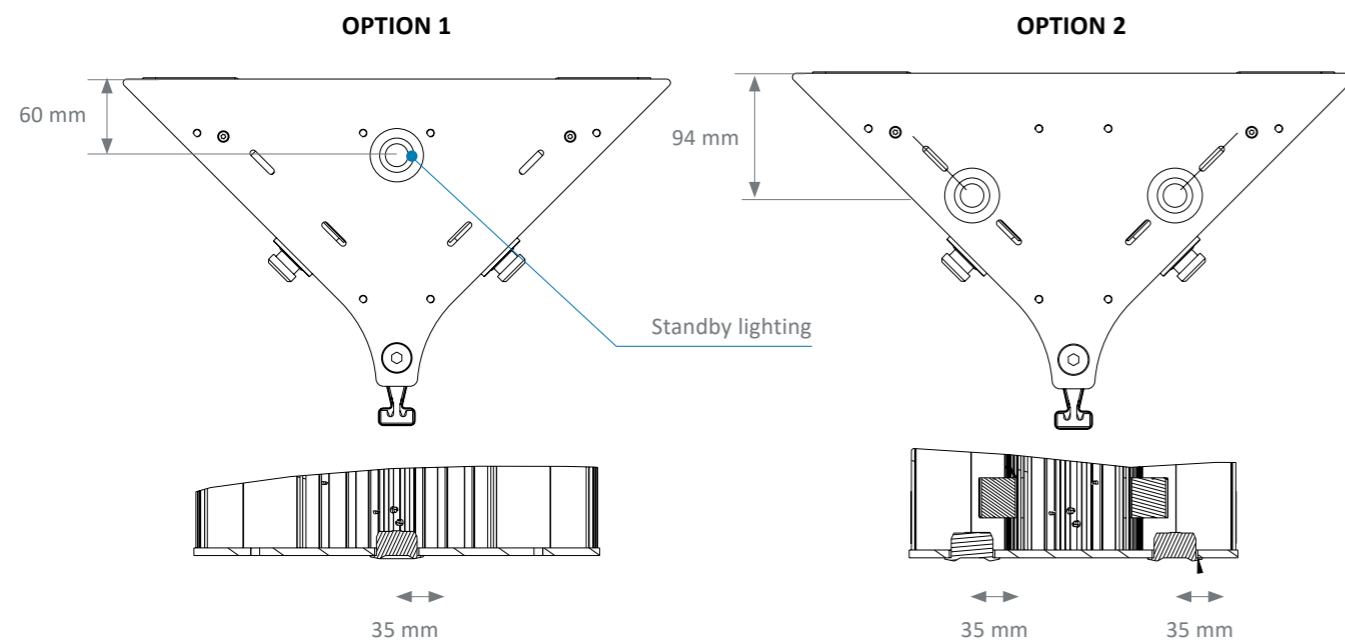


OPTION: FLUIDYS HALF-WALL COLUMN

The FLUIDYS column for technical trays has 2 faces. It can be fitted with or without an accessory rail, depending on requirements.



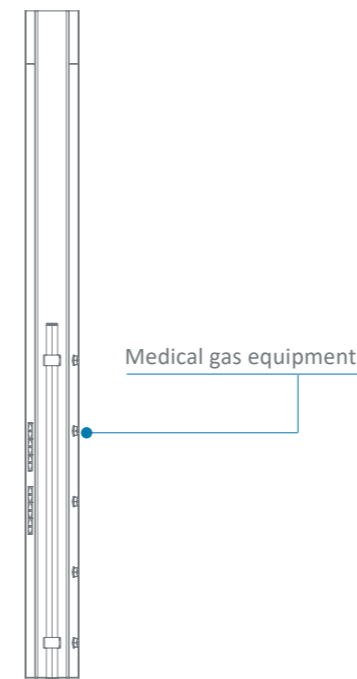
sectional view (Lid 160 cm)



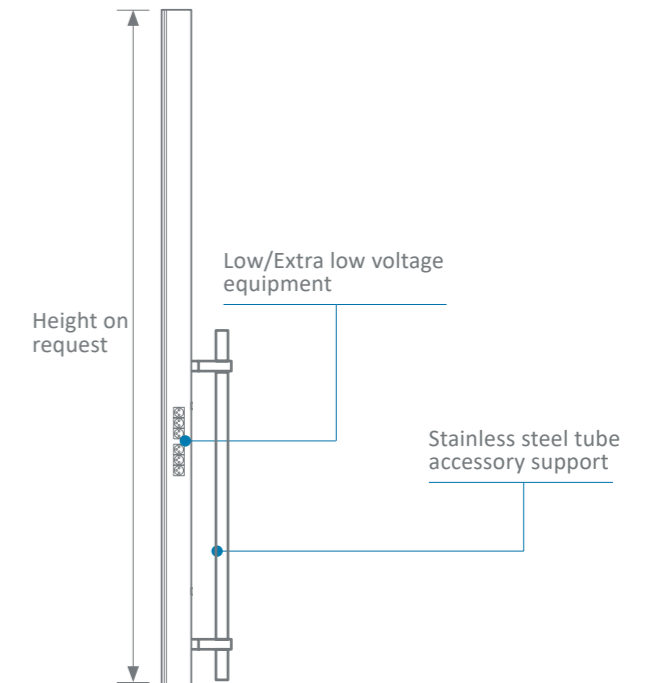


SIMPLE-CARE

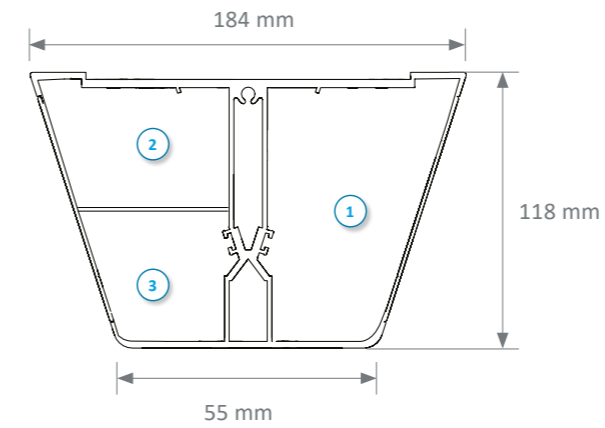
Front view



Side view



Cross-section



- ① Medical gas compartment
- ② Low voltage compartment
- ③ Extra low voltage compartment

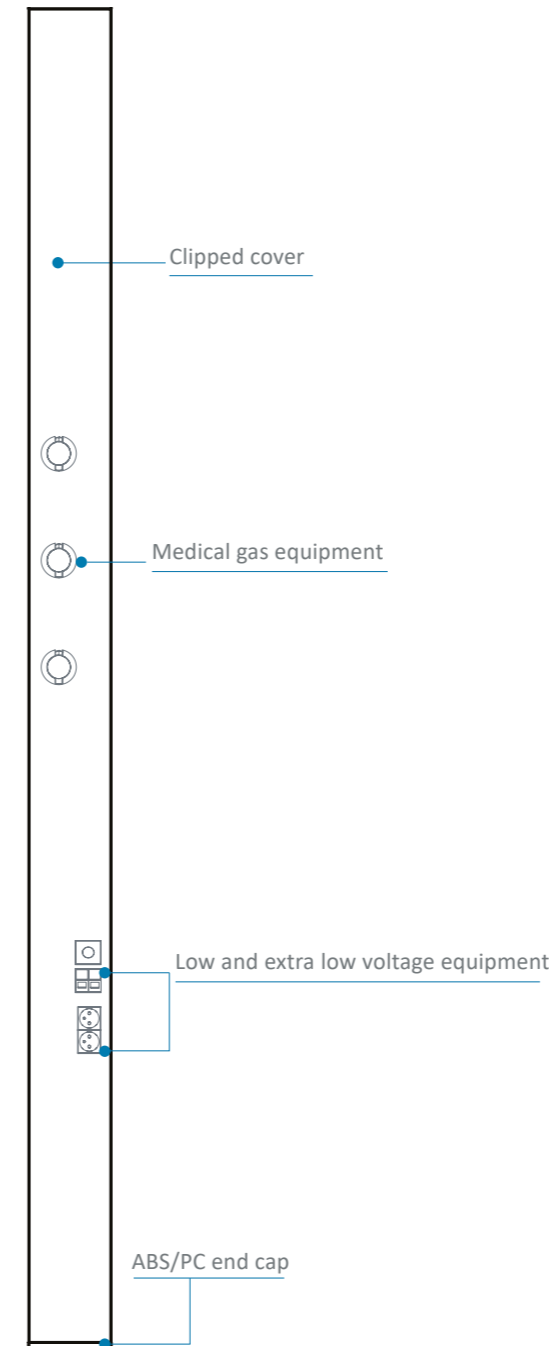
Colours

	White RAL 9016
SIMPLE-CARE	●

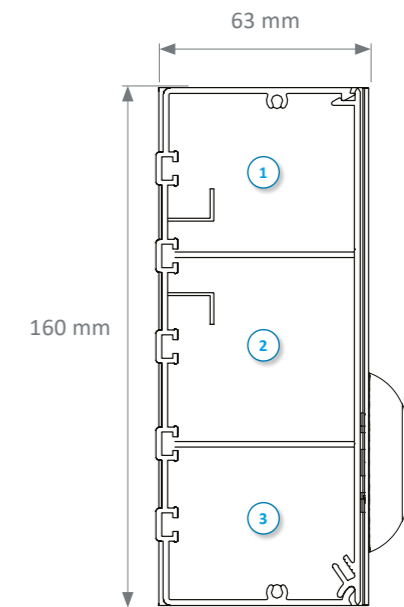


SILEA

Front view



Cross-section



- ① Extra low voltage compartment
- ② Low voltage compartment
- ③ Medical gas compartment

Colours

	White RAL 9016	Grey RAL 9006	Grey RAL 7040
Aluminum profile	●	●	
Medical gas casing	●		●
End caps	●		●

VERTICAL BED HEAD UNITS LIGHTING

Combined with a wall-mounted lighting unit from the TLV range, the FLUIDYS, SIMPLE-CARE and SILEA bed head units offer a comfortable and efficient lighting solution to contribute to the well-being of patients and healthcare professionals.



SILEA associated with LYSA wall lighting unit



FLUIDYS associated with GOODLIGHT LED wall lighting unit



SIMPLE-CARE associated with LINA wall lighting unit

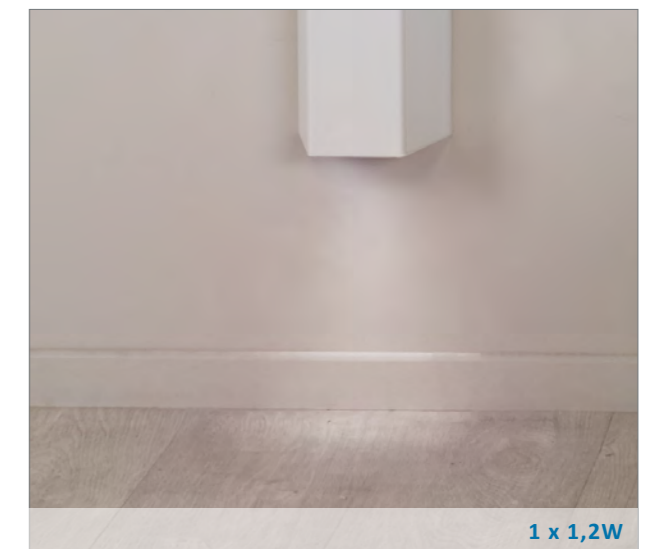
Optionnal lighting

Reading spot lamp FLEX-E LED (flexible stem grey).

LED night light built into the bottom end cap.



1 x 3,1 W



1 x 1,2W



ARCHITECTURAL CONCEPTS

GOODWOOD
GOODWOOD MOVE
MADEIRA

p.76
p.86
p.94



Custom design GOODWOOD's panels are fully customized (colours, materials, decorative film) and can match with the decor of any room.

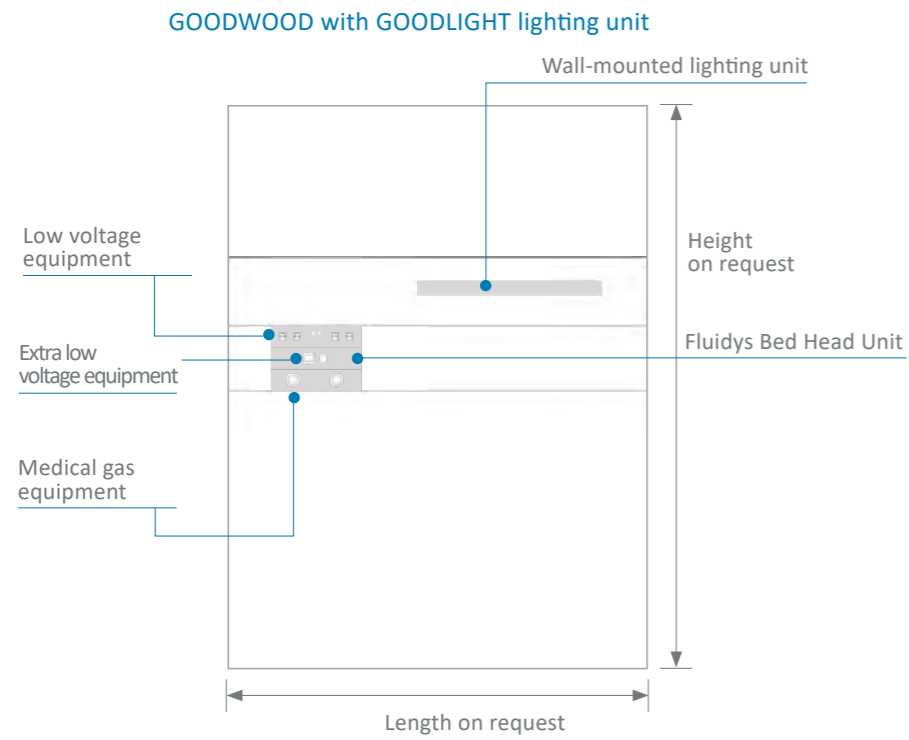
Lighting GOODWOOD allows you to have an individual wall-mounted lighting unit for each bed (GOODLIGHT) or an integrated cap incorporating the light sources.

GOODWOOD

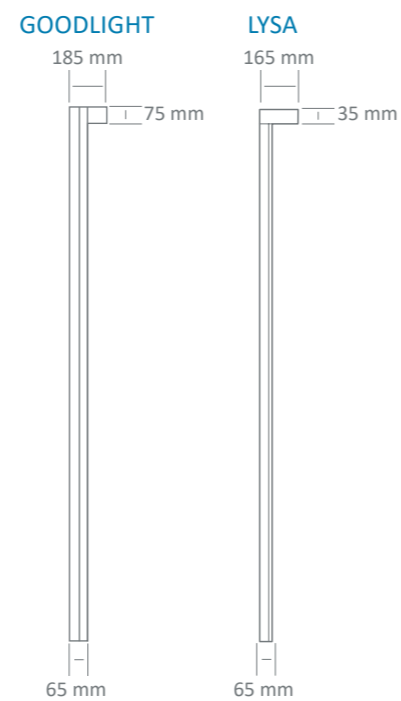
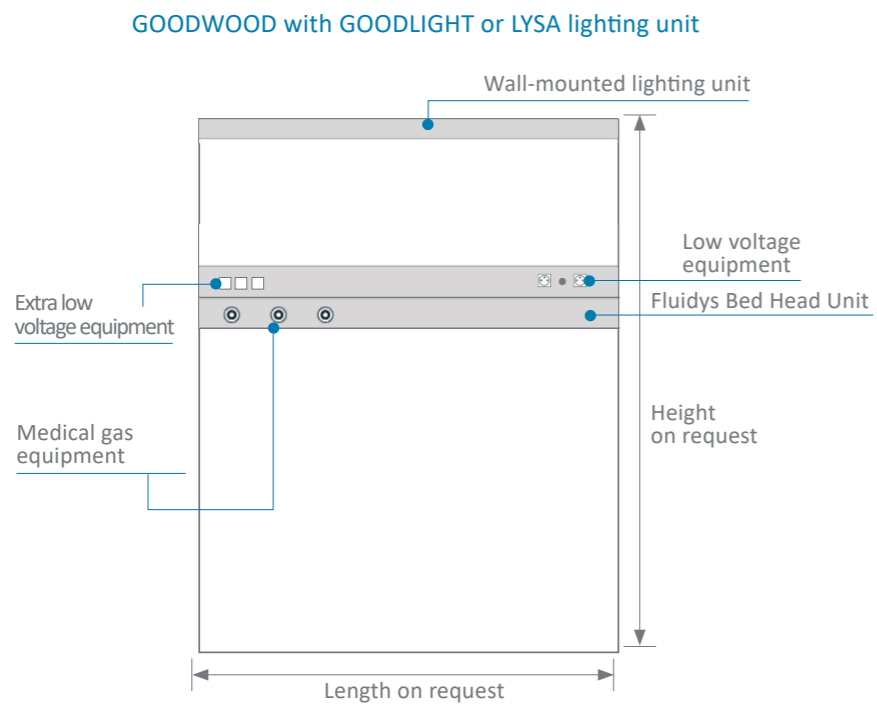
The GOODWOOD architectural concept offers many possible options for integrating electrical and medical gas equipment. Thanks to its slim profile, it is easy to integrate into your caring area. It can also be equipped with an optional stainless steel accessory mounting rail (25x10 mm).

1 bed standard configuration

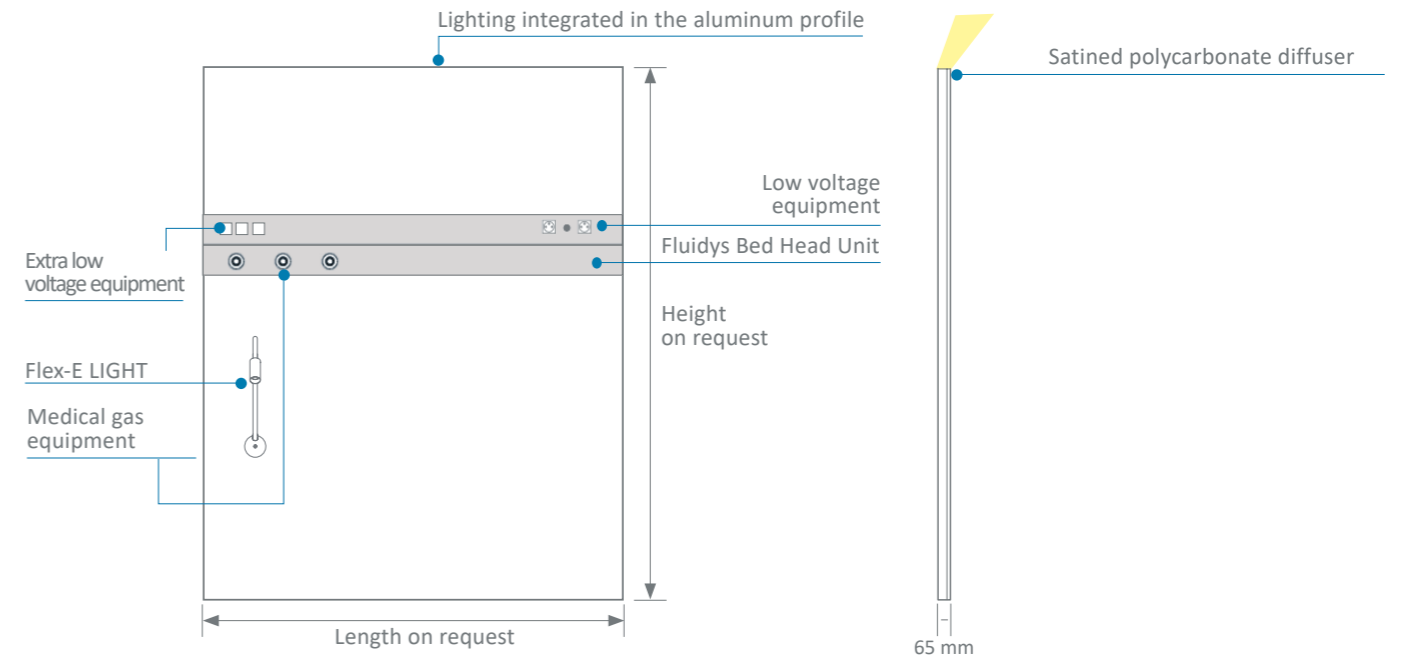
Front view



Side view

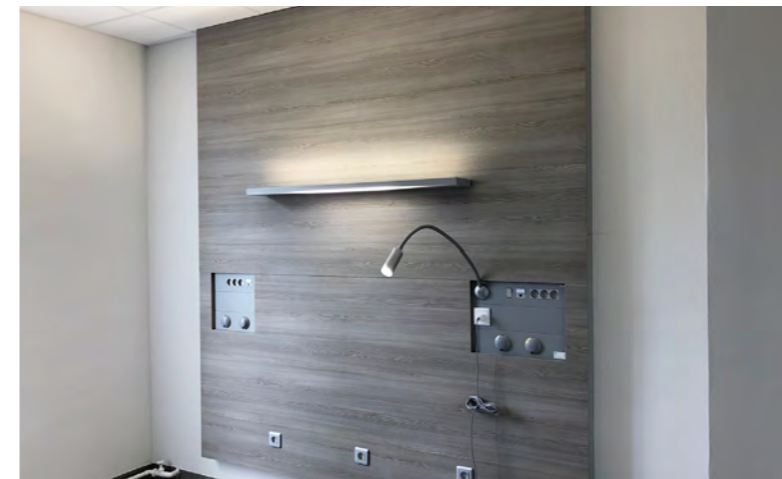


GOODWOOD with integrated aluminum profile



See the colors of laminated panels page 302

Configuration examples



1-bed Goodwood with Lysa wall lighting unit



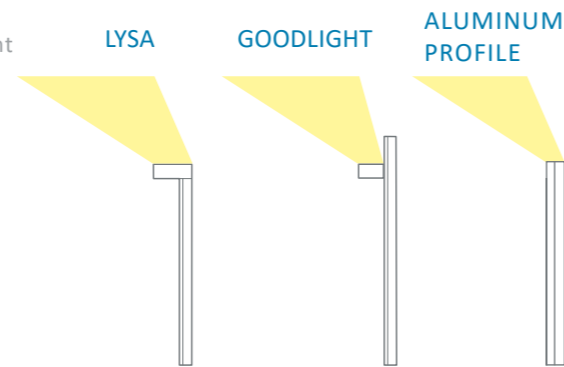
1-bed Goodwood with Goodlight wall lighting unit



The GOODWOOD concept offers lighting unit on the front panel, or a GOODLIGHT unit overhanging its front panel. It also incorporates LED night light at the bottom.

General lighting

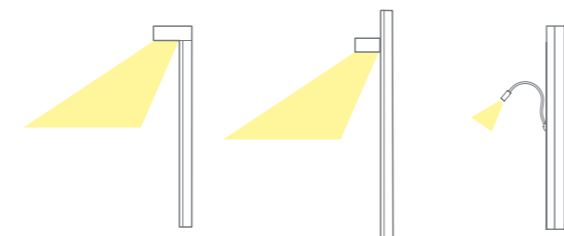
- Clear satin-finish PMMA diffuser with anti-UV treatment
- MIRO 20 SILVER® Aluminum reflector (for LYSA and GOODLIGHT)



*PMMA: Polymethyl methacrylate

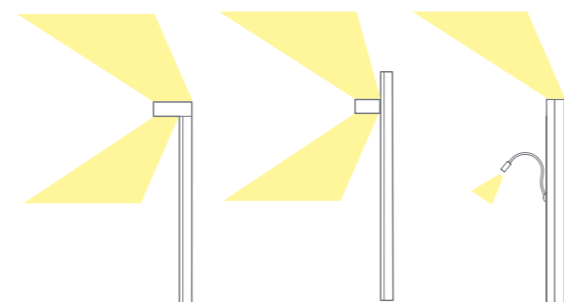
Reading lighting

- Satin-finish PMMA diffuser
- MIRO 20 SILVER® Aluminum reflector (for LYSA and GOODLIGHT)



Caring lighting

Caring lighting combines direct (reading) and indirect (general) lighting.



Lighting power (LYSA or GOODLIGHT)

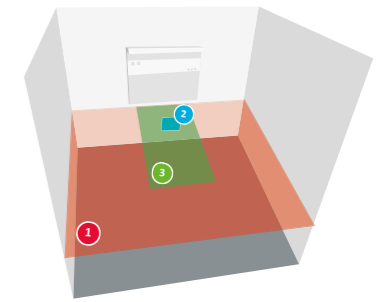
Lighting	Modules power	Types of sources	Color temperature	Luminous Flux ⁽¹⁾	Consumption	System Efficiency	Driver(s)
General lighting	28,7 W (3 Ft)	LED	3000 K 4000 K	5039 lm	33,2 W	151,9 lm/W	Fixed / DALI
General lighting (Dynamic lighting)	38,9 W (3 Ft)	LED	2700 K to 6500 K	5000 lm	44,9 W	111,4 lm/W	DALI
Reading lighting	8,9 W (2 Ft)	LED	3000 K 4000 K	1710 lm	10,8 W	158,8 lm/W	Fixed / DALI
Night light	1 x 3,1 W	LED	3000 K	292 lm	3,3 W	89,8 lm/W	Fixed

- Luminous flux maintenance factor : L80B10 to 60 000 hours
- MacAdam Ellipse: 3 SDCM
- LED sources photobiological risk : GP1

* PMMA: Polymethyl methacrylate

Lighting study

- Standard room
- Dimensions of the room: 3 m x 3 m, ceiling clearance 2.5 m
- Reflection coefficients: ceiling 7, walls 5, and floor 3
- Coefficient of depreciation 0.83



GOODLIGHT lighting unit

	General lighting	Reading lighting	Caring lighting
	Virtual general lighting plane of a surface equal to the one of the room, located 0.85 m above the floor (3 m x 3 m for a single room).	Virtual reading plane 0.3 m x 0.3 m inclined at 75° located 1.1 m from the floor and 1 m from the wall where the light fitting is mounted.	Virtual examination plane 2 m x 0.9 m located 0.85 m from the floor, centred in width and 0.1 m from the wall.
LED	3 ft module	2 ft module	General and reading lighting combined
Consumption	33,2 W	10,8 W	44 W
Average lighting	132 lx	345 lx	379 lx

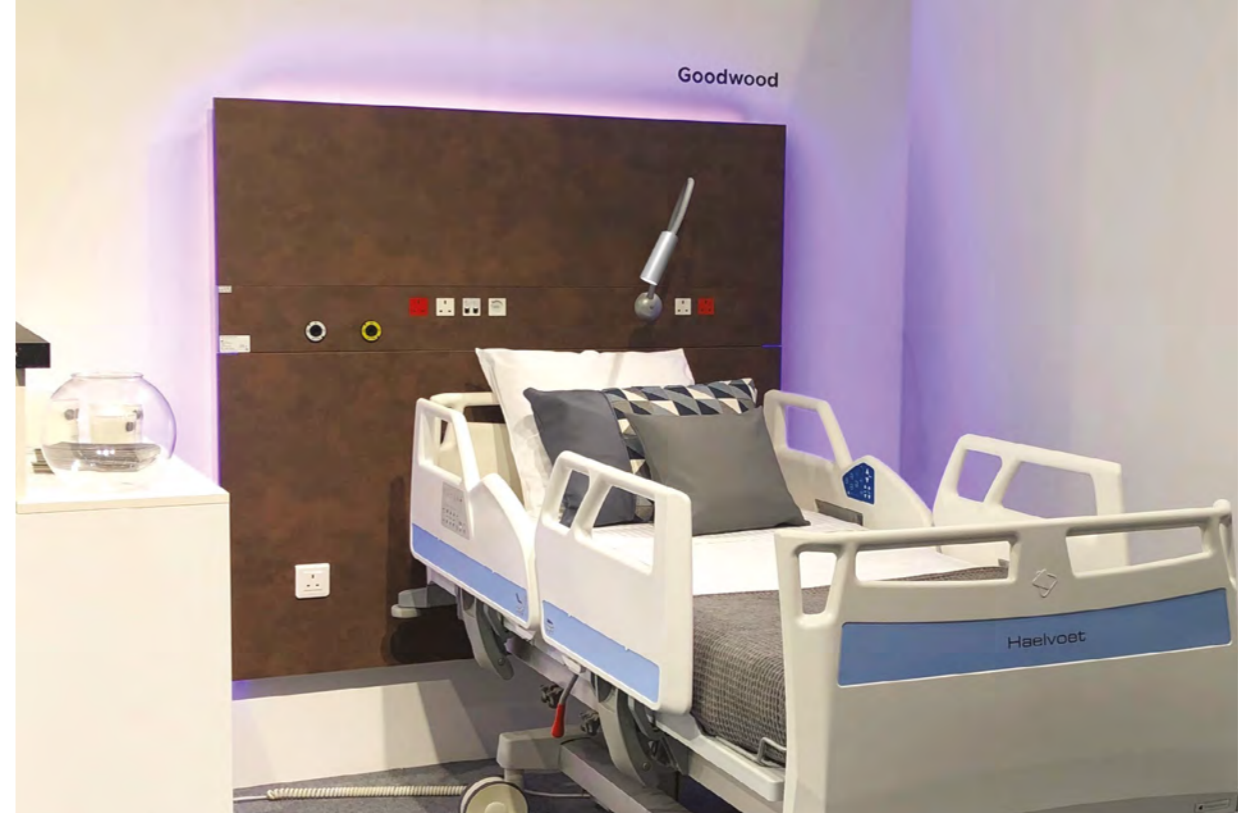
⁽¹⁾ All the luminous flux indicated in the brochure are based on the flux of the LED modules also known as system flux.
Luminaire output flux = (Module flux) x (optical efficiency), the optical efficiency of the luminaire is indicated in the Eulumdat file (LDT line 23) available for download on our website or on request.

Dynamic Lighting



The GOODLIGHT wall lighting unit is available with dynamic lighting. For more information, please see page 304.







Custom design GOODWOOD MOVE's panels are fully personalisable (colours, material, decorative film) to match the decor of any room. In addition, the sliding panel can be installed on the right or on left side of the patient according to the need, or both sides for a maternity room for example.

Hidden equipment Medical gas outlets and low and extra low voltage equipments are hidden behind a sliding panel to give a hotel aesthetic to the product.

Custom lighting Depending on the needs, the GOODWOOD MOVE concept offers different LED lighting solutions: indirect lighting tray and reading spot FLEX-E LIGHT, GOODLIGHT or LYSA wall lighting units.

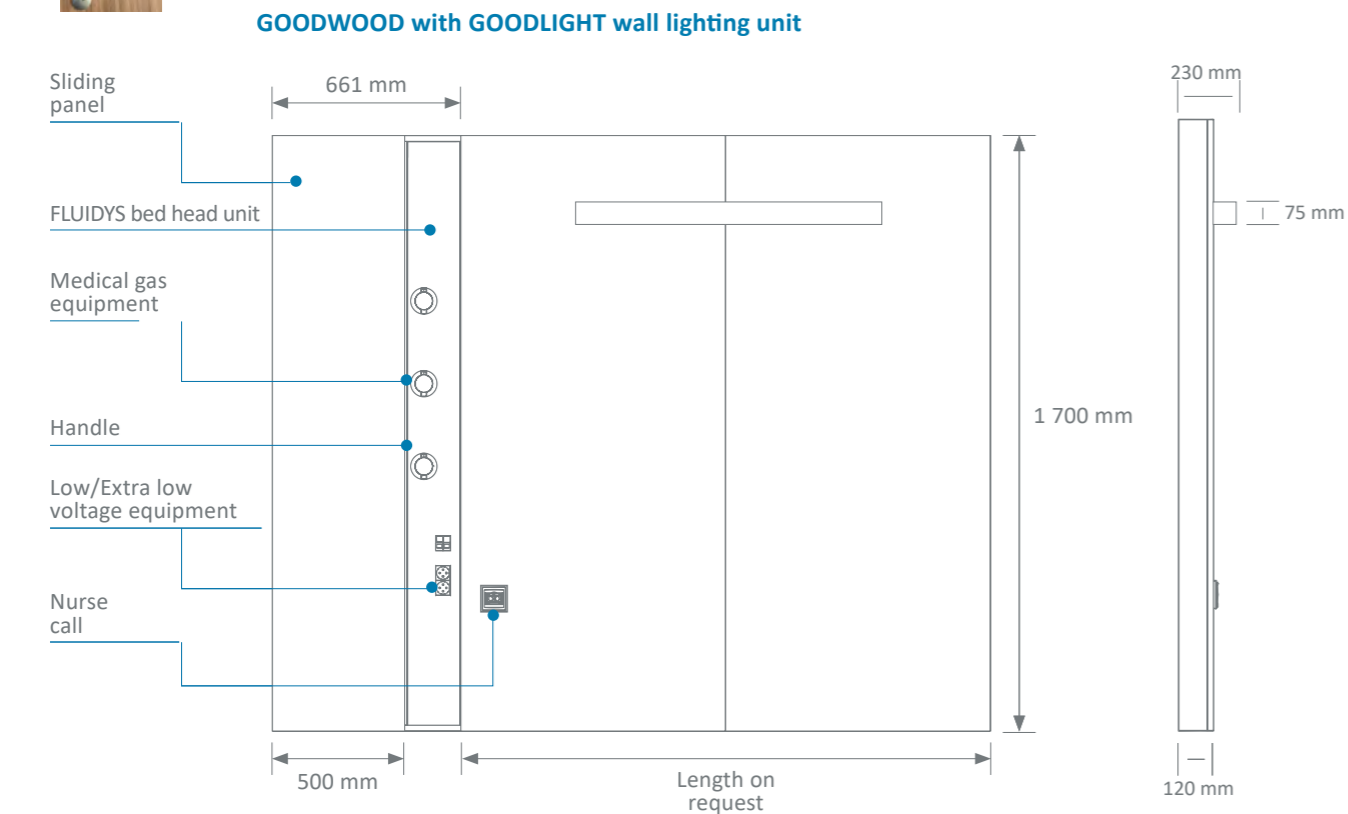
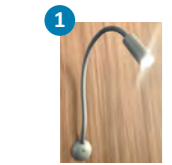
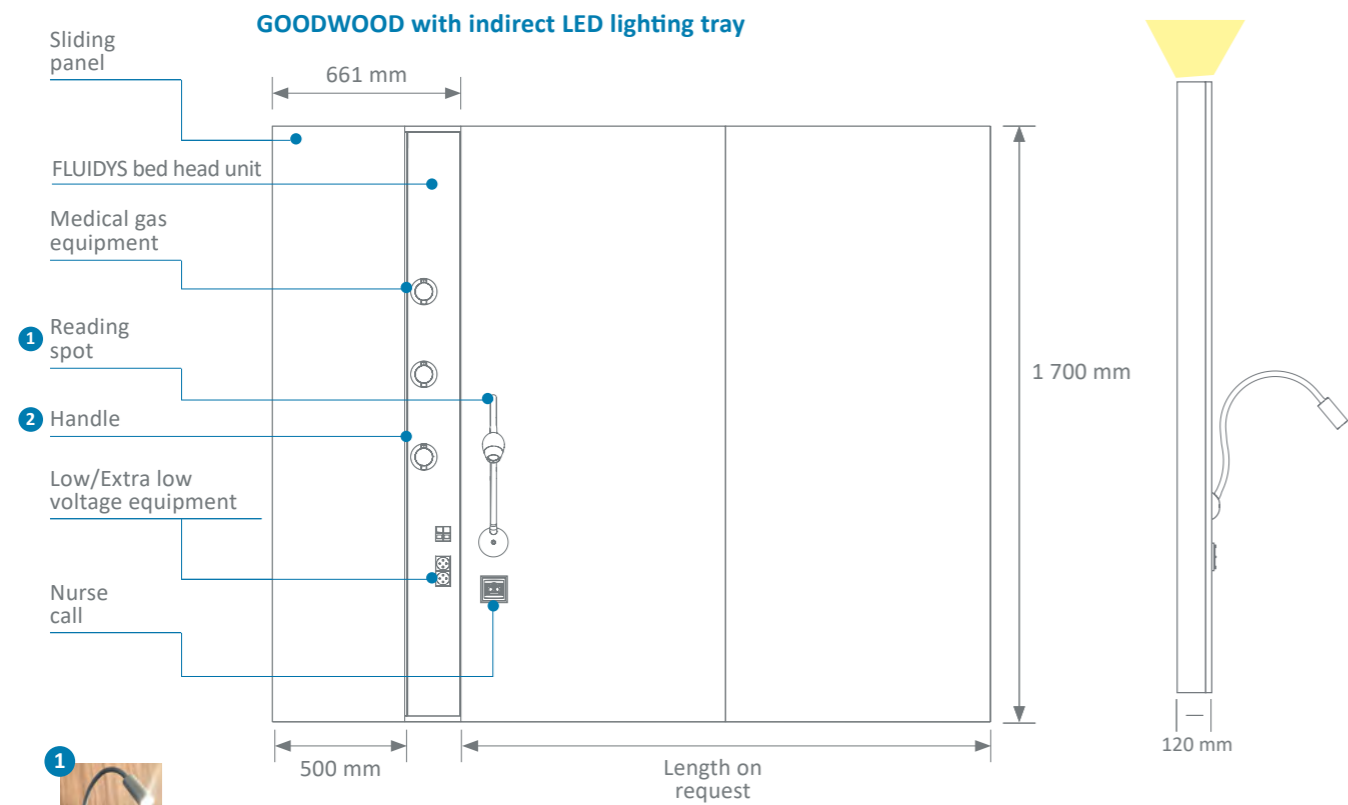


GOODWOOD MOVE

GOODWOOD MOVE architectural concept hides electrical equipment and medical gas outlets behind a sliding panel. It brings a hotel atmosphere to the hospital room and contributes to the overall aesthetic of the room.

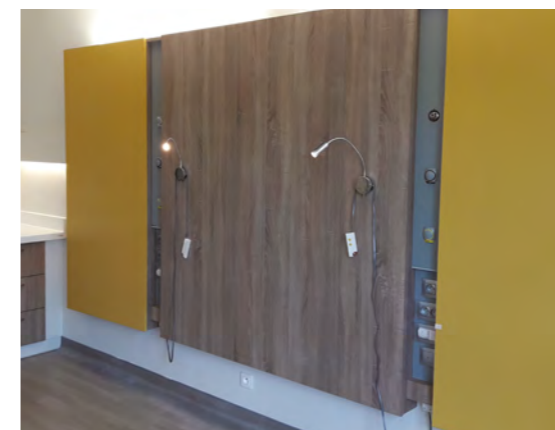
Configuration

Front view



See the colors of laminated panels page 302.

Configuration examples

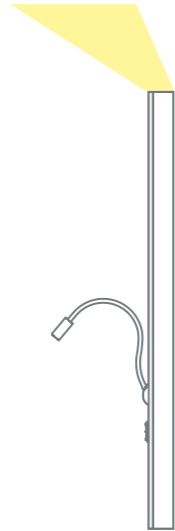


The GOODWOOD MOVE concept offers comfortable LED lighting.

GOODWOOD MOVE with indirect LED lighting tray and FLEX-E LIGHT

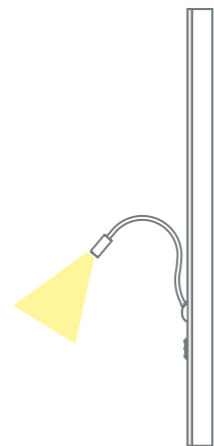
General lighting

- Clear polycarbonate diffuser
- Pre-lacquered reflector



Reading lighting

PMMA* lens



GOODWOOD MOVE with GOODLIGHT LED wall lighting unit

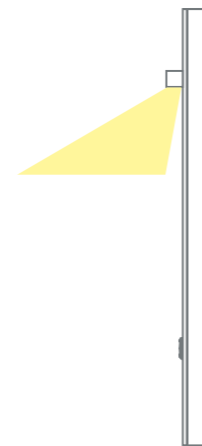
General lighting

- Clear satin-finish PMMA* diffuser with anti-UV treatment
- MIRO 20 SILVER® Aluminum reflector



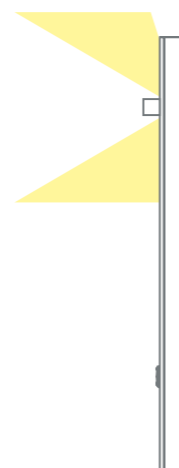
Reading lighting

- Satin-finish polycarbonate direct diffuser
- MIRO 20 SILVER® Aluminum reflector



Caring lighting

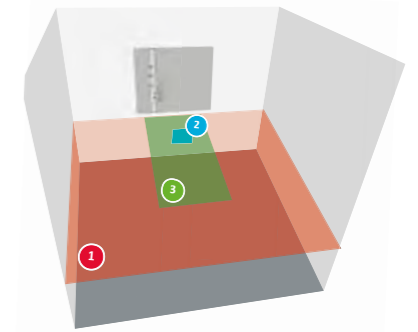
Caring lighting combines direct (reading) and indirect (general) lighting.



* PMMA: Polymethyl methacrylate

Lighting study

- Standard room
- Dimensions of the room: 3 m x 3 m, ceiling clearance 2.5 m
- Reflection coefficients: ceiling 7, walls 5, and floor 3
- Coefficient of depreciation 0.83



Version with GOODLIGHT LED wall lighting unit	General lighting Virtual general lighting plane of a surface equal to the one of the room, located 0.85 m above the floor (3 m x 3 m for a single room).	Reading lighting Virtual reading plane 0.3 m x 0.3 m inclined at 75° located 1.1 m from the floor and 1 m from the wall where the light fitting is mounted.	Caring lighting Virtual examination plane 2 m x 0.9 m located 0.85 m from the floor, centred in width and 0.1 m from the wall.
LED	3 ft module 	2 ft module 	General and reading lighting combined
Consumption	33,2 W	10,8 W	44 W
Average lighting	132 lx	345 lx	379 lx

Lighting power

Lighting	Modules power	Types of sources	Color temperature	Luminous Flux ⁽¹⁾	Consumption	System Efficiency	Driver(s)
General lighting	28,7 W (3 Ft)	LED	3000 K 4000 K	5039 lm	33,2 W	151,9 lm/W	Fixed / DALI
General lighting (Dynamic lighting)	38,9 W (3 Ft)	LED	2700 K to 6500 K	5000 lm	44,9 W	111,4 lm/W	DALI
Reading lighting	8,9 W (2 Ft)	LED	3000 K 4000 K	1 710 lm	10,8 W	158,8 lm/W	Fixed / DALI
Night light	1 x 3,1 W	LED	3000 K	292 lm	3,3 W	89,8 lm/W	Fixed

- Luminous flux maintenance factor : L80B10 to 60 000 hours
- MacAdam Ellipse: 3 SDCM
- LED sources photobiological risk : GP1

⁽¹⁾ All the luminous flux indicated in the brochure are based on the flux of the LED modules also known as system flux.

Luminaire output flux = (Module flux) x (optical efficiency), the optical efficiency of the luminaire is indicated in the Eulumdat file (LDT line 23) available for download on our website or on request.



Custom design The MADEIRA is fully customized and can be configured by integrating: door, drawer, and technical equipment (x-ray film viewer, multimedia screen, haemodialysis water purifier, wardrobe, bedside table, etc.).

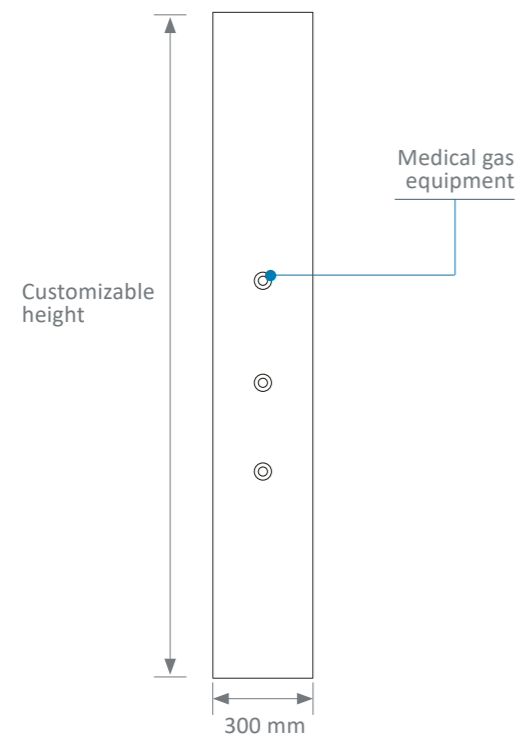
Design and ergonomics Available with a wide choice of materials and colours, to adapt the panels to your needs. The smooth surfaces of the MADEIRA make it easy to clean and disinfect.



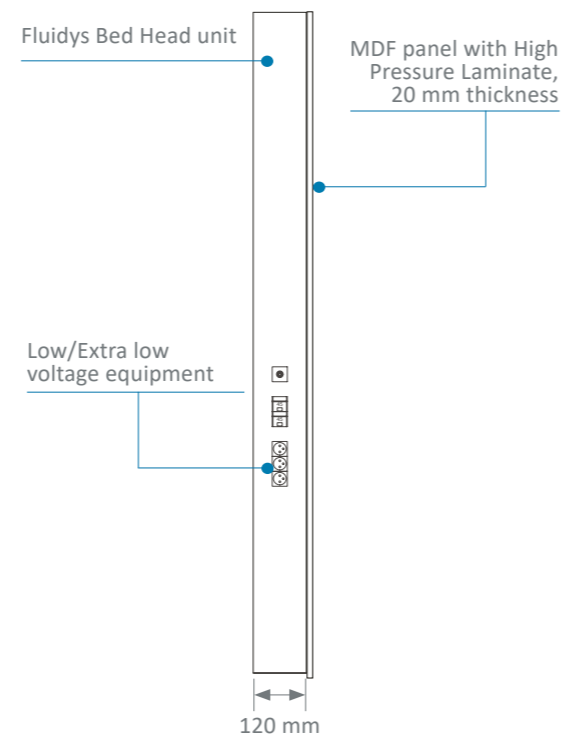
MADEIRA

1 bed standard configuration

Front view

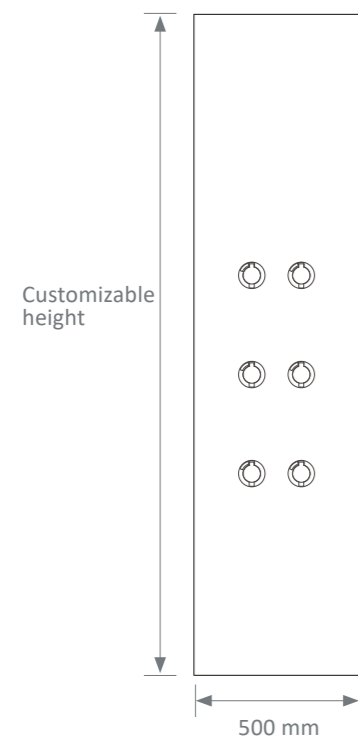


Side view

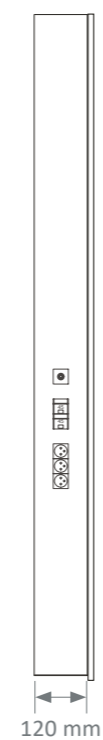


2 beds standard configuration

Front view



Side view



See the colors of laminated panels page 302

Lighting

Combined with a wall-mounted lighting unit from the TLV range (LINA, LYSA, LUMIA or GOODLIGHT), the concept MADEIRA provides a comfortable, efficient lighting solution to contribute to the well-being of patients and healthcare professionals.

It can optionally be equipped with the following:

A FLEX-E LIGHT reading spotlight on flexible.
For more information, see page 142.



LED night light built into the bottom fitting.



Optionnal Equipment

The MADEIRA concept is also available in **custom made configuration**. It can incorporate extra low/low voltage devices and medical gas on the front panel or on the sides. If necessary, the side profiles can be equipped with a rail (on the right and/or left-hand side), where biomedical accessories can be fixed.

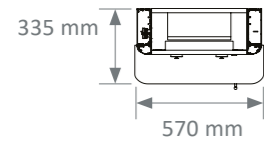
It can include your choice of technical devices, for example :

Haemodialysis water purifier

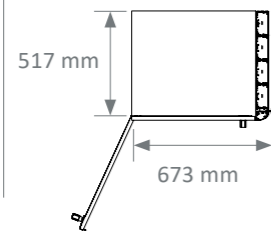


Example of MADEIRA custom-made configurations

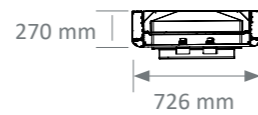
With a bedside table and cabinet in the lower part.



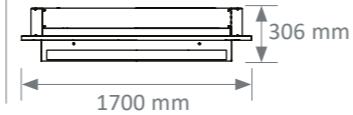
With a cupboard at the top and a wardrobe equipped with safe.



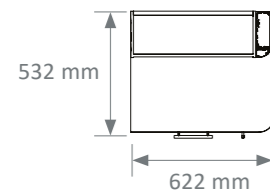
With a haemodialysis water purifier.



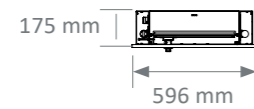
With a wall lighting unit.



With upper recesses and a bedside table in the lower part, where a fridge can be integrated.



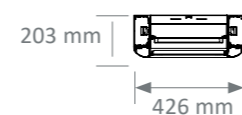
With wood panels covering the electrical distribution profiles.



With steel front panel.



With flush mounted wood panels between the electrical distribution profiles.







NON-MEDICALIZED WALL LIGHTING UNITS

LYSA	p.42
LINA	p.104
AVOLYS	p.110

WALL LIGHTING UNITS

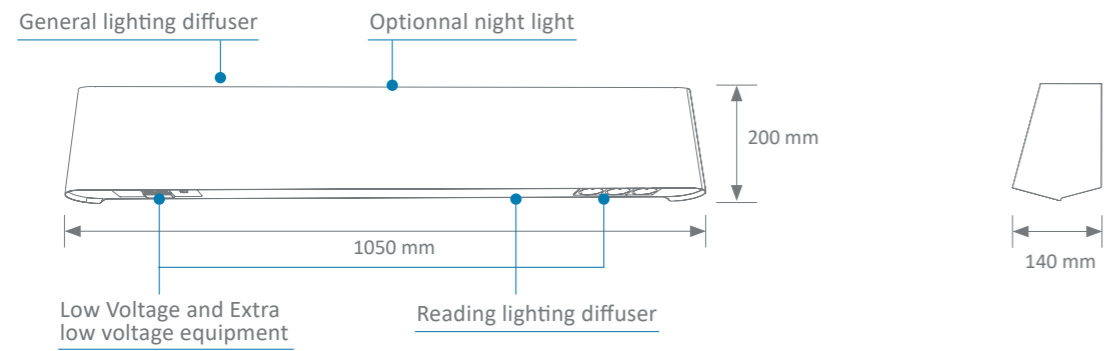
LYSA	p.116
GOODLIGHT	p.122
LUMIA	p.128



The LINA wall lighting unit has an elegant design. It is ideal for lighting retirement homes and clinics. Thanks to its built-in electrical devices and its direct and indirect lighting, it satisfies the needs of medical teams and remains comfortable for the patient.

LINA

Front view



Colors

GRIS RAL 9007	
LINA	●

Other color on request.

Driver(s)		Classifications			
Fixed	DALI	Class I	650°	IP 20	IK 08

Colors examples



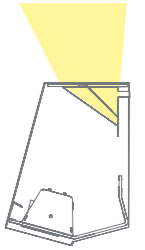
Low and extra low voltage equipment

The LINA light fitting meets lighting and electrical distribution requirements of normal care rooms, and can integrate up to six electrical devices (power sockets, call button, switches, etc...).



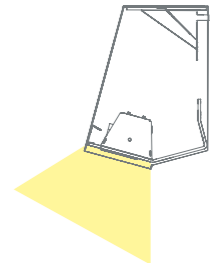
General lighting

- PMMA* choc frost opal direct diffuser
- MIRO 20 ® aluminum reflector



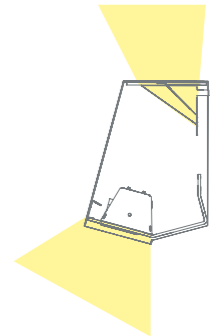
Reading lighting

- Diffuser made of clear indirect PMMA*
- MIRO 20 ® aluminum reflector



Caring lighting

Caring lighting combines direct (reading) and indirect (general) lighting.



Lighting power

Lighting	Modules power	Color temperature	Luminous Flux ⁽¹⁾	Consumption	System Efficiency	Driver(s)	Efficiency energy class CRI 80	Efficiency energy class CRI 90
General lighting	26,9 W (3 Ft)	3 000 K 4 000 K	4540 lm	31,9 W	142,3 lm/W	Fixed / DALI	A↑G C	A↑G D
General lighting (Dynamic lighting)	38,9 W (3 Ft)	2 700 K to 6 500 K	5000 lm	44,9 W	111,4 lm/W	DALI		A↑G E
Reading lighting	16,1 W (2 Ft)	3 000 K 4 000 K	2716 lm	19,8 W	137,3 lm/W	Fixed / DALI	A↑G C	A↑G D
Night light	1 x 3,1 W	3 000 K	292 lm	3,3 W	89,8 lm/W	Fixed	A↑G D	

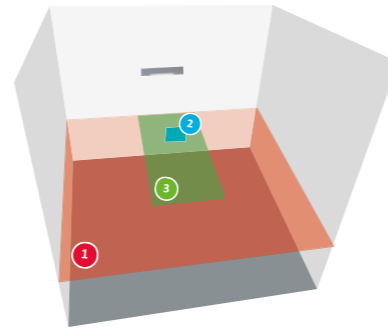
- Luminous flux maintenance factor : L80B10 to 60 000 hours
- MacAdam Ellipse: 3 SDCM
- LED sources photobiological risk : GP1

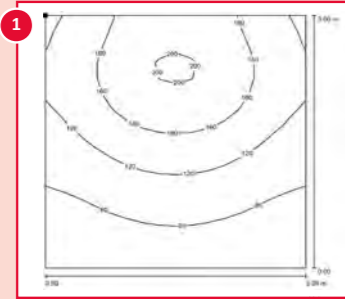
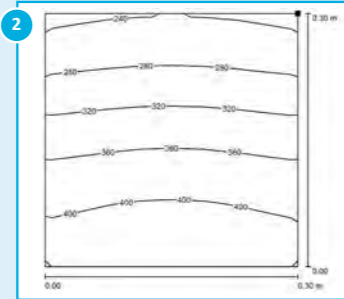
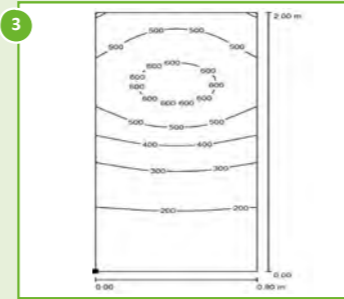
* PMMA - polymethyl methacrylate

EFFICIENT LIGHTING

Lighting study

- Standard room
- Dimensions of the room: 3 m x 3 m, ceiling clearance 2.5 m
- Reflection coefficients: ceiling 7, walls 5, and floor 3
- Coefficient of depreciation 0.83



	General lighting Virtual general lighting plane of a surface equal to the one of the room, located 0.85 m above the floor (3 m x 3 m for a single room).	Reading lighting Virtual reading plane 0.3 m x 0.3 m inclined at 75° located 1.1 m from the floor and 1 m from the wall where the light fitting is mounted.	Caring lighting Virtual examination plane 2 m x 0.9 m located 0.85 m from the floor, centred in width and 0.1 m from the wall.
LED	3 ft module 	2 ft module 	General and reading lighting combined 
Consumption	31,9 W	19,8 W	51,2 W
Average lighting	108 lx	318 lx	357 lx

⁽¹⁾ All the luminous flux indicated in the brochure are based on the flux of the LED modules also known as system flux.

Luminaire output flux = (Module flux) x (optical efficiency), the optical efficiency of the luminaire is indicated in the Eulumdat file (LDT line 23) available for download on our website or on request.

Dynamic Lighting



The LINA wall lighting unit is available with dynamic lighting.

For more information, please see page 304.

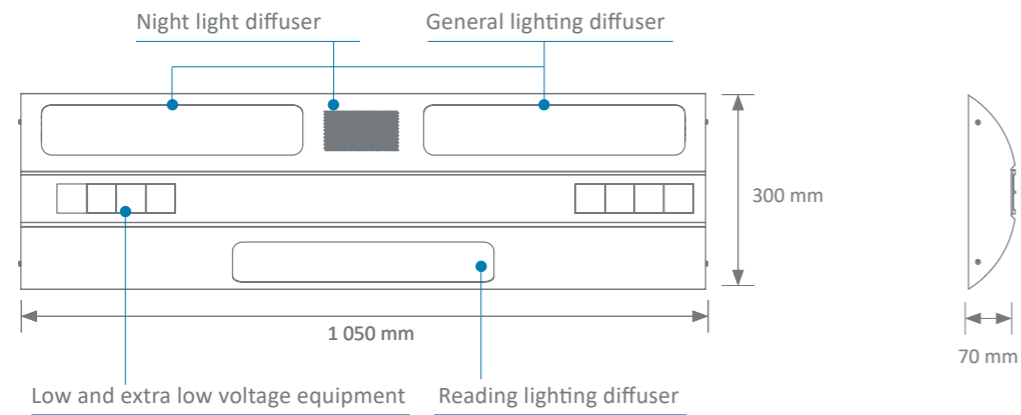




Thanks to its IK08, AVOLYS wall lighting unit is suitable for lighting secure environments such as psychiatric departments, alzheimer units, or prisons. It provides comfortable, high-quality lighting for patients and care teams.

AVOLYS

Front view



Colours

	White RAL 9016
AVOLYS	●

Driver(s)		Classifications			
Fixed	DALI	Class I	650°	IP 20	IK 08

Ergonomics

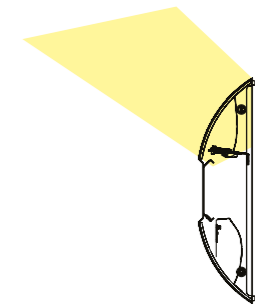
AVOLYS satisfies the lighting and electrical distribution needs of normal care rooms. It can incorporate up to eight electrical accessories.

The wall-mounted lighting unit also impact resistance rating (IK08), providing maximum safety to patients and healthcare professionals working in a secure environment (nursing home, Alzheimer units, specialist hospitals, prisons, and psychiatric departments).



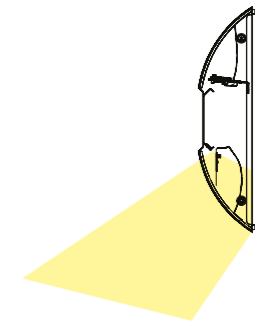
General lighting

- PMMA * diffuser
- MIRO 20 SILVER® Aluminum reflector



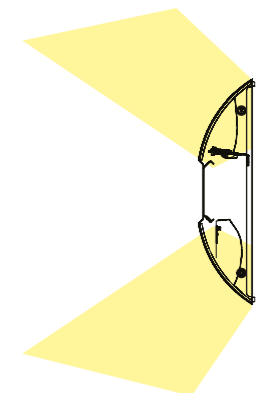
Reading lighting

- PMMA diffuser
- MIRO 20 SILVER® Aluminum reflector



Caring lighting

Caring lighting combines direct (reading) and indirect (general) lighting.



Lighting power

Lighting	Modules power	Colour temperature	Luminous Flux ⁽¹⁾	Consumption	System Efficiency	Driver(s)	Efficiency energy class ICR 80	Efficiency energy class ICR 90
General lighting	22,1 W (2 Ft)	3000 K	3771 lm	25,9 W	145,6 lm/W	Fixed / DALI	A ↑ G C	A ↑ G D
Reading lighting	8,4 W (1 Ft)	3000 K	1481 lm	10,2 W	145,1 lm/W	Fixed / DALI	A ↑ G C	A ↑ G D
Night light	1 x 3,1 W	3000 K	292 lm	4,9 W	89,8 lm/W	Fixed	A ↑ G	A ↑ G D

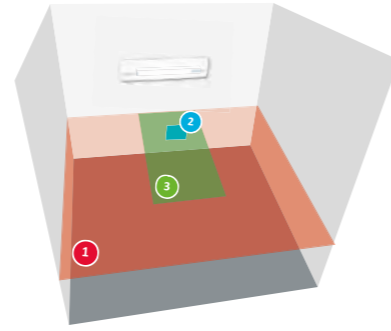
- Luminous flux maintenance factor : L80B10 to 60 000 hours
- MacAdam Ellipse: 3 SDCM
- LED sources photobiological risk : GP1

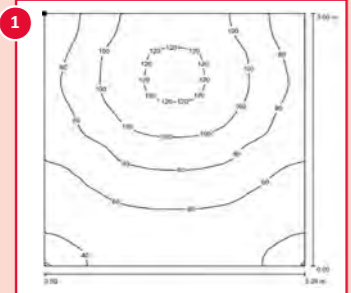
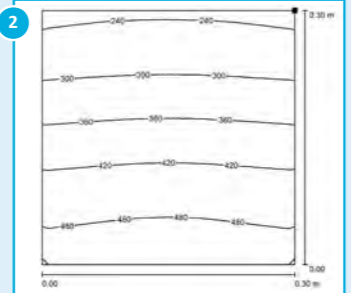
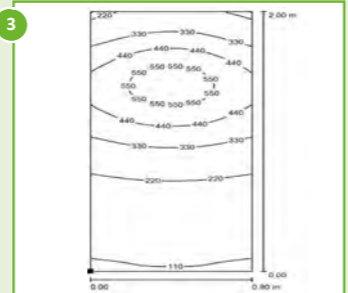
* PMMA: Polymethyl methacrylate

EFFICIENT LIGHTING

Lighting study

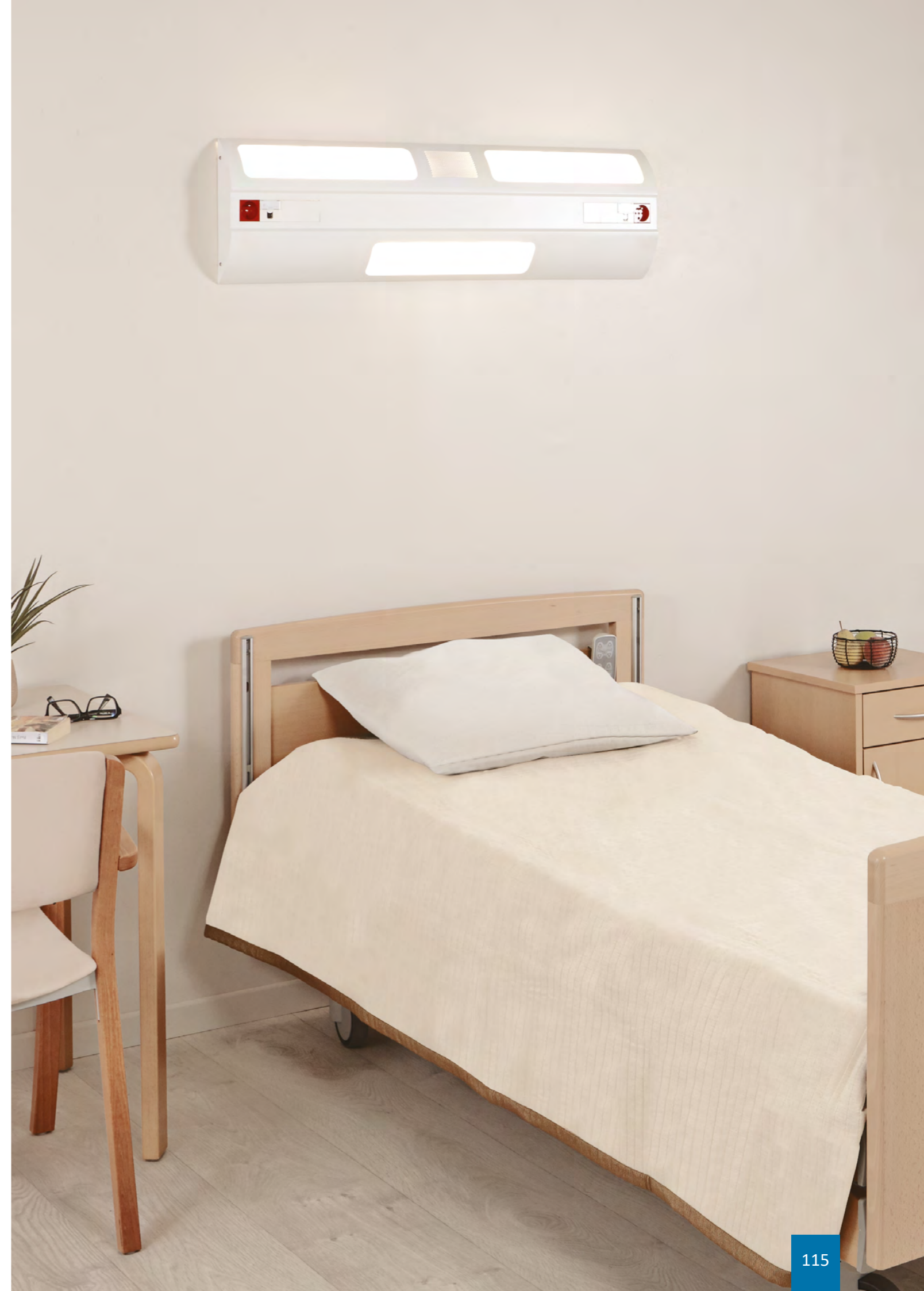
- Standard room
- Dimensions of the room: 3 m x 3 m, ceiling clearance 2.5 m
- Reflection coefficients: ceiling 7, walls 5, and floor 3
- Coefficient of depreciation 0.83



	General lighting Virtual general lighting plane of a surface equal to the one of the room, located 0.85 m above the floor (3 m x 3 m for a single room).	Reading lighting Virtual reading plane 0.3 m x 0.3 m inclined at 75° located 1.1 m from the floor and 1 m from the wall where the light fitting is mounted.	Caring lighting Virtual examination plane 2 m x 0.9 m located 0.85 m from the floor, centred in width and 0.1 m from the wall.
LED	2 Ft module 	1 Ft module 	General and reading lighting combined 
Consumption	25,9 W	10,2 W	36,1 W
Average lighting	78 lx	378 lx	305 lx

⁽¹⁾ All the luminous flux indicated in the brochure are based on the flux of the LED modules also known as system flux.

Luminaire output flux = (Module flux) x (optical efficiency), the optical efficiency of the luminaire is indicated in the Eulumdat file (LDT line 23) available for download on our website or on request.

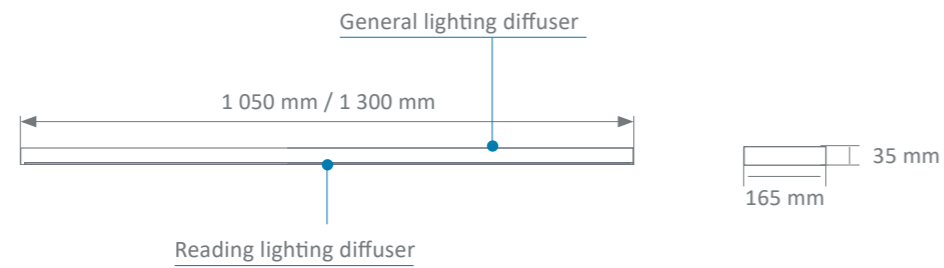




Available in 3 colors, the LYSA wall lighting unit is ideal for retirement homes and clinics. The pure form and the finesse of LYSA make it discreet in a normal care room. The quality of the light promotes the comfort and well-being of patients and healthcare professionals.

LYSA

Front view / Side view



Colours

	GREY RAL 9006	GREY RAL 9007	WHITE RAL 9016
LYSA	●	●	●

Driver(s)

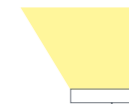
Fixed	DALI
-------	------

Classifications

Class I	650°	IP 20	IK 08
---------	------	-------	-------

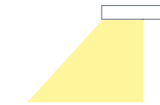
General lighting

- Indirect diffuser in clear satin PMMA* with anti-UV treatment
- MIRO 20 Silver® Aluminum reflector



Reading lighting

- Satin-finish polycarbonate direct diffuser
- MIRO 20 Silver® Aluminum reflector



Caring lighting

Caring lighting combines direct (reading) lighting with indirect (general) lighting.



Lighting power

Lighting	Modules power	Color Temperature	Luminous Flux ⁽¹⁾	Consumption	System Efficiency	Driver(s)	Efficiency energy class IRC 80	Efficiency energy class IRC 90
General lighting	28,7 W (3 Ft)	3000 K 4000 K	5039 lm (length 1050 mm)	33,2 W	151,9 lm/W	Fixed / DALI	A↑G C	A↑G D
	35,3 W (4 Ft)	3000 K 4000 K	6255 lm (length 1300 mm)	40,8 W	153,4 lm/W	Fixed / DALI	A↑G C	A↑G D
General lighting (Dynamic lighting)	38,9 W (3 Ft)	2700 K to 6500 K	5000 lm	44,9 W	111,4 lm/W	DALI		A↑G E
	47,2 W (4 Ft)	2700 K to 6500 K	6200 lm	54 W	114,8 lm/W	DALI		A↑G E
Reading lighting	8,9 W (2 Ft)	3000 K 4000 K	1710 lm	10,8 W	158,8 lm/W	Fixed / DALI		A↑G D
Night light	3,1 W	3000 K	292 lm	3,3 W	89,8 lm/W	Fixed	A↑G C	A↑G D

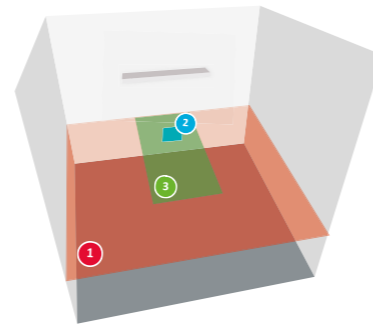
- Luminous flux maintenance factor : L80B10 to 60 000 hours
- MacAdam Ellipse: 3 SDCM
- LED sources photobiological risk : GP1

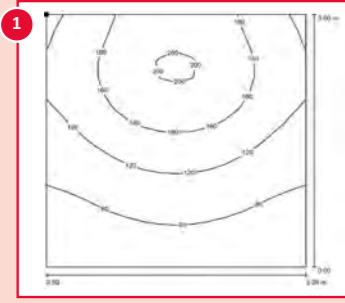
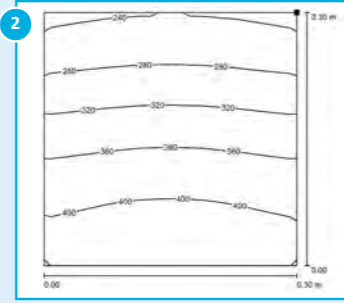
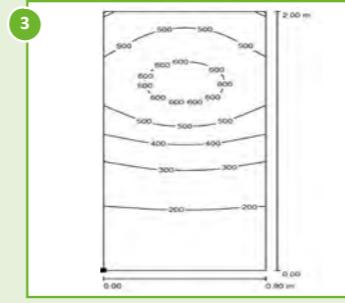
* Only available for Lysa 1300 mm



Lighting study

- Standard room
- Dimensions of the room: 3 m x 3 m, ceiling clearance 2.5 m
- Reflection coefficients: ceiling 7, walls 5, and floor 3
- Coefficient of depreciation 0.83



	General lighting Virtual general lighting plane of a surface equal to the one of the room, located 0.85 m above the floor (3 m x 3 m for a single room).	Reading lighting Virtual reading plane 0.3 m x 0.3 m inclined at 75° located 1.1 m from the floor and 1 m from the wall where the light fitting is mounted.	Caring lighting Virtual examination plane 2 m x 0.9 m located 0.85 m from the floor, centred in width and 0.1 m from the wall.
LED	3 Ft module 	2 Ft module 	General and reading lighting combined 
Consumption	33,2 W	10,8 W	44 W
Average lighting	132 lx	348 lx	397 lx

⁽¹⁾ All the luminous flux indicated in the brochure are based on the flux of the LED modules also known as system flux.
 Luminaire output flux = (Module flux) x (optical efficiency), the optical efficiency of the luminaire is indicated in the Eulumdat file (LDT line 23) available for download on our website or on request.

Dynamic Lighting



The LYSA wall lighting unit is available with dynamic lighting.
 For more information, please see page 304.

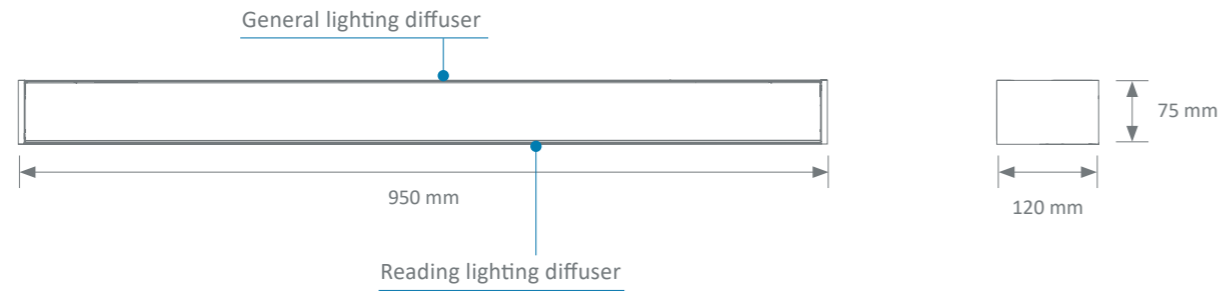


Thanks to its timeless and simple design, GOODLIGHT wall lighting unit is suitable for retirement homes or in addition to an architectural concept in hospital room. It provides comfortable, high-quality lighting for patients and care teams.



GOODLIGHT

Back view



Colours

	GREY RAL 9006	GREY RAL 9007	WHITE RAL 9016
GOODLIGHT	●	●	●

Driver(s)

Fixed	DALI
-------	------

Classifications

Class I	650°	IP 20	IK 08
---------	------	-------	-------

General lighting

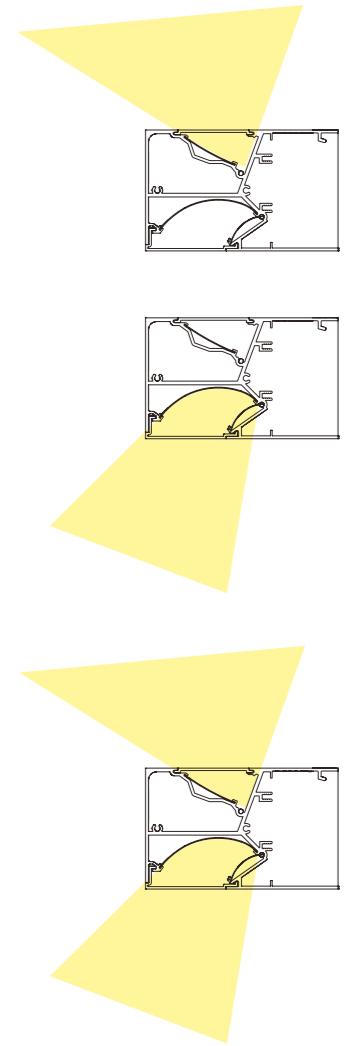
- Clear satin-finish PMMA* diffuser with anti-UV treatment
- MIRO 20 SILVER® Aluminum reflector

Reading lighting

- Satin-finish polycarbonate diffuser
- MIRO 20 SILVER® Aluminum reflector

Caring lighting

Caring lighting combines direct (reading) lighting with indirect (general) lighting.



Lighting power

Lighting	Modules power	Color temperature	Luminous Flux ⁽¹⁾	Consumption	System Efficiency	Driver(s)	Efficiency energy class CRI 80	Efficiency energy class CRI 90
General lighting	28,7 W (3 Ft)	3000 K 4000 K	5039 lm	33,2 W	151,9 lm/W	Fixed / DALI	A↑G C	A↑G D
General lighting (Dynamic lighting)	38,9 W (3 Ft)	2700 K to 6500 K	5000 lm	44,9 W	111,4 lm/W	DALI		A↑G E
Reading lighting	8,9 W (2 Ft)	3000 K 4000 K	1710 lm	10,8 W	158,8 lm/W	Fixed / DALI	A↑G C	A↑G D
Night light	1 x 3,1 W	3000 K	292 lm	3,3 W	89,8 lm/W	Fixed		A↑G D

- Luminous flux maintenance factor : L80B10 to 60 000 hours
- MacAdam Ellipse : 3 SDCM
- LED sources photobiological risk : GP1

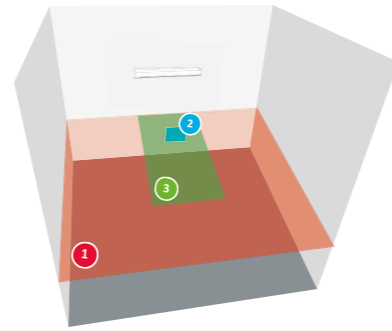
* PMMA: Polymethyl methacrylate

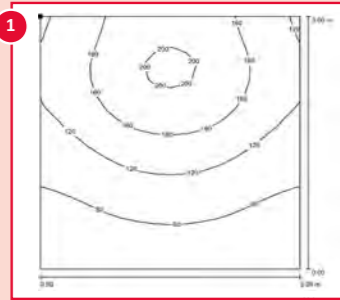
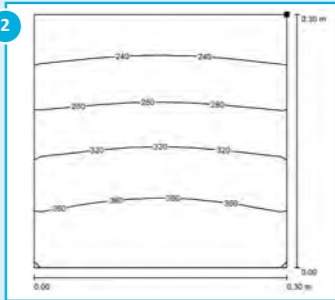
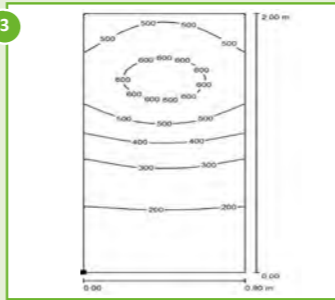


EFFICIENT LIGHTING

Lighting study

- Standard room
- Dimensions of the room: 3 m x 3 m, ceiling clearance 2.5 m
- Reflection coefficients: ceiling 7, walls 5, and floor 3
- Coefficient of depreciation 0.83



	General lighting Virtual general lighting plane of a surface equal to the one of the room, located 0.85 m above the floor (3 m x 3 m for a single room).	Reading lighting Virtual reading plane 0.3 m x 0.3 m inclined at 75° located 1.1 m from the floor and 1 m from the wall where the light fitting is mounted.	Caring lighting Virtual examination plane 2 m x 0.9 m located 0.85 m from the floor, centred in width and 0.1 m from the wall.
LED	3 ft module 	2 ft module 	General and reading lighting combined 
Consumption	33,2 W	10,8 W	44 W
Average lighting	132 lx	345 lx	379 lx

⁽¹⁾ All the luminous flux indicated in the brochure are based on the flux of the LED modules also known as system flux.

Luminaire output flux = (Module flux) x (optical efficiency), the optical efficiency of the luminaire is indicated in the Eulumdat file (LDT line 23) available for download on our website or on request.

Dynamic Lighting



The GOODLIGHT wall lighting unit is available with dynamic lighting.
For more information, please see page 304.



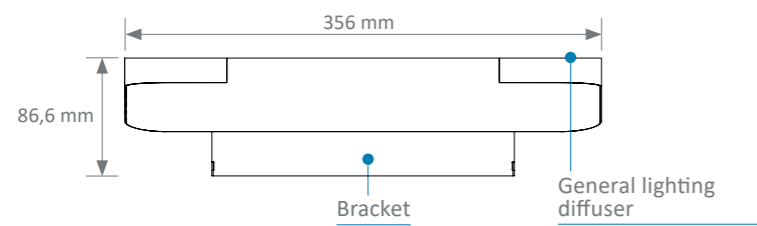
The LUMIA wall lighting unit provides high-performance and comfortable indirect lighting, contributing to the well-being of care teams and patients.



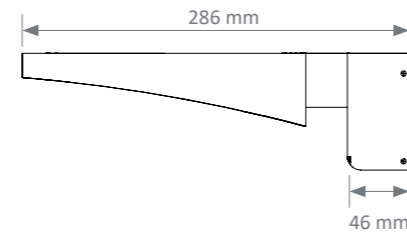
LUMIA

TECHNICAL FEATURES

Front view



Side view



Colours

	White RAL 9016	Grey RAL 9006
LUMIA	●	●

Driver(s)

Fixed	DALI
-------	------

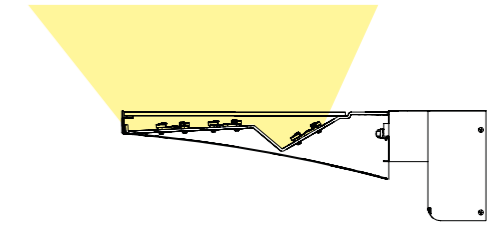
Classifications

Class I	650°	IP 20	IK 08
---------	------	-------	-------

CONTROLLED AND EFFICIENT LIGHTING

General lighting

- Clear glass diffuser
- Aluminum reflector



Lighting study

- Standard room
- Dimensions of the room: 3 m x 3 m, ceiling clearance 2.5 m
- Reflection coefficients: ceiling 7, walls 5, and floor 3
- Coefficient of depreciation 0.83

General lighting

Virtual general lighting plane of a surface equal to the one of the room, located 0.85 m above the floor (3 m x 3 m for a single room).

LED	Module 3 ft
Consumption	37,6 W
Average lighting	171 lx

Lighting power

Lighting	Modules power	Color Temperature	Luminous Flux ⁽¹⁾	Consumption	System Efficiency	Driver(s)	Efficiency energy class CRI 80	Efficiency energy class CRI 90
General lighting	32,3 W (3 Ft)	3000 K 4000 K	5531 lm	37,6 W	147,3 lm/W	Fixed / DALI		

- Luminous flux maintenance factor : L80B10 to 60 000 hours
- MacAdam Ellipse: 3 SDCM
- LED sources photobiological risk : GP1

⁽¹⁾ All the luminous flux indicated in the brochure are based on the flux of the LED modules also known as system flux.

Luminaire output flux = (Module flux) x (optical efficiency), the optical efficiency of the luminaire is indicated in the Eulumdat file (LDT line 23) available for download on our website or on request.



EXTRA LIGHTING

FLEX-E LED
NATLYS

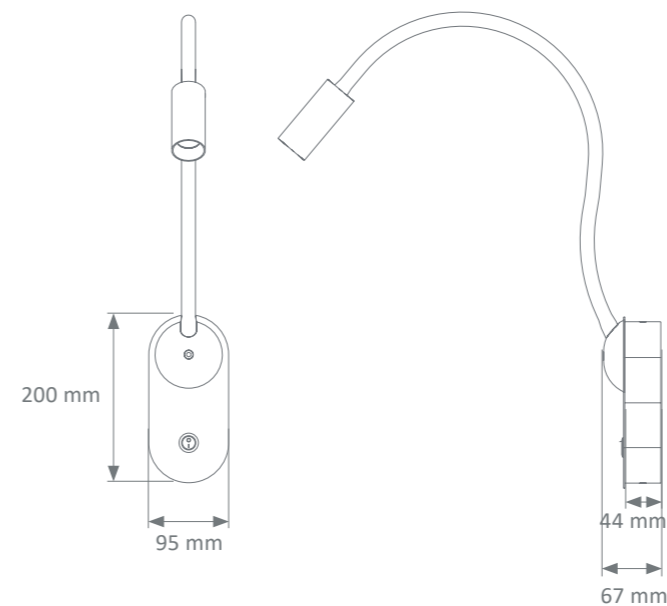
p.134
p.136

TECHNICAL FEATURES

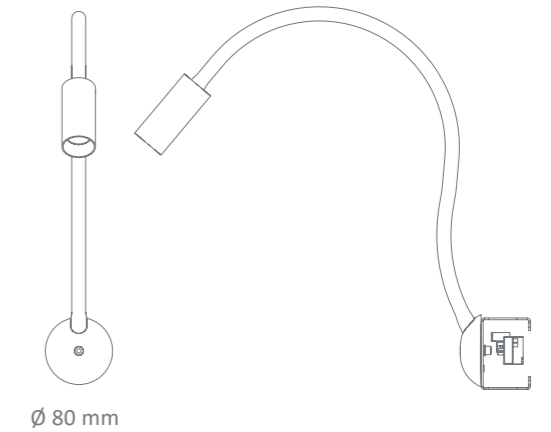
- Semi-rigid flexible with Ø 16,5 mm PVC conduit, length : 640 mm
- Spot dimensions : Ø 40 mm
- PMMA* lens
- Control: external or switch
- Spot head in grey painted aluminum and natural anodized
- Net weight : 1,2 kg



Mounting on wall bracket



Mounting on bed head unit (Fluidys, Madeira, Medissima, Goodwood)



Lighting power

Lighting	Power	Types of sources	Color temperature	Luminous Flux ⁽¹⁾	Consumption	System Efficiency	Driver(s)	Efficiency energy class CRI 90
General lighting	3,1 W	LED	4000 K	292 lm	3,3 W	89,8 lm/W	Fixed	A ↑ G D

- Luminous flux maintenance factor : L80B10 to 60 000 hours
- MacAdam Ellipse: 3 SDCM
- LED sources photobiological risk : GP1

⁽¹⁾ All the luminous flux indicated in the brochure are based on the flux of the LED modules also known as system flux.

Luminaire output flux = (Module flux) x (optical efficiency), the optical efficiency of the luminaire is indicated in the Eulumdat file (LDT line 23) available for download on our website or on request.

* PMMA: Polymethyl methacrylate

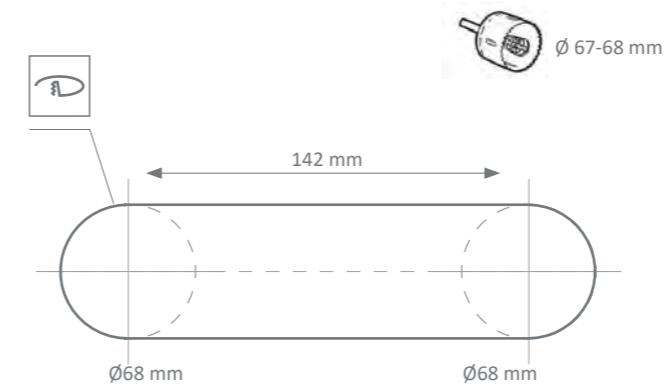
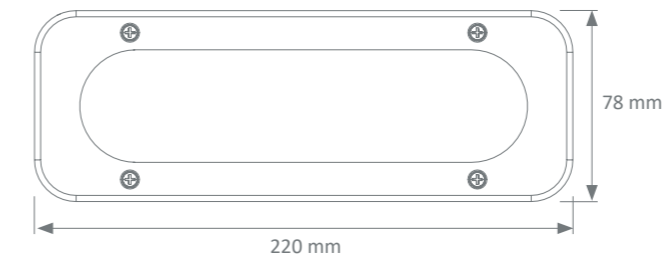
FLEX-E LIGHT

TECHNICAL FEATURES

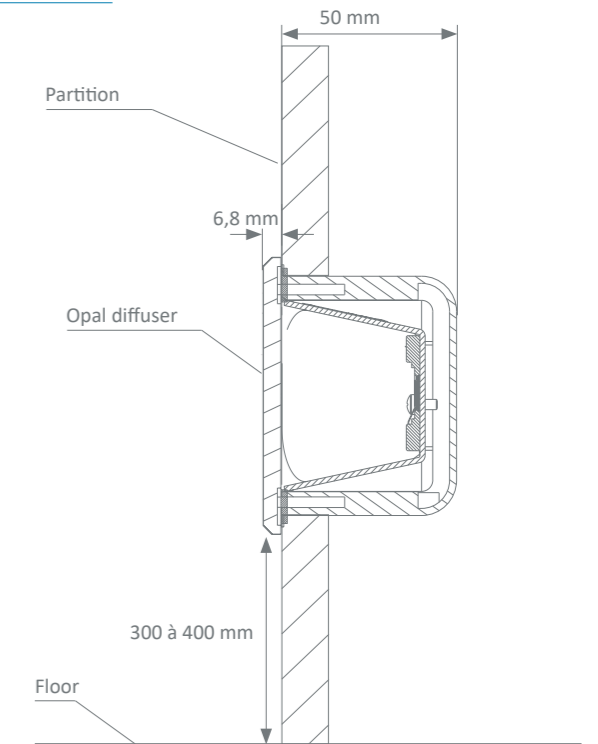
NATLYS is an orientation light that allows hospital staff or patients who need to leave their bed during the night to move without disturbing sleeping patients. The orientation light can be installed on plasterboard, plywood or wood panels.



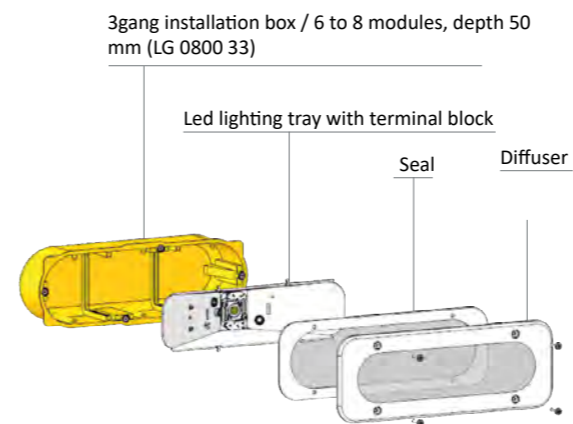
Front view



Side view



Exploded view



Driver

Fixed

Standards

Class I, 650°, IP20, IP65

Characteristics:

- Power supply: 220 - 240V ~
- Frequency: 50 - 60 Hz
- IK 08 on the front (5 joules)
- Colour : white RAL 9016
- CRI 90
- Light surface 185x45 mm
- IP65 only on the front panel (Secondary IP).

Standards:

- Complies with EN 60598-1
- DIRECTIVE 2014/35 / EU
- DIRECTIVE 2014/30 / EU

NATLYS

Lighting	Modules power	Type of sources	Colour Temperature	Level of illumination	Consumption	Driver	Efficiency energy class CRI 90
Orientation	3,1W	LED	3 000 K / 4 000 K	5 lux on the ground 292 lm	3,3W	ON	A+G D

• Luminous flux maintenance factor : L80B10 to 60 000 hours

• MacAdam Ellipse: 3 SDCM

• LED sources photobiological risk : GP1

⁽¹⁾ All the luminous flux indicated in the brochure are based on the flux of the LED modules also known as system flux.

Luminaire output flux = (Module flux) x (optical efficiency), the optical efficiency of the luminaire is indicated in the Eulumdat file (LDT line 23) available for download on our website or on request.



OT/ICU RESUSCITATION RANGE

- Special care bed head units
- Suspended columns
- Suspended beams
- Ceiling pendants
- Sealed lighting



SPECIAL CARE BED HEAD UNITS

MEDICAL GAS CASING	p.142
SILEA	p.148
FLUIDYS (horizontal mounting)	p.152
MULTIDYS	p.160
FLUIDYS (vertical mounting)	p.170
SIMPLE-CARE	p.176

TLV offers wall-mounted or recessed gas casing for the distribution of medical gases. They are suitable for OT/ICU Resuscitation. ABS / PC medical gas casings are available with flap for AFNOR gas outlets.



MEDICAL GAS CASING

■ WALL-MOUNTED MEDICAL GAS CASING (SILEA AND FLUIDYS PROFILES)

STANDARD CONFIGURATION

Number of outlets	Standard dimensions	Standard dimensions
	NF / DIN outlets	BS outlets
2	260 mm	290 mm
3	380 mm	410 mm
4	500 mm	545 mm
5	620 mm	680 mm
6	740 mm	815 mm
7	860 mm	950 mm
8	980 mm	1085 mm

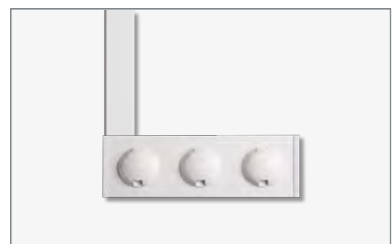
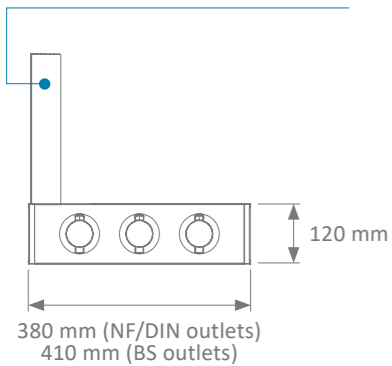
Colors

	WHITE RAL 9016	GREY RAL 9006	GREY RAL 7040
Aluminum profile	●	●	
Medical gas casing	●		●
End caps	●		●

■ Horizontal box

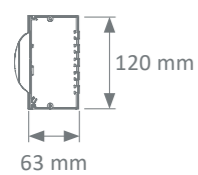
Front view

Feeding from the side or central section : 35x63 mm or 120x63mm

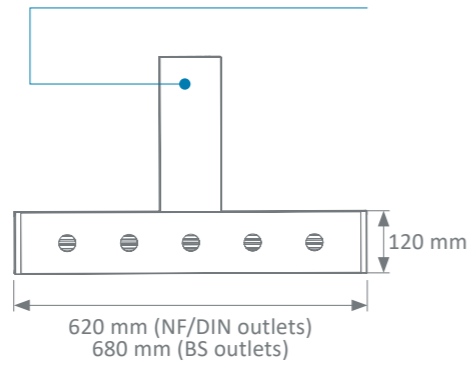


Medical gas casing without fitting

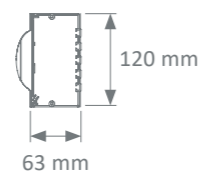
Cross-section



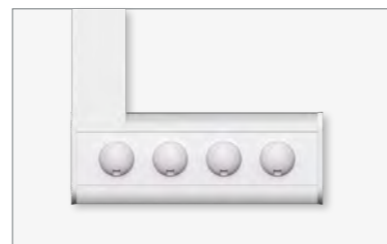
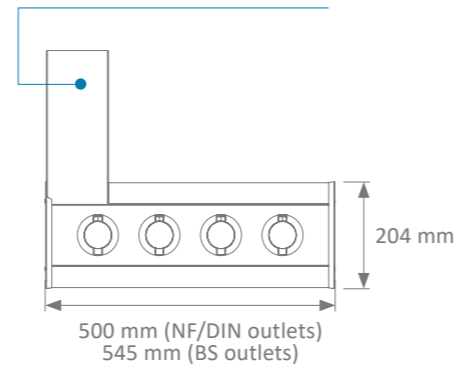
Feeding from the side or central section : 35x63 mm or 120x63mm



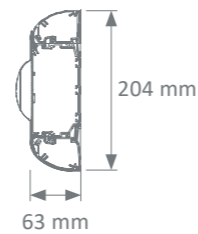
Medical gas casing without fitting



Feeding from the side or central section : 120x63 mm



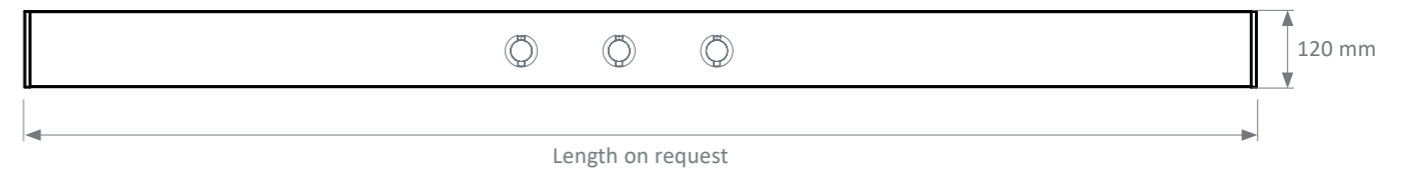
Medical gas casing with fitting up and down



CUSTOM MADE CONFIGURATION

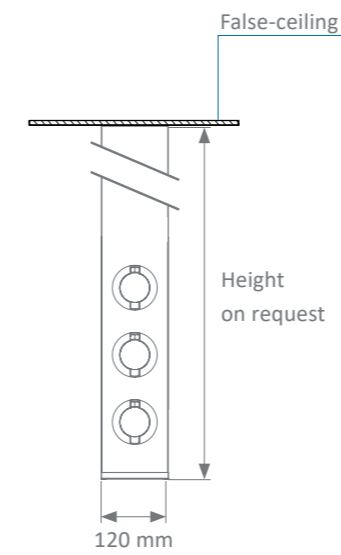
■ Horizontal unit

Front view

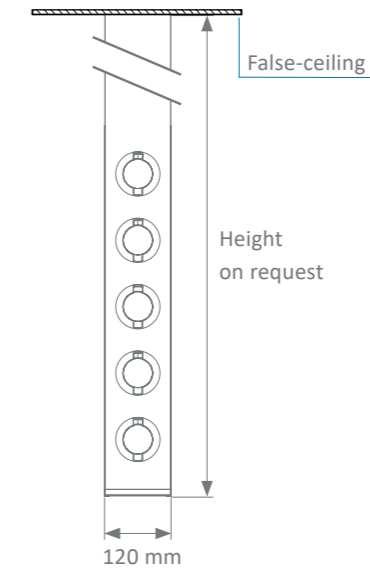


■ Vertical unit

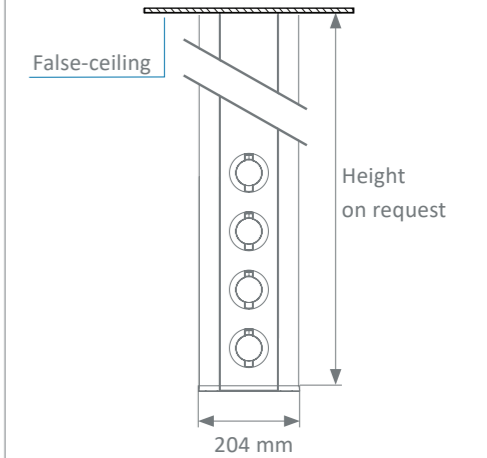
Front view



Medical gas casing without fitting

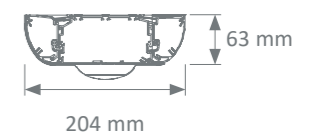
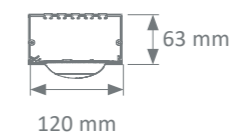
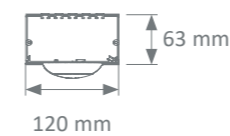


Medical gas casing without fitting



Medical gas casing with fitting

Cross-section



■ RECESSED MEDICAL GAS CASING (MULTIDYS FLUSH MOUNTED SUPPLY UNIT)

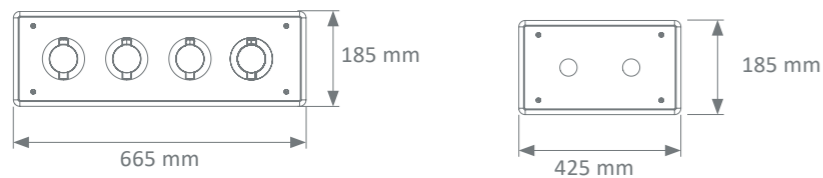
Colors

	WHITE RAL 9016	GREY RAL 9006	GREY RAL 7040	Other RAL
Front panel	●	●		Consult us
Medical gas casing	●		●	

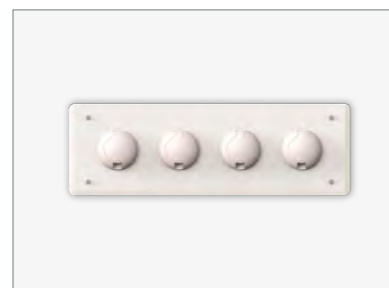
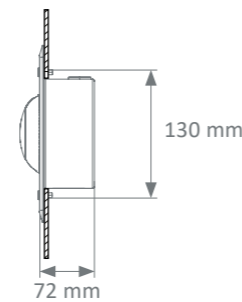
Standard dimensions - NF / DIN / BS outlets		
Number of outlets	Front panel overall dimensions L x W x D (mm)	Recessed cut out L x W (mm)
2	425 x 185 x 72 mm	370 x 130 mm
3	545 x 185 x 72 mm	490 x 130 mm
4	665 x 185 x 72 mm	610 x 130 mm
5	785 x 185 x 72 mm	730 x 130 mm
6	905 x 185 x 72 mm	850 x 130 mm
7	1025 x 185 x 72 mm	970 x 130 mm
8	1145 x 185 x 72 mm	1090 x 130 mm

■ Horizontal box

Front view



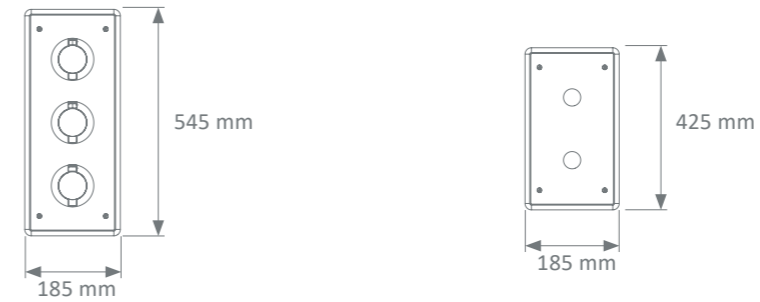
Cross-section



* NB : The installation company may re-inforce the plaster wall when the solution is recessed

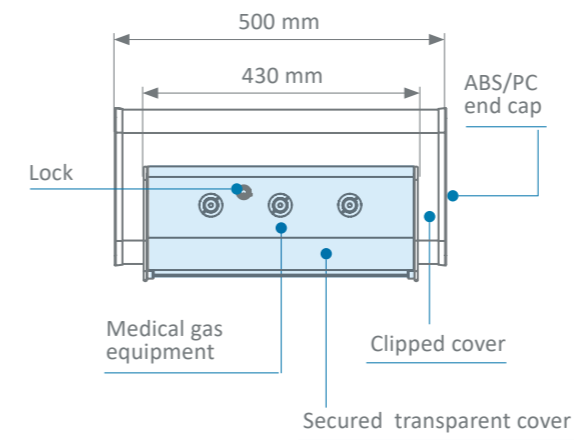
■ Vertical box

Front view

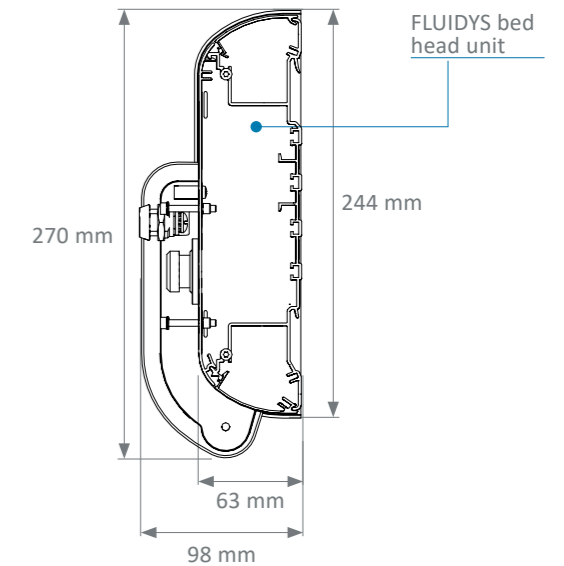


■ SECURED MEDICAL GAS CASING

Front view



Cross-section



The medical gas casing has a specific cover secured by key for medical gas. Made of PMMA (Polymethyl methacrylate), the transparent cover is resistant and can be adapted to environments requiring a maximum security. It has a high impact resistance rating IK 07.

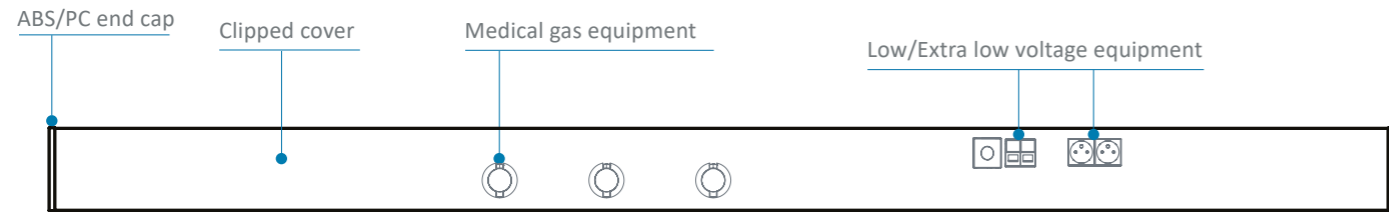
The SILEA special care bed head unit adapts to requirements of health professionals. It is available in horizontal or vertical version. It enables an easy access to electrical and medical gas equipments. The SILEA is suitable for intensive care or recovery room.



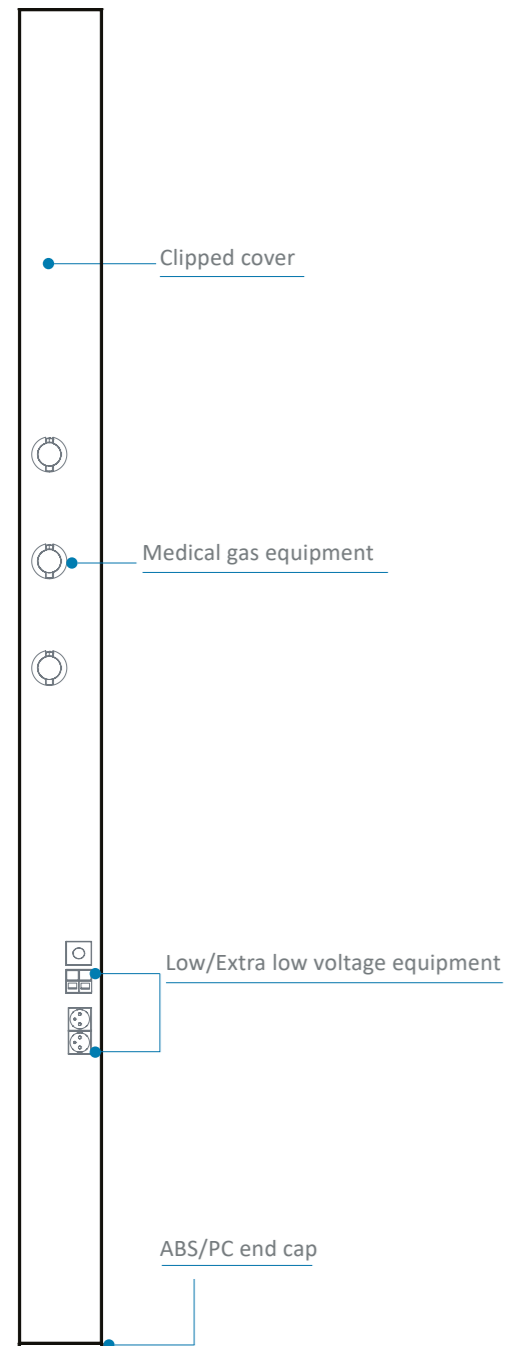
SILEA

Front view

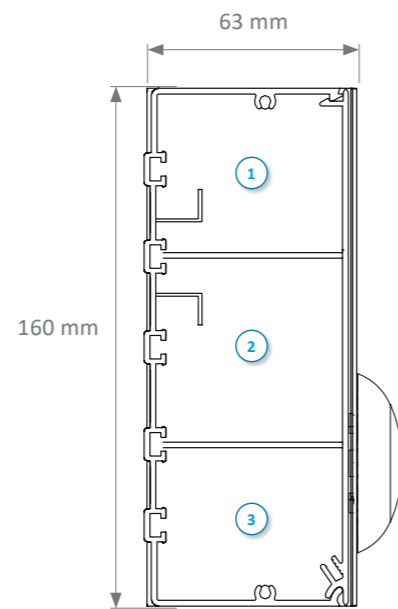
SILEA (horizontal)



SILEA (vertical)



Cross-section



- ① Extra low voltage compartment
- ② Low voltage compartment
- ③ Medical gas compartment

Colors

	White RAL 9016	Grey RAL 9006	Grey RAL 7040
Aluminum profile	●	●	
Gas casing	●		●
End caps	●		●

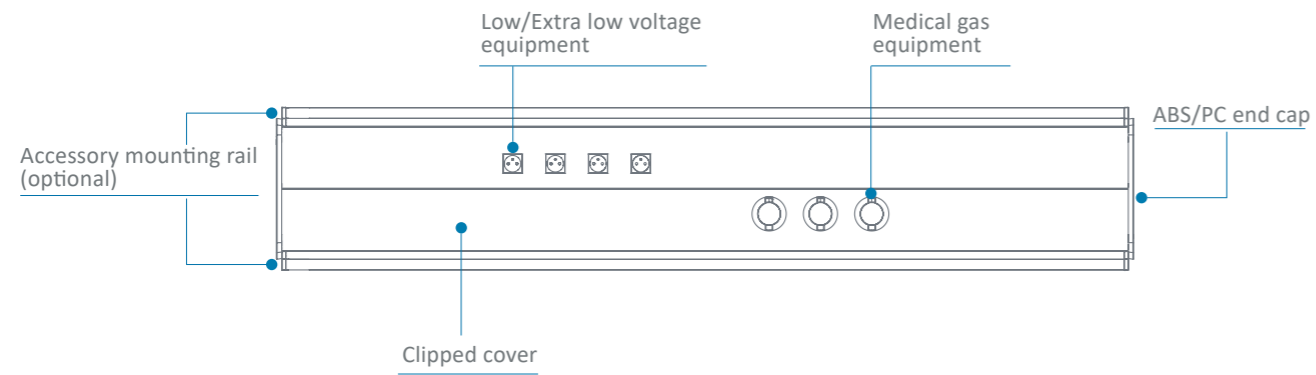


The horizontal FLUIDYS bed head unit was designed to be ergonomic and user-friendly for healthcare professionals. It is perfect for intensive care units or recovery rooms. Custom-made, it enables flexibility and modularity equipment to match the healthcare teams needs. All functionalities are grouped into one system: medical gas equipment, low and extra low voltage equipment, lighting (optional) or accessory mounting rail (optional).



FLUIDYS

Front view



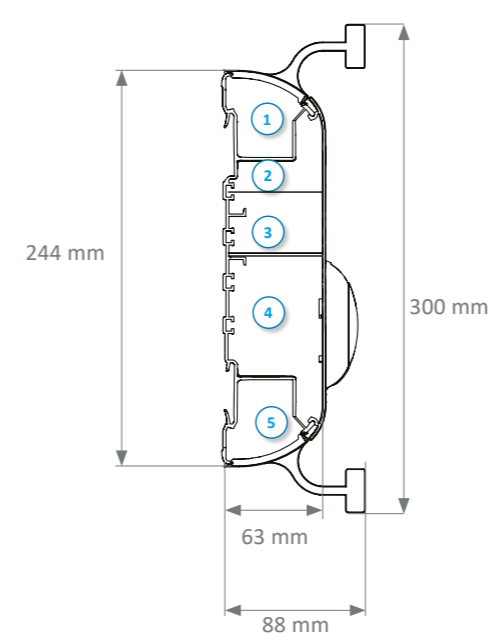
Colors

	White RAL 9016	Grey RAL 7040	Grey RAL 9006	Anodized
Aluminum profile	●		●	
End caps	●	●		
Gas casing	●	●		
Rail(s)				●

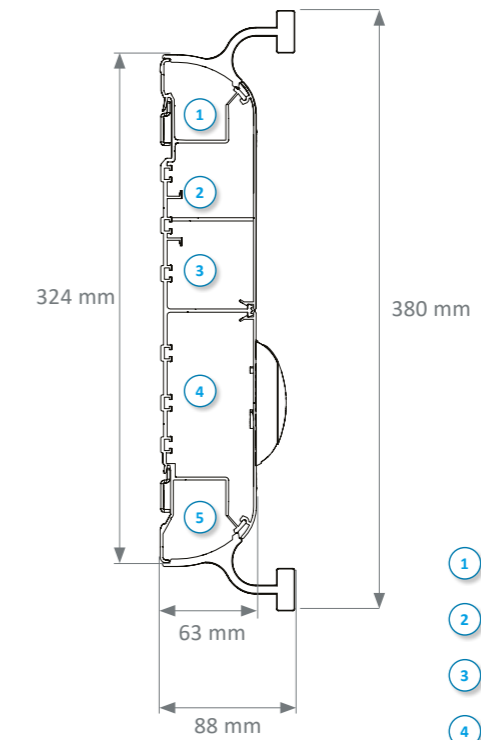


Cross-section

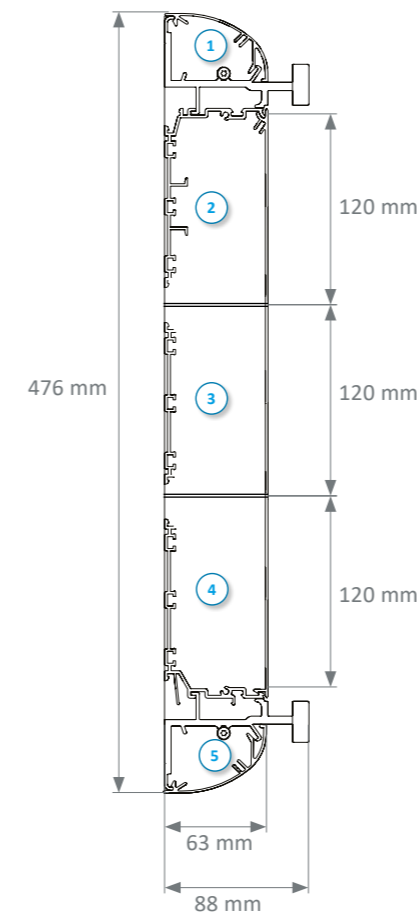
Fluidys Mono



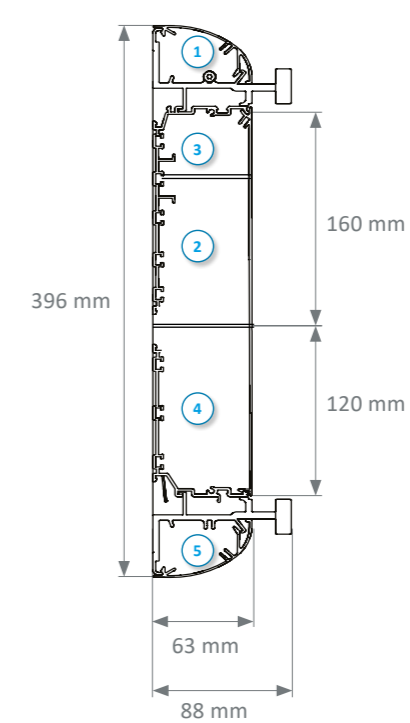
Fluidys Duo



Fluidys 3 x 120



Fluidys 160 + 120

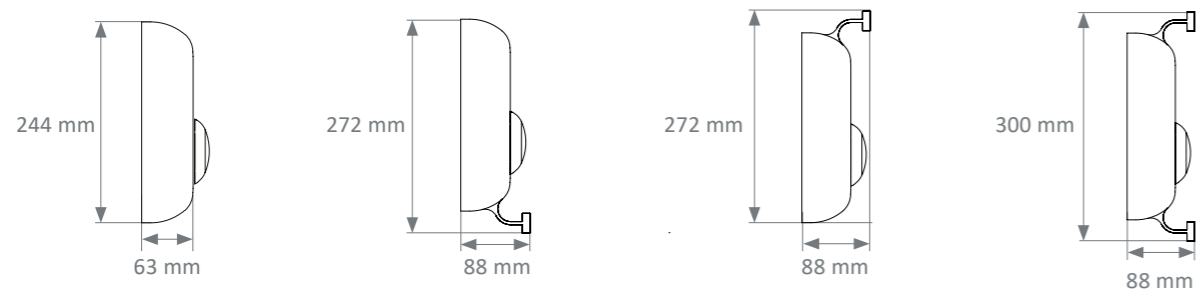


- ① General lighting compartment
- ② Extra low voltage compartment
- ③ Low voltage compartment
- ④ Medical gas compartment
- ⑤ Reading lighting compartment

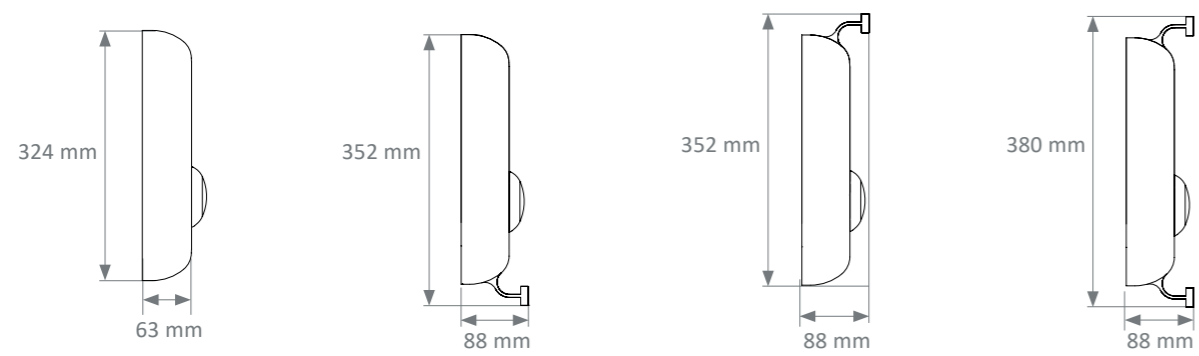
The Fluidys is available in monobloc or multiprofiles. See the various version offered on page 164.

Configuration examples

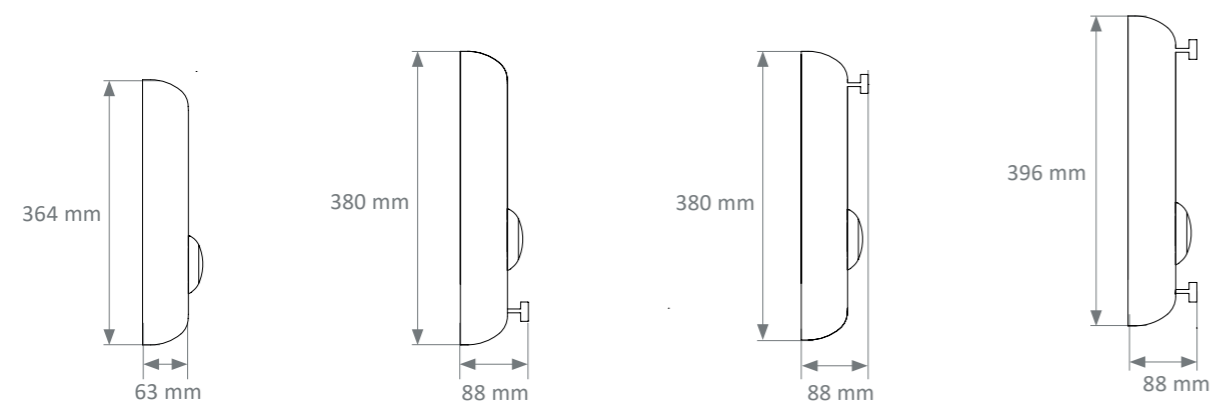
Fluidys Mono*



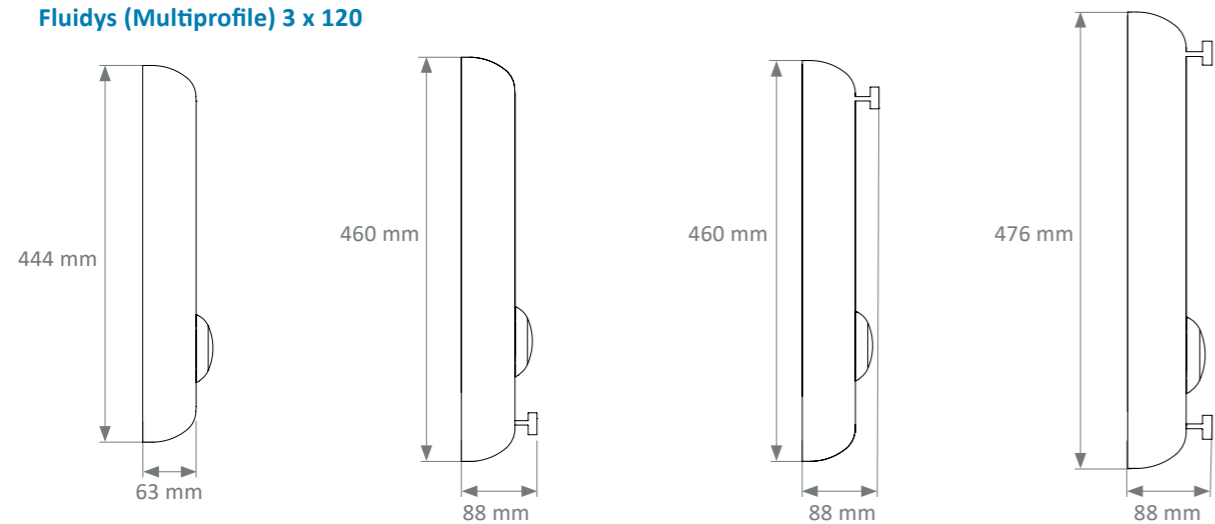
Fluidys Duo *



Fluidys (Multiprofile) 160 + 120



Fluidys (Multiprofile) 3 x 120



Rail(s)

The accessory mounting rails can accommodate several pieces of biomedical equipment. Loading capacity: upper rail 50 kg /m and lower rail 20 kg /m.

Trolley(s)

The sliding trolleys with \varnothing 38 mm stainless steel tubes are used to carry shelves and drawers with a loading capacity of 90 kg.

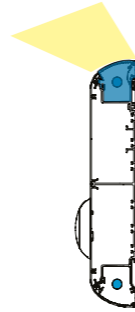


CONTROLLED LIGHTING

The FLUIDYS horizontal special care bed head unit allows the option of integrating indirect and/or direct lighting, with or without rail.

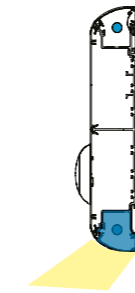
General lighting

- Extruded polycarbonate diffuser
- MIRO 20 SILVER® aluminum reflector



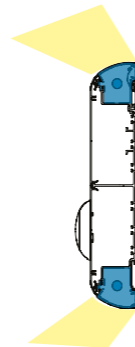
Reading lighting

- Extruded polycarbonate diffuser
- MIRO 20 SILVER® aluminum reflector



Caring lighting

Caring lighting combines direct (reading) lighting with indirect (general) lighting.



Lighting power**

Lighting	Modules power	Types of sources	Color temperature	Luminous Flux ⁽¹⁾	Consumption	System Efficiency	Driver(s)
General lighting	35,9 W (4 Ft)	LED	3000 K 4000 K	5965 lm	42,2 W	141,4 lm/W	Fixed / DALI
	44,3 W (5 Ft)	LED	3000 K 4000 K	7390 lm	51,1 W	143,6 lm/W	Fixed / DALI
General lighting (Dynamic lighting)	54,8 W (5 Ft)	LED	2700 K to 6500 K	7300 lm	62,4 W	117 lm/W	DALI
Reading lighting	16,1 W (2 Ft)	LED	3000 K 4000 K	2581 lm	19,8 W	130,5 lm/W	Fixed / DALI
Night light	1 x 3,1 W	LED	3000 K	292 lm	3,3 W	89,8 lm/W	Fixed

- Luminous flux maintenance factor : L80B10 to 60 000 hours
- MacAdam Ellipse: 3 SDCM
- LED sources photobiological risk : GP1

⁽¹⁾ All the luminous flux indicated in the brochure are based on the flux of the LED modules also known as system flux.

Luminaire output flux = (Module flux) x (optical efficiency), the optical efficiency of the luminaire is indicated in the Eulumdat file (LDT line 23) available for download on our website or on request.





The recessed Multidys solution provides ideally extra low, low voltage and gases. It particularly suits the needs of the caring personnel.

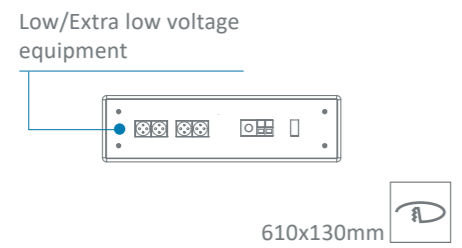
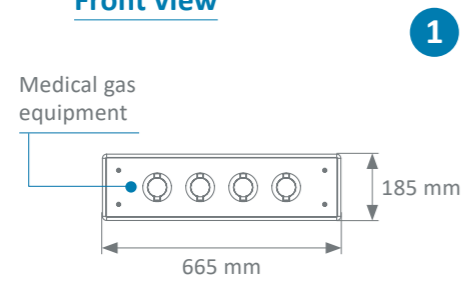
In Operating Theatre this device can be used in addition to the TECH-CARE pendants.



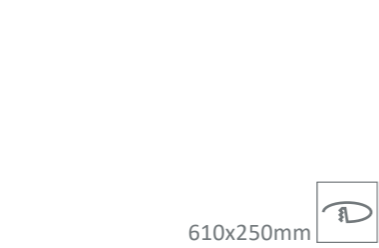
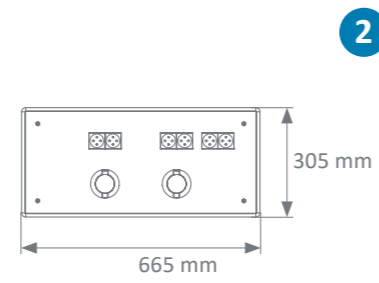
MULTIDYS AND FLUIDYS RECESSED RANGE

TECHNICAL CHARACTERISTICS

Front view

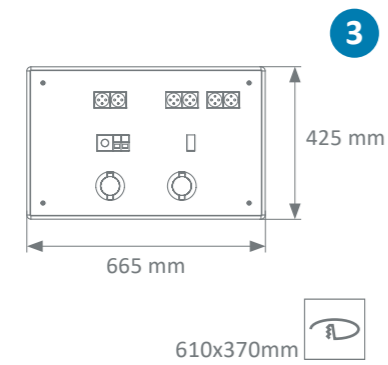
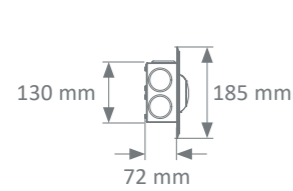


1

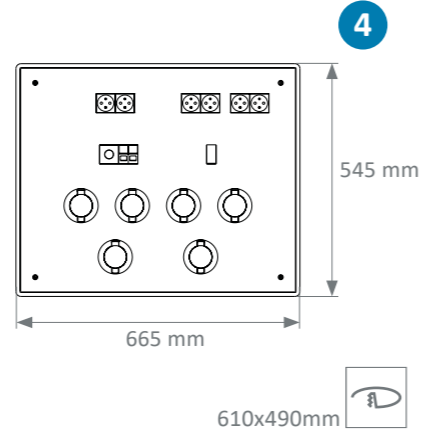
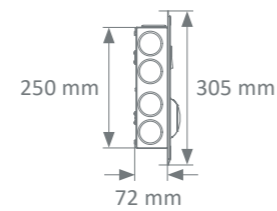
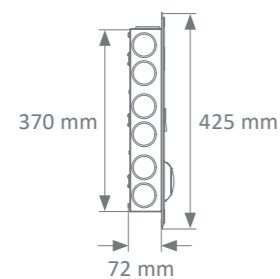


2

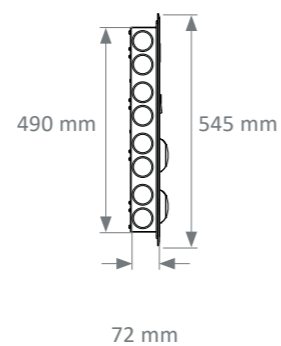
Cross-section



3



4



Supplies

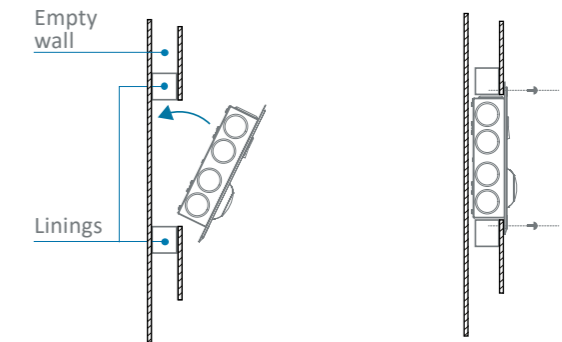
- MULTIDYS is designed to be fed :
- From the ceiling, via a flush mounted duct (A)
 - From the side, via two or three supplies per channels (B)



Installation

Because it is quick and easy to recess into the wall, the bed head unit saves time and labor.

The installation company is required to provide linings on the partition for MULTIDYS installation.



Colors

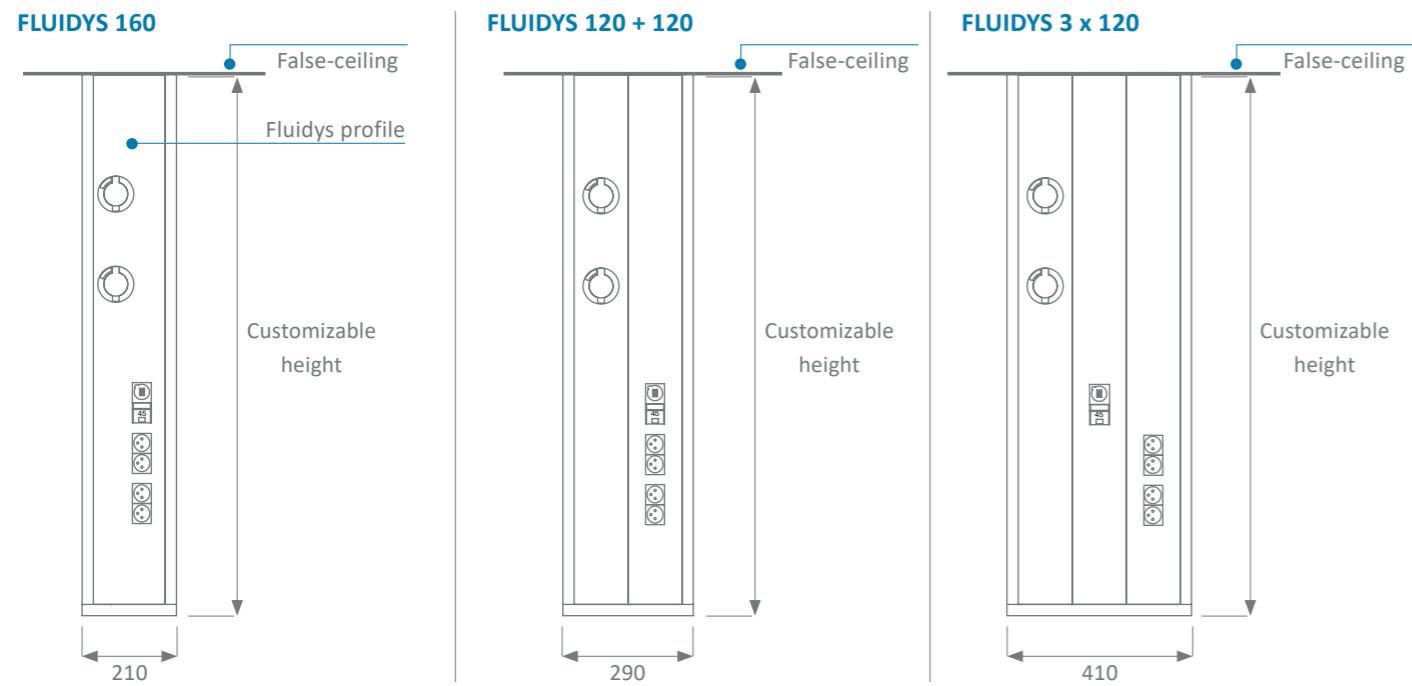
	WHITE - RAL 9016	GREY - RAL 9006	GREY - RAL 7040
Standard Aluminium cover	●	●	
Medical gas casing (only if French type gas outlets)	●		●



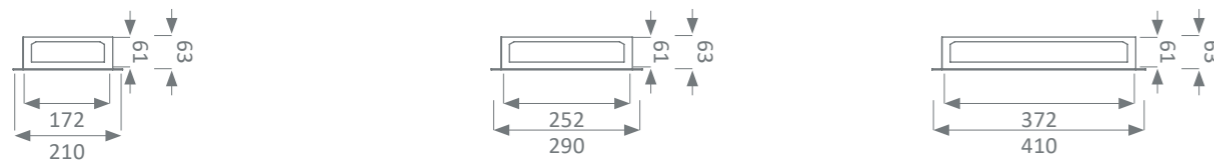
RECESSED FLUIDYS BED HEAD UNIT

TECHNICAL CHARACTERISTICS

All configurations are available in horizontal version



Cross-section



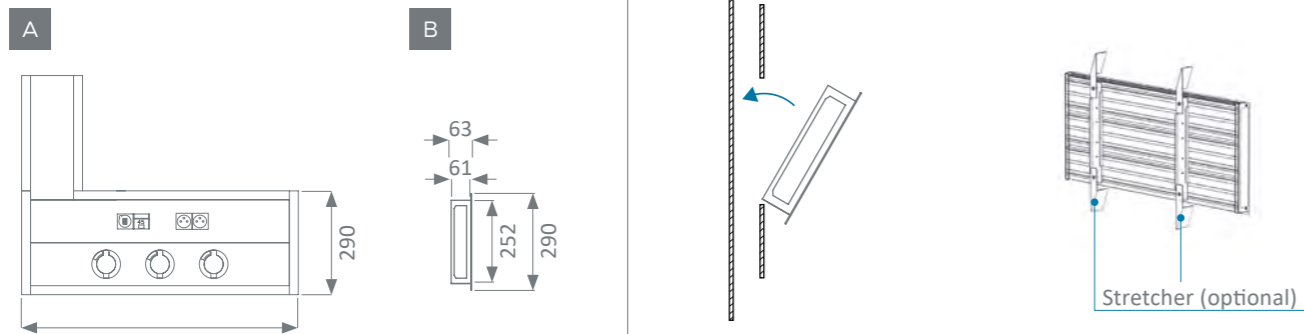
Supplies

This product is designed to be fed :

- From the ceiling, via a flush mounted duct (A)
- From the side, via three supplies per channel (B)

Installation

Because it is quick and easy to recess into the wall, the product unit saves time and labor.



Colors

	WHITE - RAL 9016	GREY - RAL 9006	GREY - RAL 7040
Custom made cover	●	●	
Medical gas casing (French type)	●		●

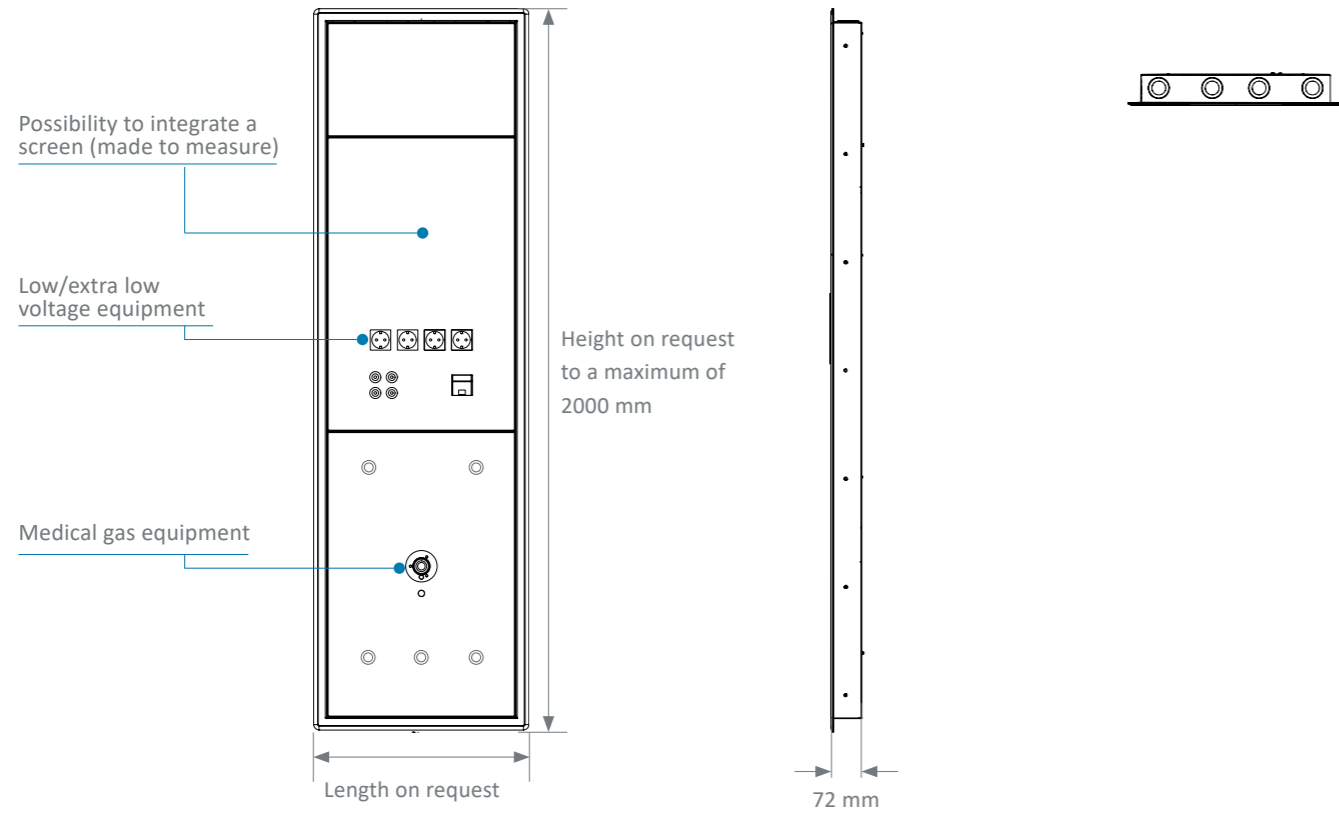


■ TECHNICAL CHARACTERISTICS

Front view

Side cross-section

Top cross-section

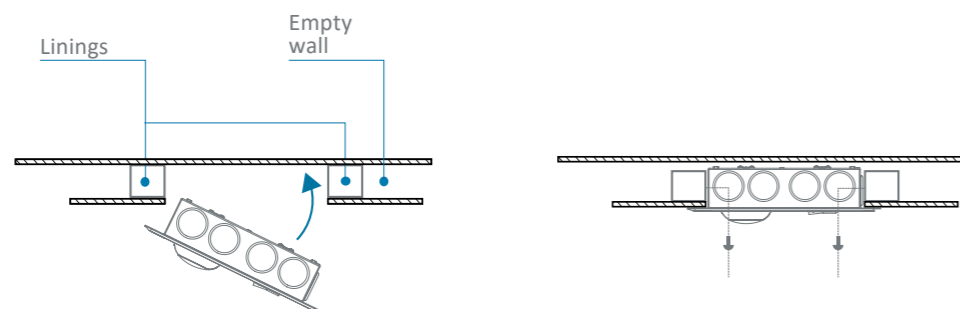


The MULTIDYS panel is made-to-measure. Manufactured in stainless steel or powder coated steel RAL 9016, it enables the distribution of low, extra low voltage and medical gases.

The product is recessed in the partition. For that, a minimum depth of 72 mm is required.

Installation

Because it is quick and easy to recess into the wall, this product saves time and labor. The installation company is required to provide linings on the partition for MULTIDYS installation.



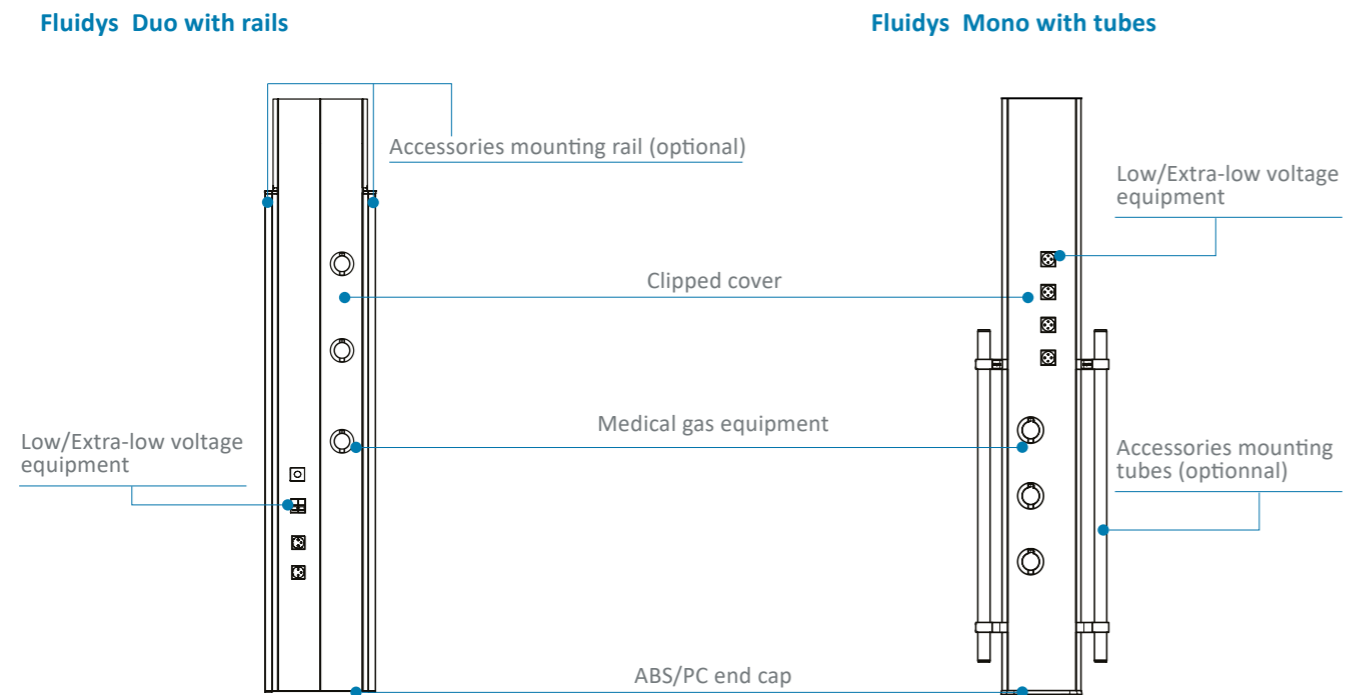


FLUIDYS special care bed head unit is suitable for intensive care units or recovery rooms. Custom-made, it enables flexibility and modularity equipment to match the healthcare teams needs. All functionalities are grouped into one system: medical gas equipment, low and extra-low voltage equipment or accessories mounting rail (optional).



FLUIDYS

Front view



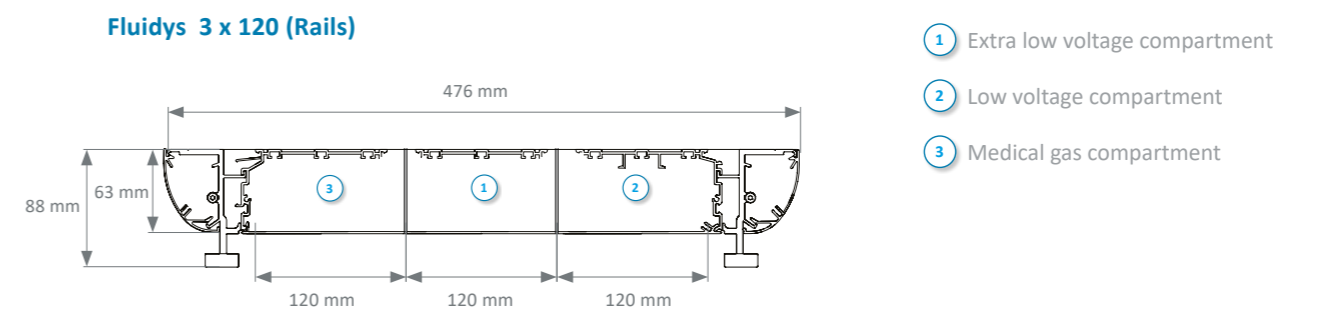
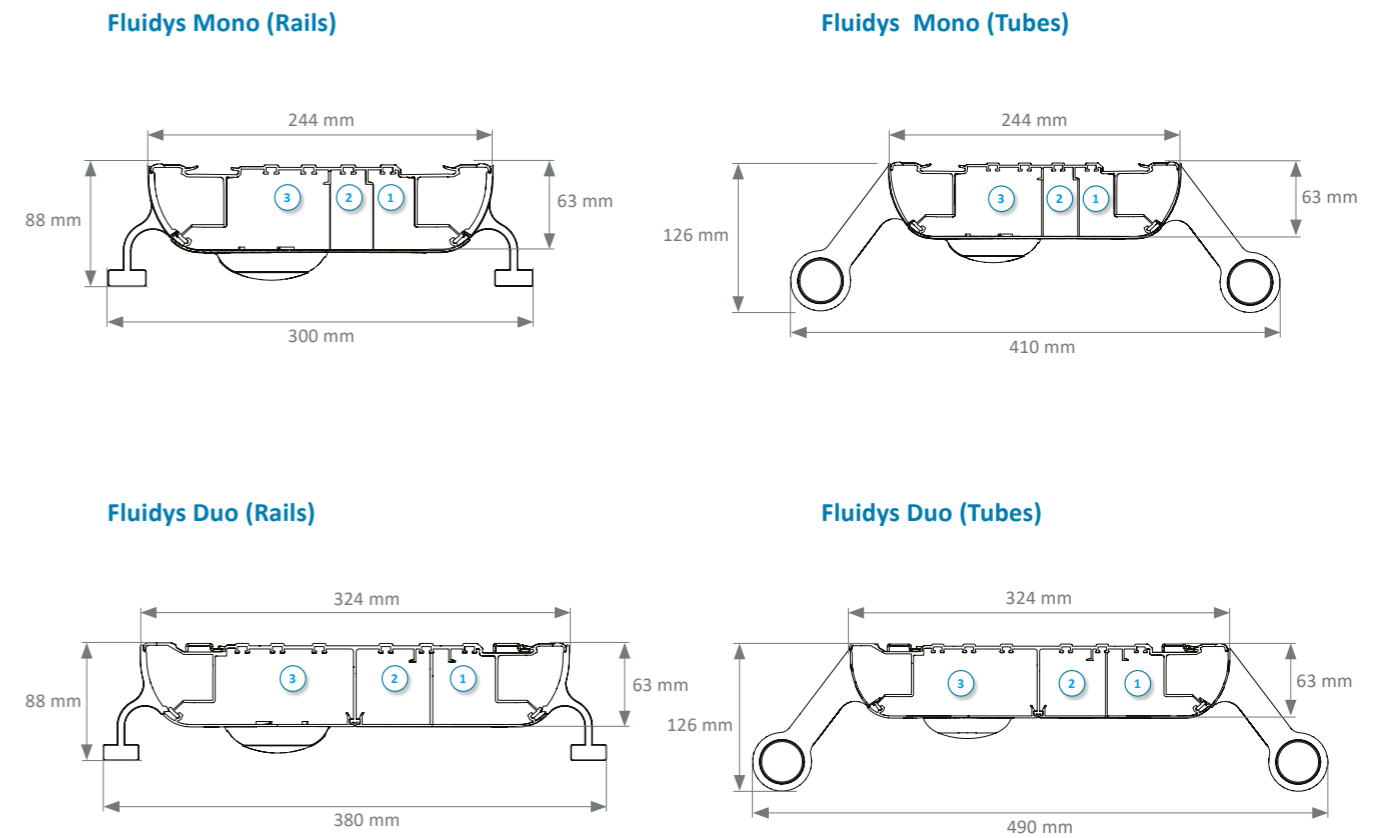
Coloris

	WHITE RAL 9016	GREY RAL 7040	GREY RAL 9006	ANODIZED	STAINLESS STEEL
Aluminum profile	●		●		
End caps	●	●			
Gas casings	●	●			
Rail(s)				●	
Tube(s)					●

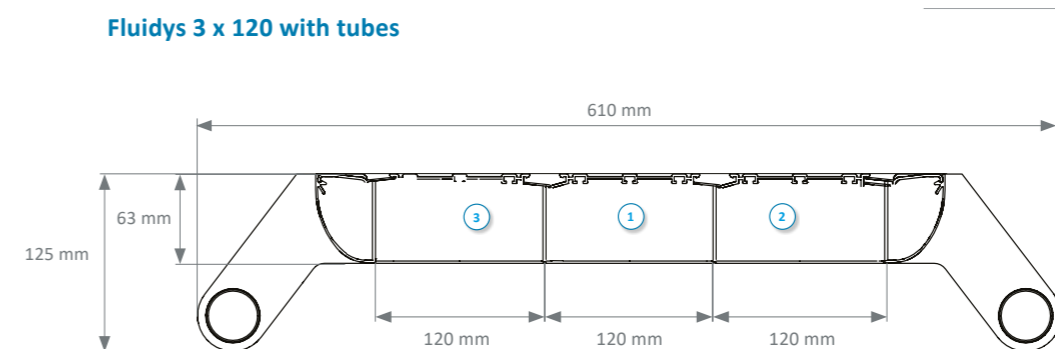
The accessories mounting rails or tubes can accommodate several pieces of biomedical equipment including tray and drawer units. Their loading capacity is 100 kg (for each rail).



Cross-section



- ① Extra low voltage compartment
- ② Low voltage compartment
- ③ Medical gas compartment

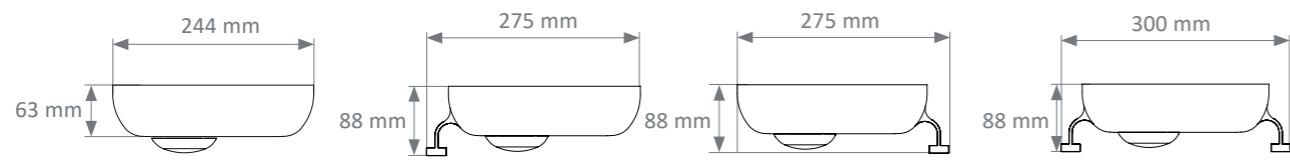


The vertical Fluidys is available in monobloc or multi-profiles. See various version offered on page 178.

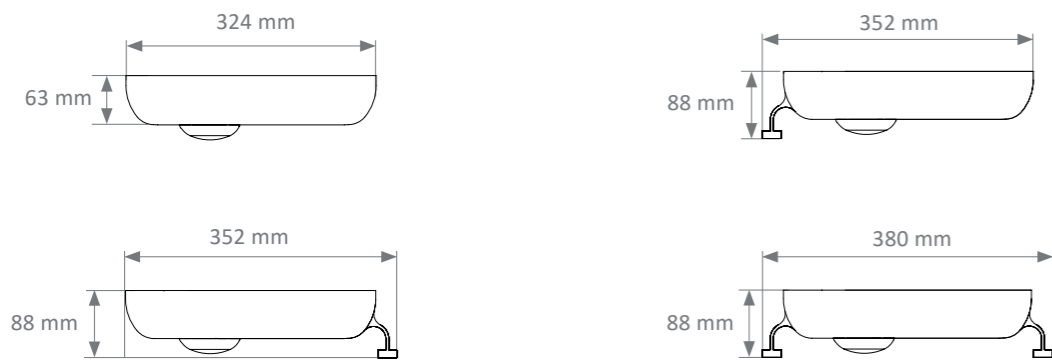
CONFIGURATIONS

Configuration examples

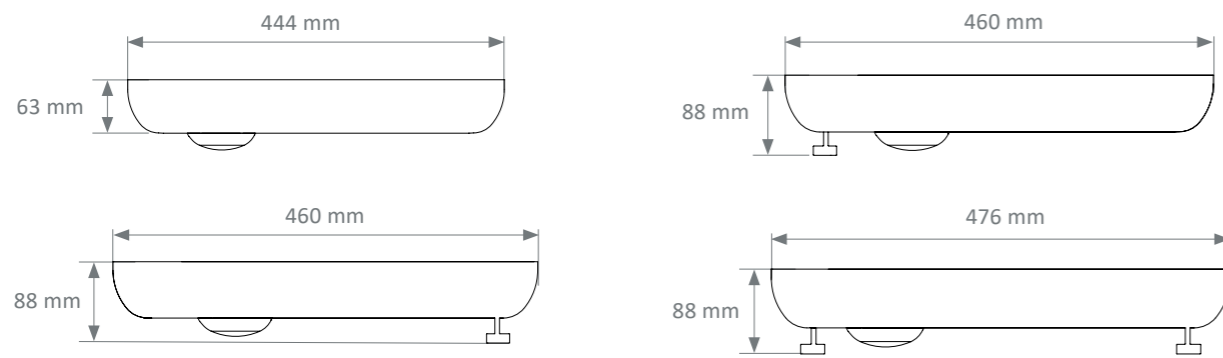
Fluidys Mono



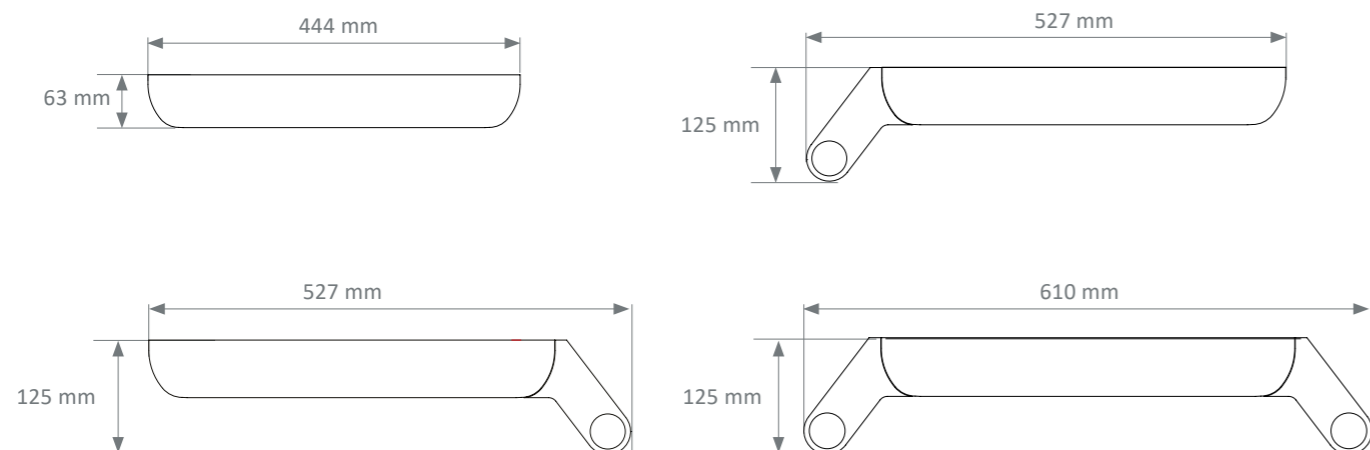
Fluidys Duo



Fluidys 3 x 120



Fluidys 3 x 120 with or without tubes

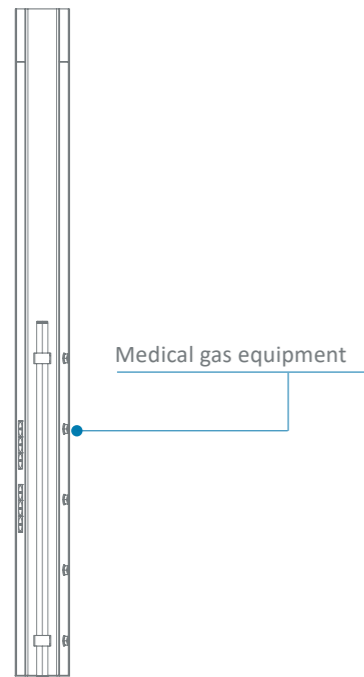


The SIMPLE-CARE special care bed head unit offers many possible options for integrating electrical and medical gas equipment. It enables mounting several accessories for the connection and attachment of all biomedical accessories, such as stainless steel tube(s), tray(s) and drawer(s) or examination lamp. It can be combined with a wall mounted lighting unit from TLV range.

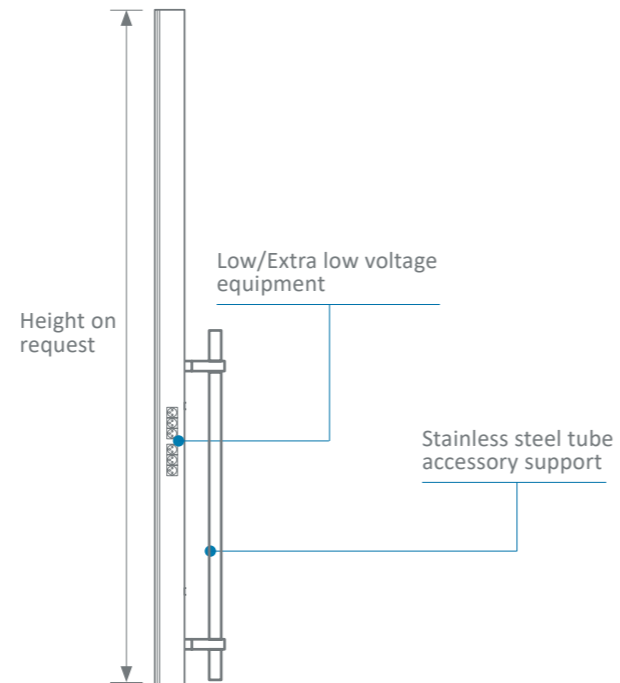


SIMPLE-CARE

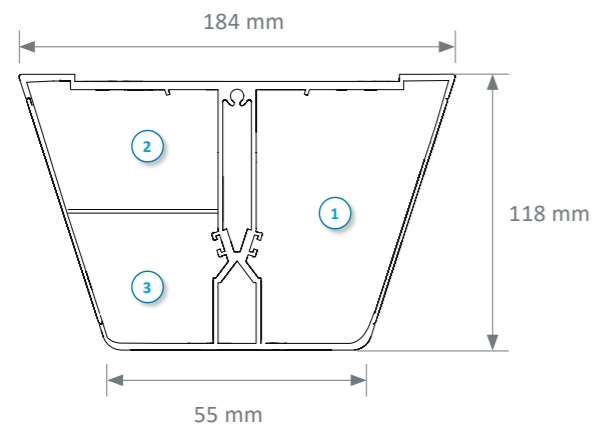
Front view



Side view



Cross-section



- ① Medical gas compartment
- ② Low voltage compartment
- ③ Extra low voltage compartment

Colors

	White RAL 9016
SIMPLE-CARE	●

Equipment

The profile may be equipped, if necessary, with a stainless steel tube $\varnothing 38$ accessory support on the front, to mount biomedical accessories and/or tray/drawer units with up to 100 kg payload.



Lighting

Combined with a wall-mounted lighting unit from the TLV range, the SIMPLE-CARE provides a comfortable, high-performance lighting solution to help to the well-being of patients and healthcare professionals.

The vertical unit can optionally be equipped with:

An examination lamp on articulated arm



LED night light built into the bottom fitting.







SUSPENDED COLUMNS

MULTICARE EVOLUTION

p.184

FLUIDYS CONCEPT FOR
AMBULATORY USE

p.192

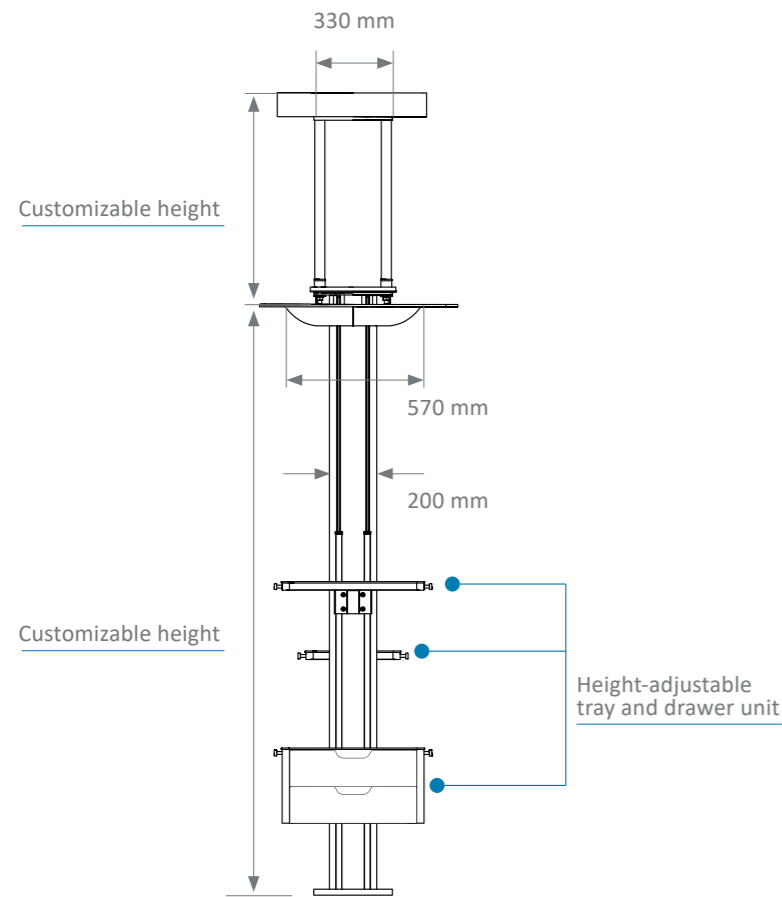
The MULTICARE EVOLUTION column is ideal for the distribution of medical gases and extra low/low voltage supplies in recovery rooms, intensive care units, resuscitation units, or other OT/ICU Resuscitation departments.

Its ergonomics makes it adaptable to the treatment area and optimizes access to the patient and the care team's work area.

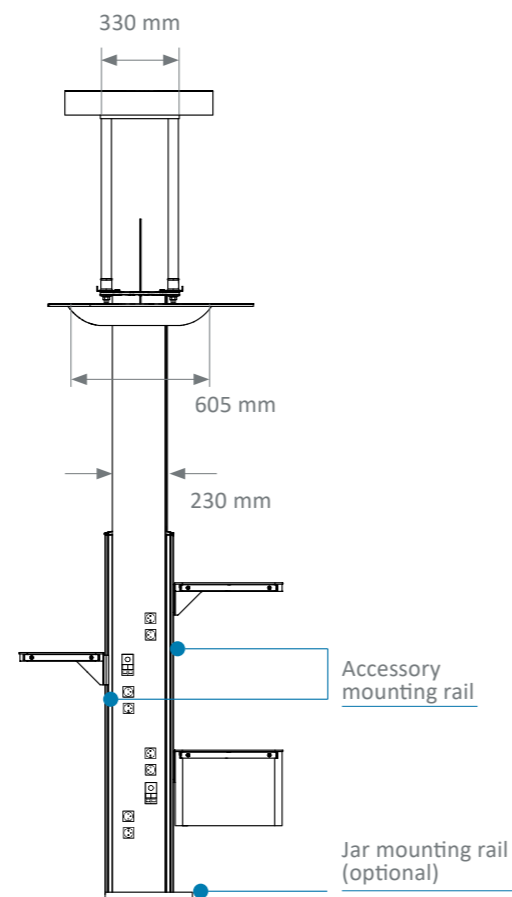


MULTICARE EVOLUTION

Front view



Side view



Colors

White RAL 9016	●
MULTICARE EVOLUTION	●



The MULTICARE EVOLUTION column is ideal for the distribution of medical gases and extra low/low voltage supplies in recovery rooms, intensive care units, resuscitation units, or other OT/ICU Resuscitation departments. Its ergonomics makes it adaptable to the treatment area and optimizes access to the patient and the care team's work area. It can support a payload of 200 kg

Rails

Several pieces of biomedical equipment can be hung thanks to the accessories mounting rails, located on the front and back.



The column can incorporate an optional jar support, located at the bottom.



Drawers

See Accessories available on page n°300

Extra tube system to hold accessories

This device clamps onto the vertical service head and makes it possible to hang main biomedical accessories.



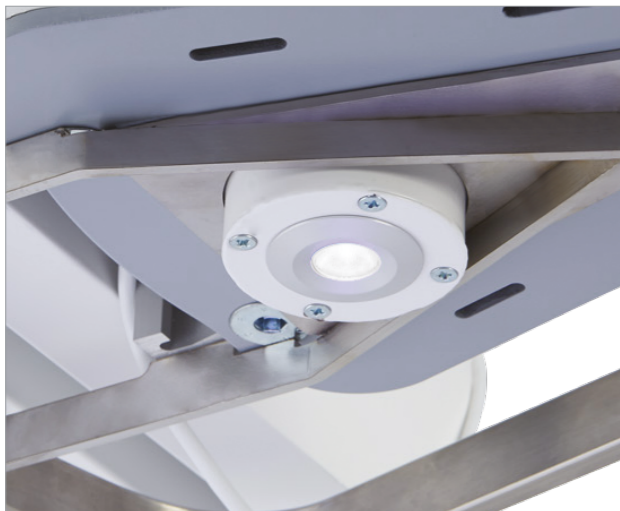
LIGHTING

The MULTICARE EVOLUTION column can incorporate the following optional equipment:

- Examination lighting mounted on an articulated arm, with maximum travel 1857 mm



- LED night light at the bottom (1.2 W)



- Treatment or minor surgery lighting mounted on an articulated arm, with maximum travel 1330 mm



- A FLEX-E LIGHT spot reading light (grey)



- 360° Column Low Circulation Light DALI





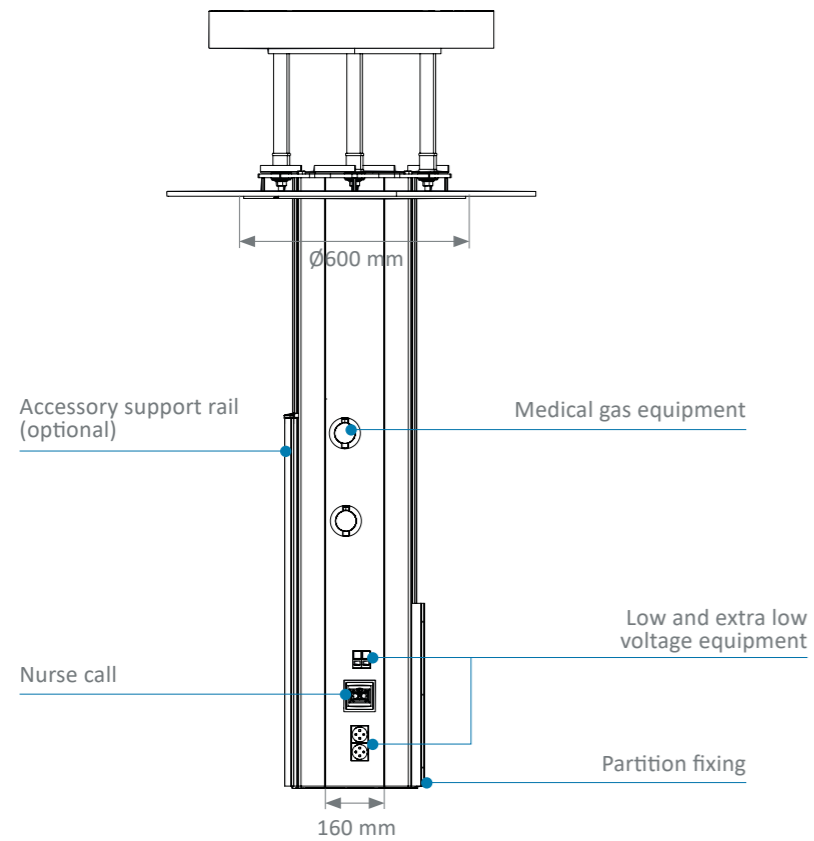


The ambulatory concept is manufactured with FLUIDYS suspended profiles to which wooden panels are attached. These custom partitions enable the patient to be isolated from activity and from other people. It preserves comfort and privacy.

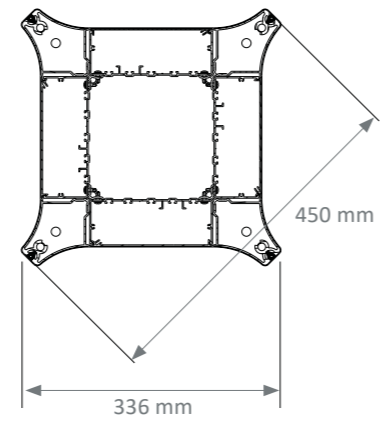
FLUIDYS CONCEPT FOR AMBULATORY USE

The custom-made design of the panels, in 10 mm HPL, ensures optimum stability. They can be cut to the size and shape of your choice *. Only one supply point is necessary for 4 treatment stations. It is suspended from the ceiling and the partitions stand on feet to ensure optimal asepsis and easy cleaning.

Front view



Cross-section



Example configuration



*Within the limit of the maximum dimension of the panel

For TLV's laminate panel colors, see page 302

Hinged door (optional)



The hinged doors located on the partitions enhance privacy while contributing to the overall design of the space.

Rotating shelf (optional)

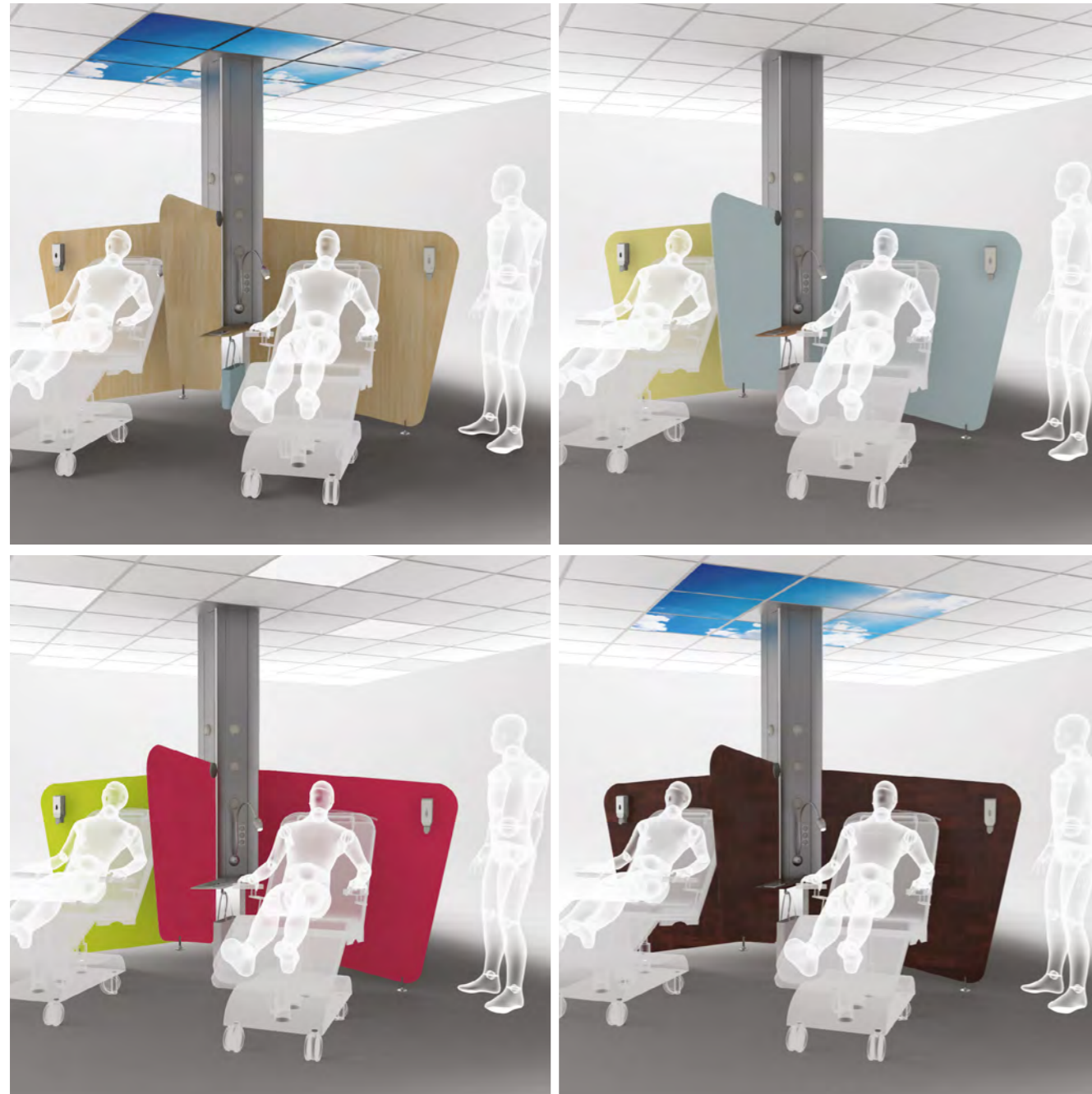


The custom-made rotating shelf allows you to use it as a snack tray and / or to put the patients belongings.

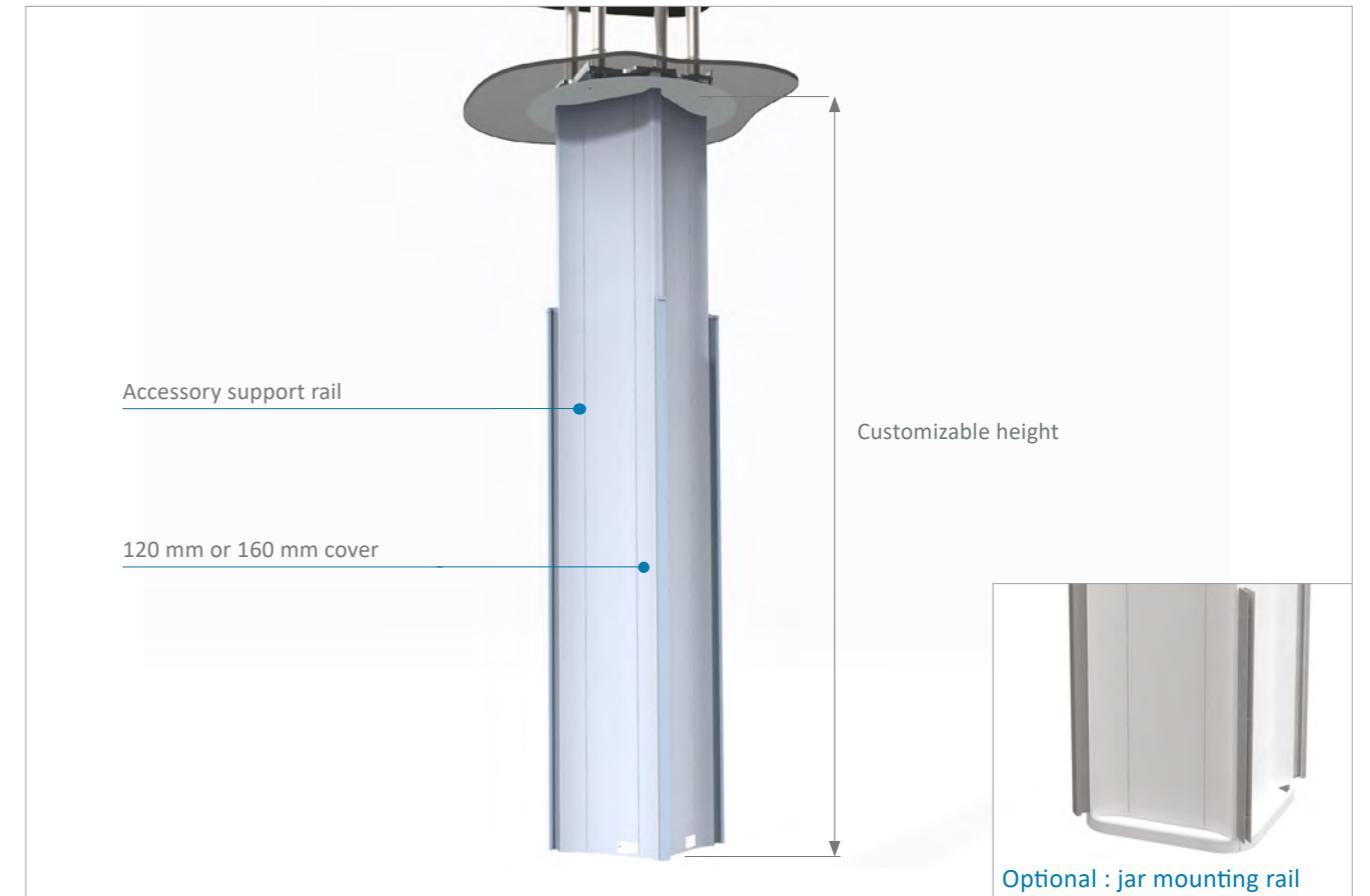
FLEX-E LIGHT (as option)



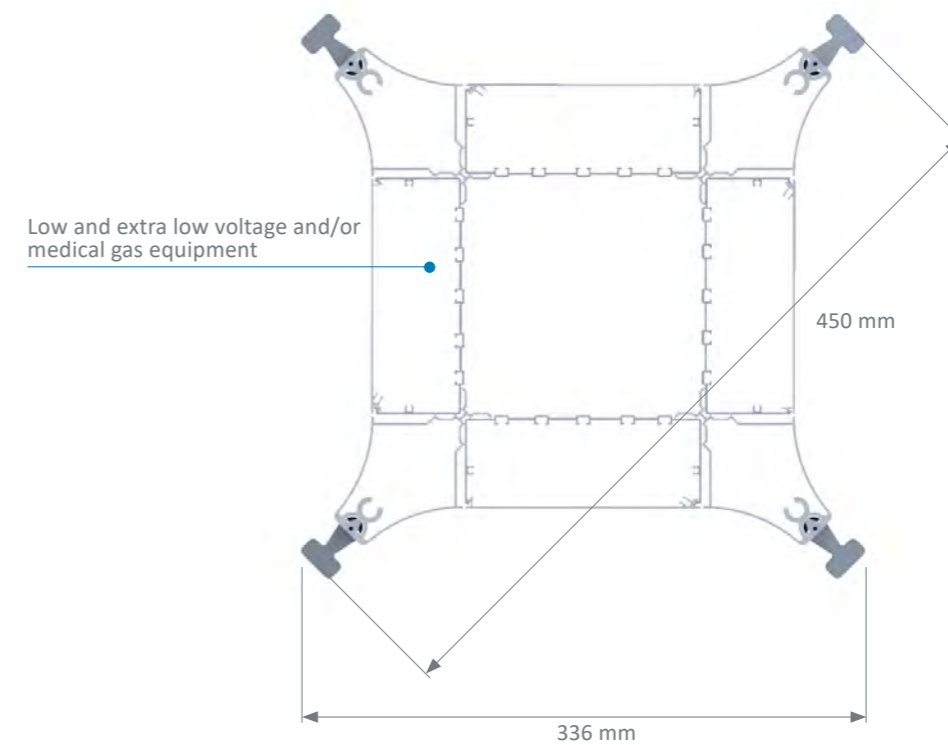
A spot makes it possible to discreetly integrate reading lighting on the bed head unit.



The 4 sides FLUIDYS column can be equipped with or without accessory support rail depending on the needs.



Cross-section (160 mm cover)



Registered models





SUSPENDED BEAMS

HI-CARE
FLUIDYS

p.202
p.216

The HI-CARE peripheral suspended beam optimizes the quality of surgical procedures by giving surgeons, anesthesiologists, and OR teams easy access to electrical power supplies and medical gases, which can easily be positioned within arm's reach. Patient access, working conditions, and cleanliness of treatment areas are therefore optimized.



HI-CARE

FUNCTIONALITY

The advantage of the multidisciplinary operating room concept is that it pools most of the human resources in the anesthesia and surgical teams and therefore improves patient rotation and the sequence of programs, while centralizing activities in a single location.

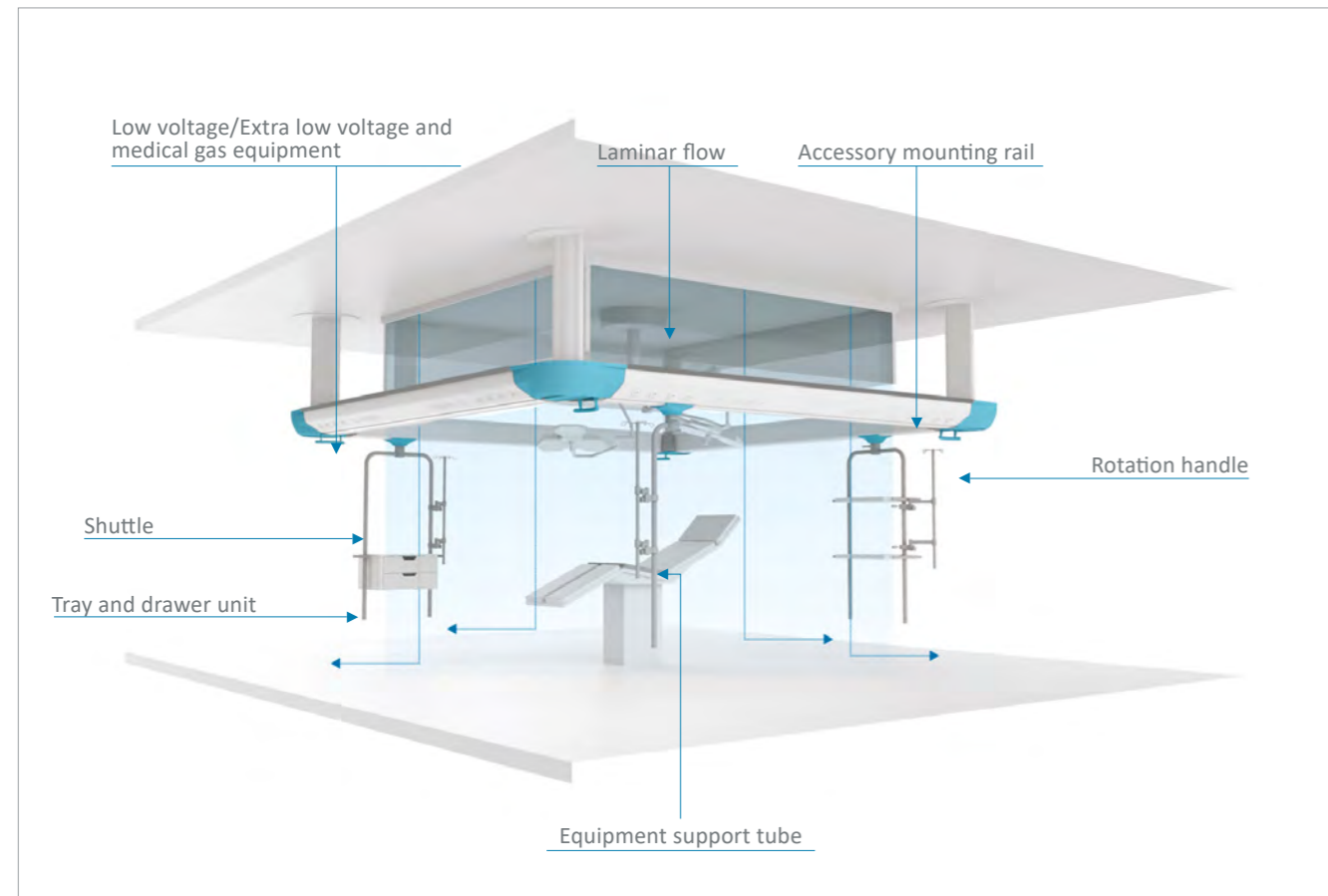
It also has the advantage of allowing shared use of heavy equipment, reducing the need to move it around. It also adapts to most types of table: Fixed, transfer, or mobile, so that their accessories can be shared.

HI-CARE offers significant time savings in terms of OR availability. With its rounded shapes and smooth surfaces and thanks to the flush-mounting of all equipment, it is easy to clean and disinfect after each procedure.

Air flow

HI-CARE is carefully designed to be compatible with all (laminar flow) air filtration ceiling-mounted systems. It contributes to reduce the risk of infection and airborne contamination thanks to the centralisation of equipment in a single unit with a small space requirement.

It also offers the opportunity to protect the air flow in the surgical area from peripheral turbulence by equipping it with additional glass shielding made by the external suppliers of your choice (air processing specialists).



EQUIPMENT

Integration of electrical equipment

Waterjet cutting gives HI-CARE's cover a precise, custom finish. This allows the possibility of integrating sockets and outlets of all different shapes. Electrical devices are flush-mounted, for easy cleaning and disinfection of the product.



Integration of gases

Every type of gas outlet standard (DIN, BS, AFNOR) can be integrated into the beam.



Thanks to these various configurations, the HI-CARE beam provides a modular concept to suit most situations and fulfil the needs of surgical teams.

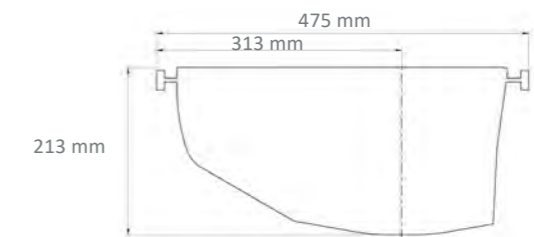
Rails

The HI-CARE beam incorporates a 25 x 10 mm accessory mounting rail on its inner and outer faces all along its periphery.

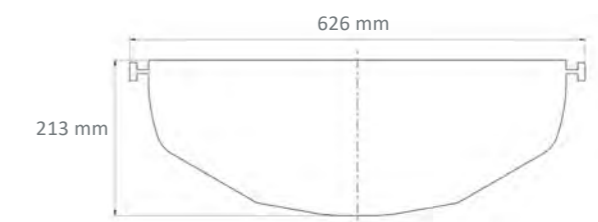


Beam characteristics

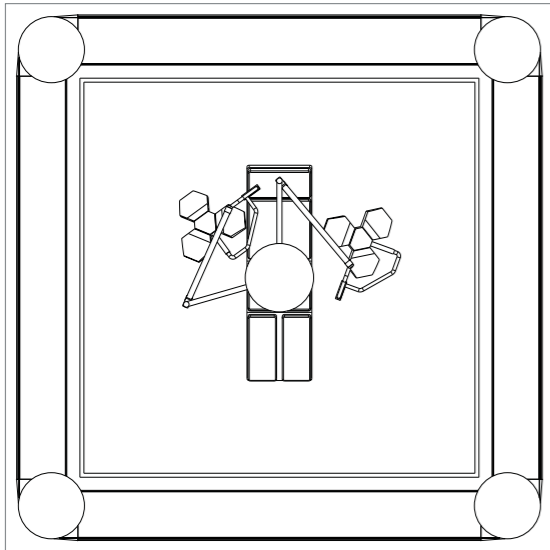
Outer face equipped with power sockets and medical gas outlets. Outer and inner rails.



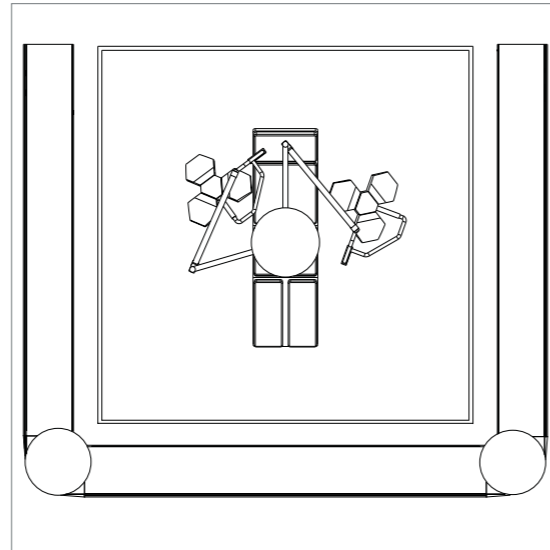
Outer and inner faces equipped with power sockets and medical gas outlets, and outer and inner rails.



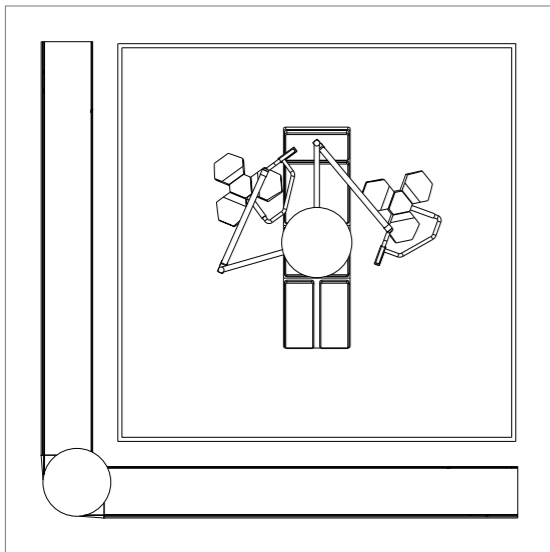
□ Configuration



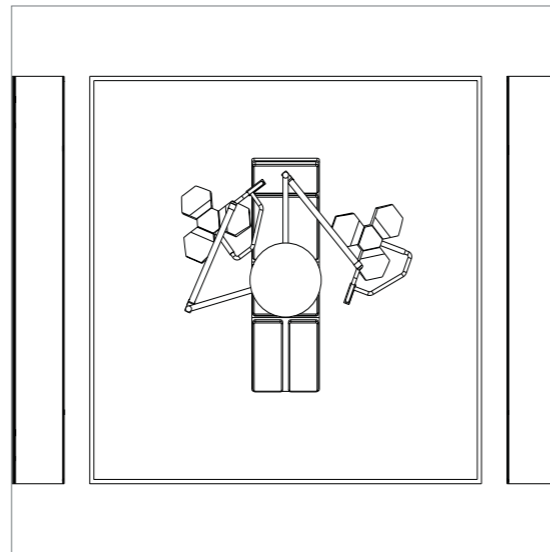
U Configuration



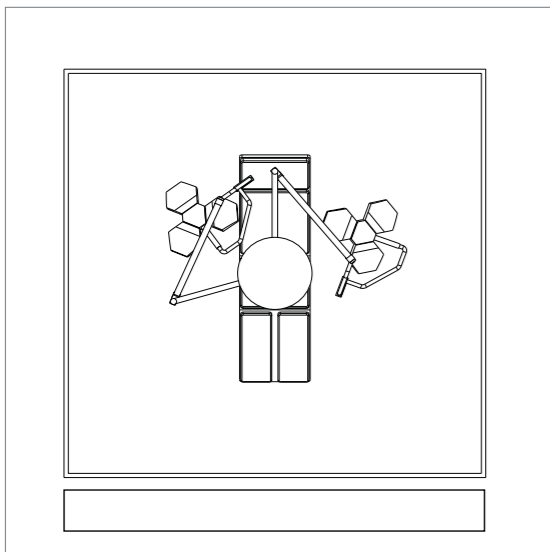
L Configuration



Parallel configuration



Beam configuration



Shuttles are equipped with a sliding trolley mounted on ball bearings.

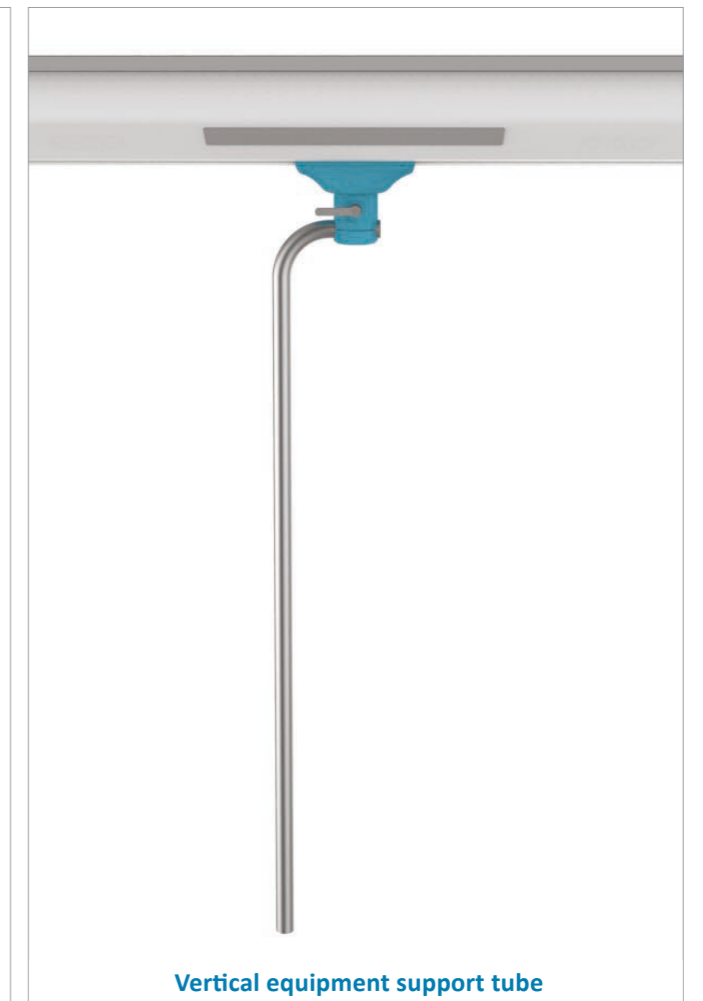
With the indexed rotation angles, the position of therapeutic equipment and accessories can be adjusted between procedures, quickly and along the whole periphery of the beam. This provides an optimized work area for anesthesiologists, surgeons, and their teams.

The shuttle translation and rotation locking system, using a joystick, makes it easy and safe to handle the trolleys and the biomedical equipment.

Easy positioning of shuttles



Shuttles are equipped with \varnothing 38 mm stainless steel tubes. They come in a choice of 800 mm or 1500 mm in height, and their payload is 150 kg.



Vertical equipment support tube

To optimize the work area, this can be equipped with a distribution box mounted on a trolley or arm, according to your requirements.

Its sliding trolley mounted on ball bearings is equipped with a cable and hose control system allowing sliding of 1200 mm and electropneumatic braking of the translation movement.

Technical characteristics of boxes

The distribution box of HI-CARE suspended beam is available with or without offset arm.



Distribution box without offset arm



Distribution box with offset arm

Offset arm characteristics

- 400 mm extension
- Rotation with indexable stop every 25°
- Electropneumatic rotation braking system

Vertical

- Aluminum profile
- Equipped with three accessory mounting rails, 25 x 10 mm (two on the front panel and one on the back)
- Adjustable friction braking of rotation
- Optional LED position lighting located at the bottom
- Loading capacity : 150 kg without offset arm and 120 kg with offset arm
- Three heights for vertical box : 600 mm, 1200 mm or 1500 mm

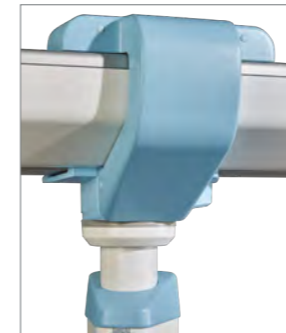


Horizontal

- RAL 9016 with lacquered steel body
- Equipped with two vertical Ø 38 mm accessory support tubes 800 or 1500 mm long
- Adjustable friction braking of rotation
- Optional : bottom accessory mounting rail
- Loading capacity : 150 kg
- Dimension of the box (L x W x D) : 760 x 324 x 267 mm



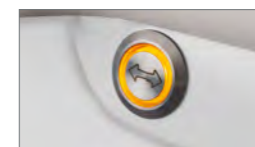
Translation system



The distribution box is fed by the suspended beam.

Braking control

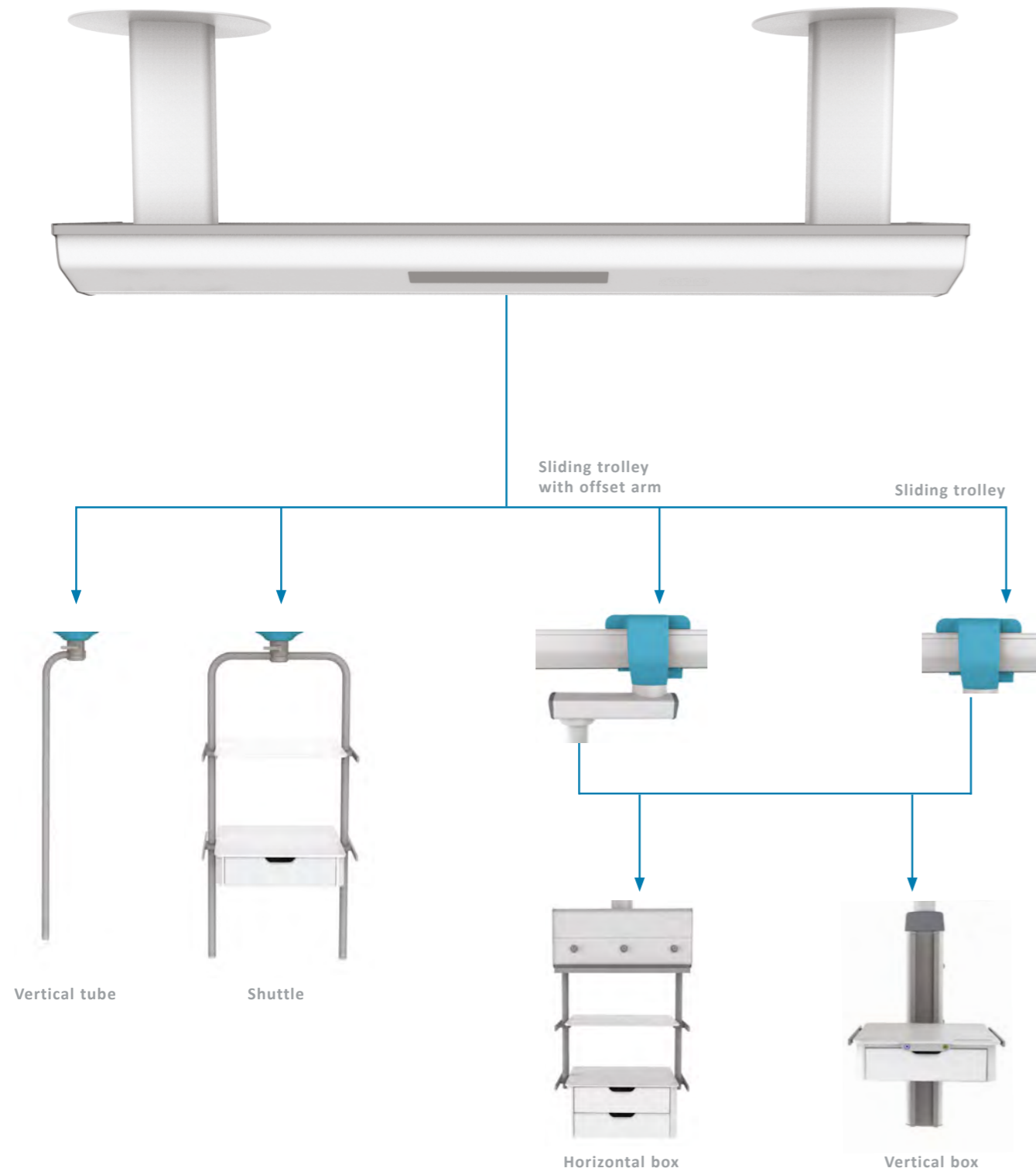
Located on the shelf, controls with illuminated button allow easy and ergonomic use of the arm rotation and translation system. They are engraved to allow intuitive operation of the box.



Extra tube system to hold accessories page 283

This device clamps onto the vertical service head (1200 and 1500 mm) and makes it possible to hang main biomedical accessories.





HI-CARE suspended beam configuration with vertical box with and without offset arm



HI-CARE suspended beam configuration with horizontal and vertical box



HI-CARE suspended beam configuration with shuttle and vertical equipment support tube

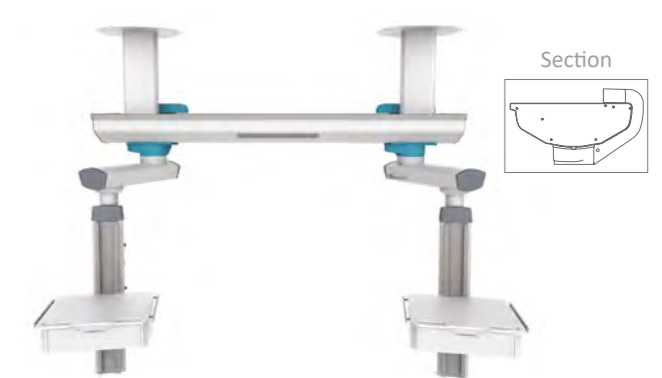


HI-CARE □ configuration with shuttles and vertical equipment support tube

HI-CARE suspended beam configuration with vertical box with offset arm and horizontal box



HI-CARE suspended beam configuration with vertical box with offset arm



HI-CARE suspended beam configuration with horizontal box and shuttle



LIGHTING

The HI-CARE offers the following types of lighting:

- 100% LED general lighting
- Indirect with RGB LED modules
- Night light, located at the top

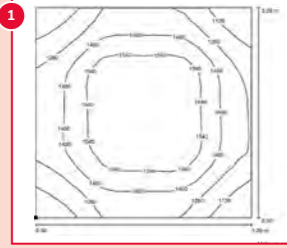


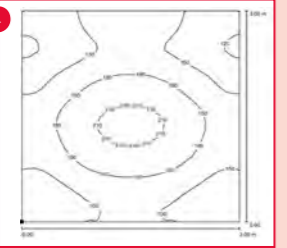
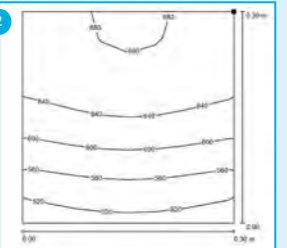
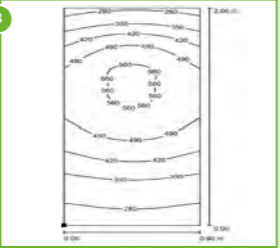
Direct Lighting

Lighting power

Lighting	Power	Types of sources	Color temperature	Luminous Flux ⁽¹⁾	Consumption	System Efficiency	Driver(s)
General lighting	68 W (2 x 4 Ft)	LED	3000 K 4000 K	10 325 lm	769,5 W	148,6 lm/W	Fixed / DALI
Reading lighting	9,8 W (2 Ft)	LED	3000 K 4000 K	1756 lm	11,8 W	149,2 lm/W	Fixed / DALI
Night light	3,1 W	LED	-	292 lm	3,3 W	89,8 lm/W	Fixed

Lighting study

Operating room configuration (□)	General lighting	
	2 x 4 Ft module	
		<ul style="list-style-type: none"> • Luminous flux maintenance factor : L80B10 to 60 000 hours • MacAdam Ellipse: 3 SDCM • LED sources photobiological risk : GP1 <p>⁽¹⁾ All the luminous flux indicated in the brochure are based on the flux of the LED modules also known as system flux.</p> <p>Luminaire output flux = (Module flux) x (optical efficiency), the optical efficiency of the luminaire is indicated in the Eulumdat file (LDT line 23) available for download on our website or on request.</p>
Consumption	77,6 W	
Average lighting	1394 lx	

Intensive care room configuration	General lighting	Reading lighting	Caring lighting
	Module 2 x 4 ft	2 ft module	General and reading lighting combined
			
Consumption	77,6 W	11,8 W	89,4 W
Average lighting	163 lx	617 lx	426 lx

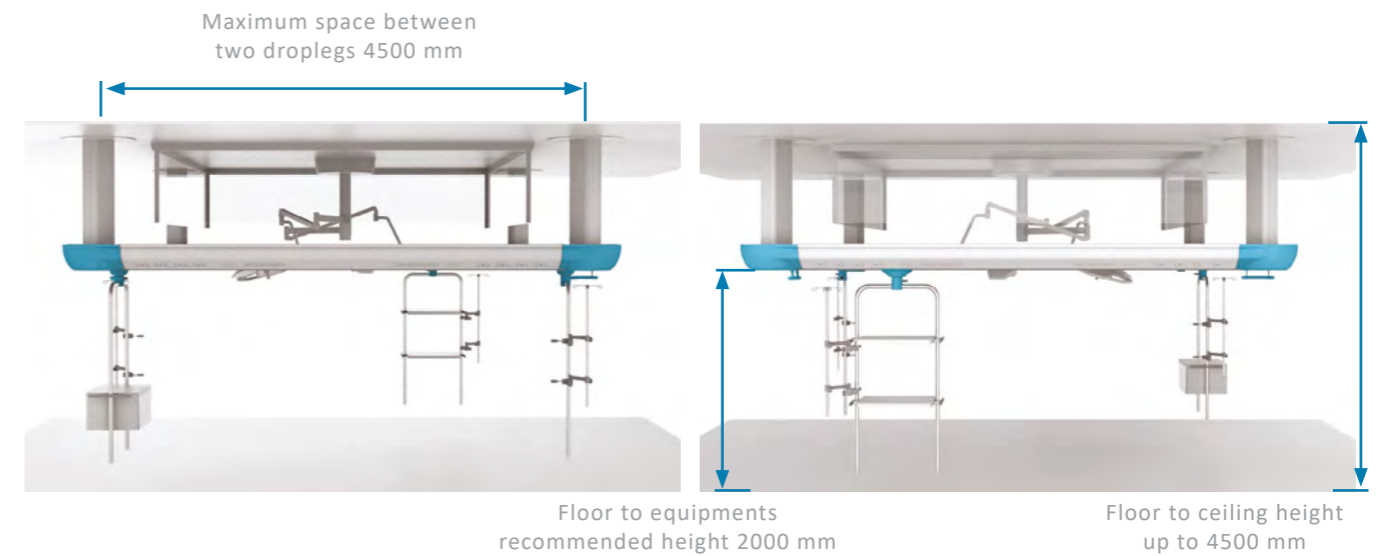
Lighting to suit every context

□ configurations examples



Equipped with LED RGB lighting, dimmable, HI-CARE makes possible to change or configure your working environment. I.E, green color is recommended for endoscopy, red color can be used for cardiac surgery and blue color can be helpful for concentrating.

TECHNICAL CHARACTERISTICS



Ceiling mounting	Special design for each building Suspension up to 1500 mm plenum height Beam length up to 4500 mm without additional suspension
Suspended beam	Custom length (up to 5000 mm in single profile) Loading capacity 450 kg per segment Recommended height for accessories 2000 mm
Equipment & accessory mounting	Outer and inner rail(s), 25 x 10 mm Loading capacity on rail 20 kg/linear meter
Equipment & accessory holder shuttle	Translation and positioning all along the length of the beam Mounted on silent ball bearings, mechanical lock for stability Dimensions: width 450 mm or 650 mm, height 800 or 1500 mm Loading capacity: 150 kg
Vertical distribution box	Translation and positioning over 1200 mm Loading capacity without offset arm : 150 kg Loading capacity with offset arm : 120 kg
Horizontal distribution box	Loading capacity : 150 kg
Colors	White RAL 9016

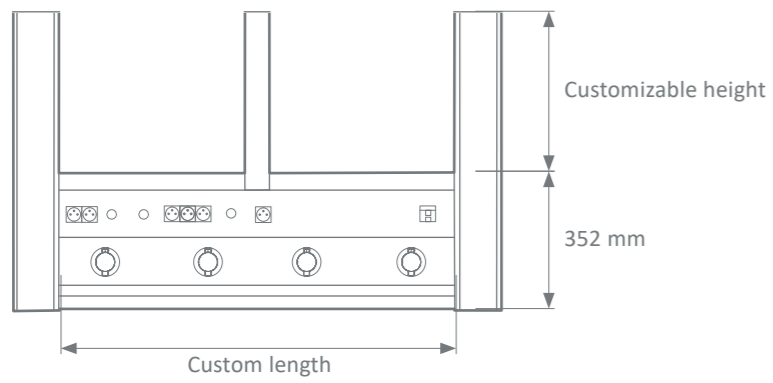
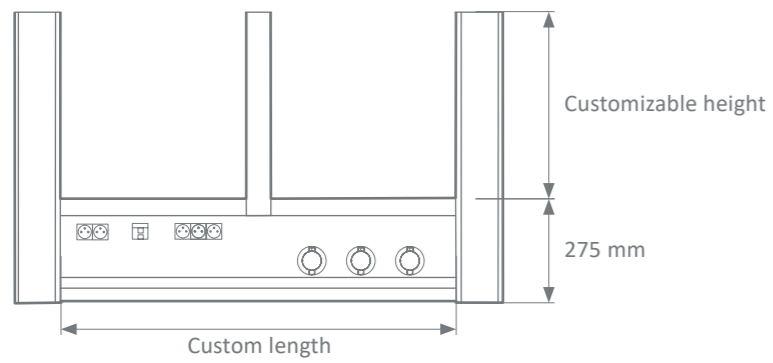




The FLUIDYS suspended distribution beam is a compact medical device providing all the essential functionalities for your emergency room, intensive care, and resuscitation teams.

FLUIDYS SUSPENDED

Front view

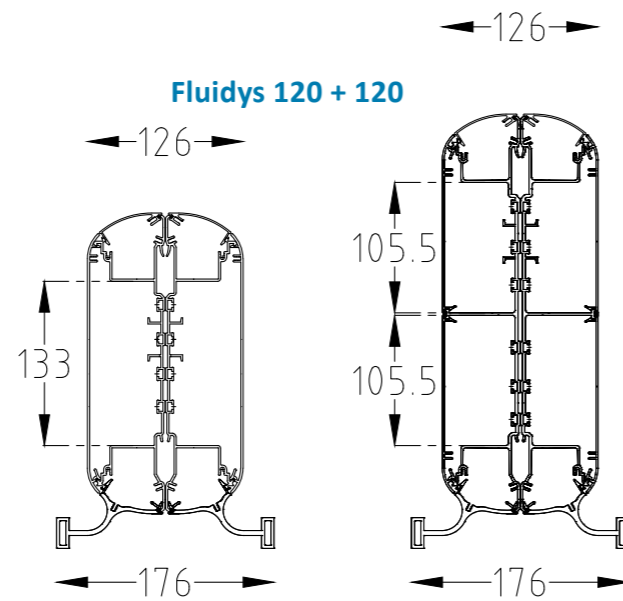


Side view



Cross-section

Fluidys 160



Assembling of two FLUIDYS, back to back

Colors

	White RAL 9016	Grey RAL 7040	Anodized
Aluminum profile	●		
Gas casing	●	●	
Rail(s)			●

Shuttles

Shuttles are equipped with \varnothing 38 mm stainless steel tubes. They come in a choice of 800 mm or 1500 mm in height, and their payload is 70 kg.



Rails

The beam will be equipped with a 25x10 mm lower accessory mounting rail along its entire length, at the front and back. This is used to install biomedical accessories and shuttles.

Lighting

FLUIDYS has high-performance, comfortable, controlled lighting. It provides efficient general, reading, and caring lighting. The optics allow optimum control of the lighting, favouring the well-being of care teams and patients.

TECHNICAL SPECIFICATIONS

Material	160 mm aluminum profile or 2 x 120 mm
Ceiling mounting	Special design for each building Additional drop leg: every 2500 mm
Suspended beam	Custom length (up to 5000 mm in single profile) Recommended clearance under beam: 1700 mm
Equipment mount	One 25 x 10 horizontal rail or two rails (on either side)
Indirect lighting	LED : 7093 lumens (5ft)
Direct lighting	LED : 2581 lumens (2ft)
Night light	LED : 350 lumens





CEILING PENDANTS

TECH-CARE ERGOFIX
TECH-CARE EASYLIFT

p.224
p.236

The ceiling-mounted pendant from the TECH-CARE Ergofix range satisfy most requirements of healthcare professionals.

It provide convenience and safety when transporting biomedical devices and accessories. Its custom technical and ergonomic configuration provides modularity and a radius of movement from 45° to 315°. The flexibility of the arms optimizes patient access, working conditions, and cleaning of treatment areas.

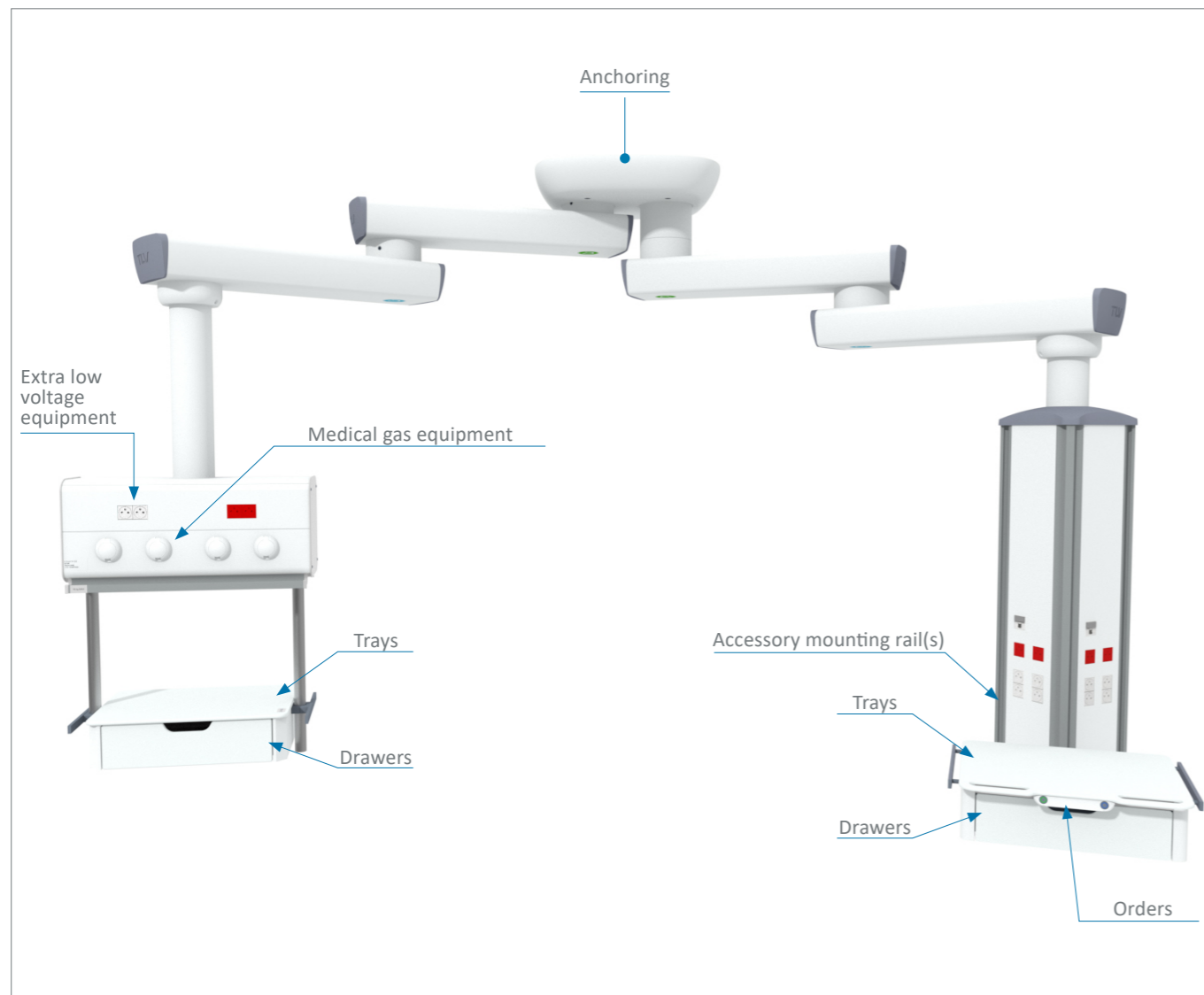


TECH-CARE

ERGOFIX

The ceiling-mounted pendant from the TECH-CARE Ergofix range satisfy most requirements of healthcare professionals. It provide convenience and safety when transporting biomedical devices and accessories.

Its custom technical and ergonomic configuration provides modularity and a radius of movement from 45° to 315°. The flexibility of the arms optimizes patient access, working conditions, and cleaning of treatment areas.



New : The TECH-CARE pendant is available with electromagnetic braking system

The TECH-CARE pendant allows horizontal travel of 500 to 2000 mm according to configuration. Its standard version is equipped with a mechanical friction rotation braking system, and an optional electromagnetic braking system is available.

The new boxes are designed to be ergonomic and user-friendly for all care teams. They distribute extra-low/low voltage and medical gases.

Technical characteristics of boxes

Vertical 2 sides

- Aluminum profile
- High loading capacity : 150 kg
- Three heights for vertical box: 600, 1200 or 1500 mm
- Equipped with three accessory mounting rails 25 x 10 mm (two on the front panel and one on the back)
- Can be equipped with optional LED lighting located in the lower section



Vertical 4 sides

- Aluminum profile
- High loading capacity : 150 kg
- Two heights for vertical box : 1000 or 1200 mm
- Equipped with four accessory mounting rails 25 x 10 mm
- Can be equipped with optional LED lighting located in the lower section



Horizontal

- RAL 9016 white lacquered steel body
- Loading capacity : 150 kg
- L x H x P (without rail) : 760 mm x 324 mm x 267 mm
- Equipped with two vertical Ø 38 mm accessory support tubes, 800 or 1500 mm long



Controls with illuminated button

They are located on the front panel of the tray, allowing easy and ergonomic use of the motorized arm braking.

With their color coding, they allow intuitive operation of the arm.



Controls and handles

Control with tray



Offset handle for light loads



Heavy duty handle

Trays & Drawers

The trays are designed to comply with the strictest standards concerning hygiene and durability. Their surface is compact with white core (HPL), and they have lateral accessory mounting rails 25 x 10 mm.

The tray units can accommodate one or two drawers. The ergonomic handles built into the trays make it easy to handle the arm. The drawers are removable for easy cleaning.

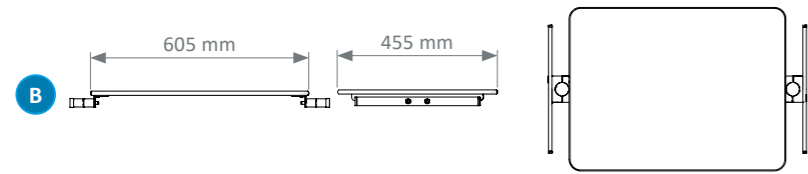
Accessory support bracket for double-sided enclosure

This device clamps onto the vertical service head and makes it possible to hang main biomedical accessories.



● Trays and drawers for horizontal box

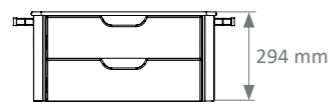
Trays



One drawer

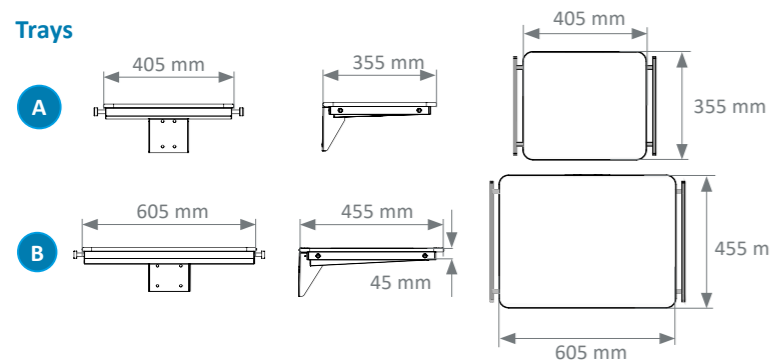


Two drawers

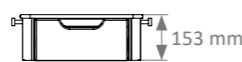


● Trays and drawers for double-sided vertical cabinet

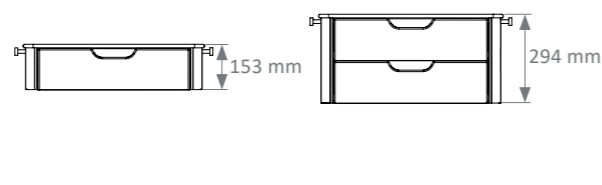
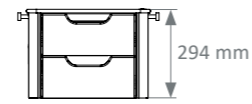
Trays



One drawer



Two drawers



Load table

	TRAY DIMENSION	LOAD MAX
A	405 x 355 mm	40 kg
B	605 x 455 mm	50 kg

Optional features

High flow DALI circulation light



Mono configuration : single arm



Mono configuration : double arms



Vertical column configuration



Duo configuration : single arms



Duo configuration : double arms and single arms



Duo configuration : double arms



Duo configuration : double arms and vertical column



TECHNICAL CHARACTERISTICS

Ceiling mounted	Anchoring under plenum measuring up to 1500 mm		
Configuration	Mono ou duo		
Arm lengths	500 mm, 750 mm et 1000 mm		
Loading capacity	Single arm	Column	Distribution box*
	500 mm	300 kg	150 kg
	750 mm	300 kg	150 kg
	1000 mm	300 kg	150 kg
	Double arm	Column	Distribution box*
	500 + 500 mm	300 kg	150 kg
	750 + 500 mm	300 kg	150 kg
	1000 + 500 mm	280 kg	150 kg
	750 + 750 mm	280 kg	150 kg
	1000 + 750 mm	250 kg	150 kg
1000 + 1000 mm	250 kg	150 kg	
Rotations	Arm : 45 to 315°, stop indexing every 25,5° Box : 30 to 330°		
Rotation braking	Arm : adjustable mechanical (standard) or electromagnetic (optional) Box : adjustable mechanical		
Colors	White RAL 9016		



* The carrying capacity is the maximum acceptable load on the distribution box. This value should be reduced by the weight of the trays and accessories supported by the box. Therefore TLV mentions the acceptable weight by visible label on each box, rail and tray, avoiding the risk of overload.



The TECH-CARE Easylift ceiling-mounted pendant is designed to be ergonomic and user-friendly for care teams. Because it is compact, it easily adapts to any architectural configuration. It supplies low/extra-low voltage and medical gases.

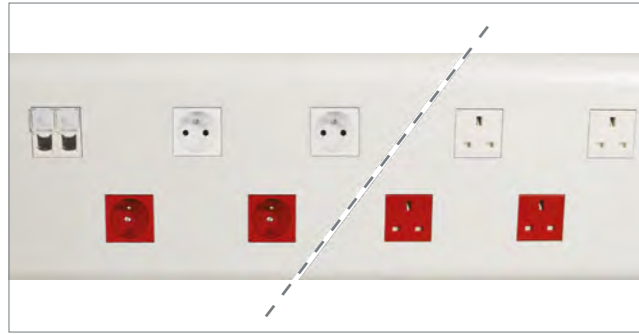


TECH-CARE

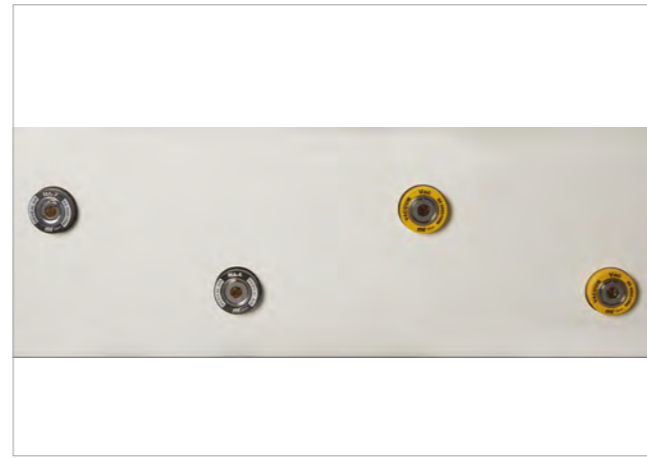
EASYLIFT

Integration of electrical equipment

The TECH-CARE cover is cut by water jet, providing a precise, tailor-made finish so that sockets of any shape can be built into it. Electrical devices are flush-mounted, for easy cleaning and disinfection of the product.

**Integration of gases**

The distribution boxes incorporate all the standard gas outlets (DIN, BS, AFNOR).

**Technical characteristics of boxes**

- Aluminum profile
- Length: 750 mm
- Equipped with a handle so that care teams can operate it quickly and easily
- Mechanical friction braking of rotation
- Vertical travel of 580 mm
- As option : mounting on an offset arm allowing 500 mm, 750 mm or 1000 mm extension, according to configuration

Lock button

Located close to the handle, the illuminated control button of the electromagnetic system enables to hold the arm in the bottom or top position.



Easylift mono configuration, simple arm



Mono configuration, double arm



Duo configuration, single arm : Easylift and horizontal box



Duo configuration, double arm : Easylift and horizontal box



Duo configuration, single arm : vertical box and Easylift



Duo configuration, double arm : vertical box and Easylift



TECHNICAL CHARACTERISTICS

Ceiling mounted	Anchoring : plenum up to 1500 mm
Arm length (overall)	1300 mm
	500 mm + Easylift
Configurations	750 mm + Easylift
	1000 mm + Easylift
Box length	750 mm
Rotations	Arm : 30 to 330°, stop indexing every 15°
Rotation braking	Box : adjustable mechanical (standard)
Vertical travel of tilting arm	580 mm
Colors	White RAL 9016



TRAYS AND DRAWERS EQUIPMENTS

The trays are designed to comply with the strictest standards concerning hygiene and durability. Their surface is made of white core compact material (HPL).

The tray units can accommodate one or two drawers made of antibacterial Kydex. The drawers are removable for easy cleaning.

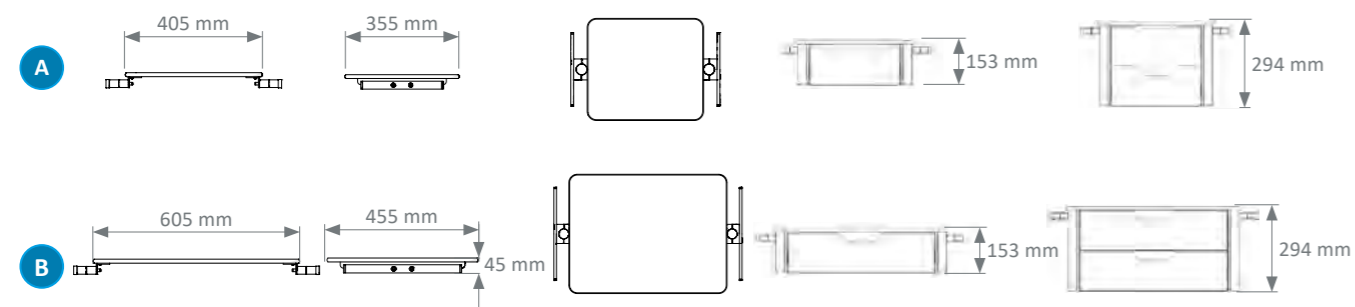
CONFIGURATIONS

Load table

	TRAY DIMENSION	MAX PAYLOAD
A	405 x 355 mm	40 kg
B	605 x 455 mm	60 kg

Shuttles

Trays



For HI-CARE, FLUIDYS (suspended)

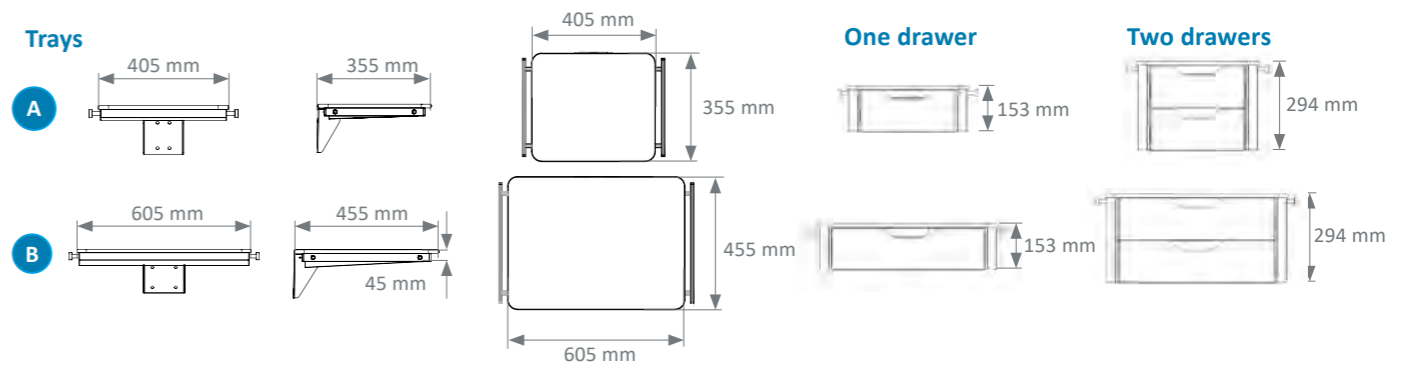


HI-CARE Shuttle

TRAYS AND DRAWERS EQUIPMENTS

Box / columns / vertical bed head unit / mono-tube trolley \varnothing 38

Trays

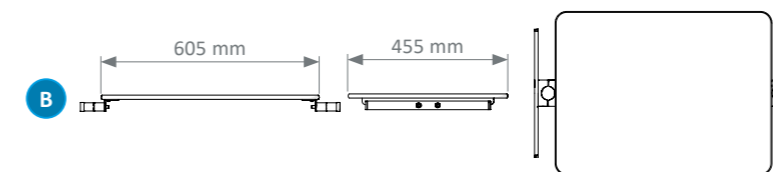


For MULTICARE EVOLUTION, FLUIDYS, TECH-CARE



Horizontal box

Trays



One drawer



Two drawers



For TECH-CARE, HI-CARE



* See the trays and drawers references in our accessories range p 296.



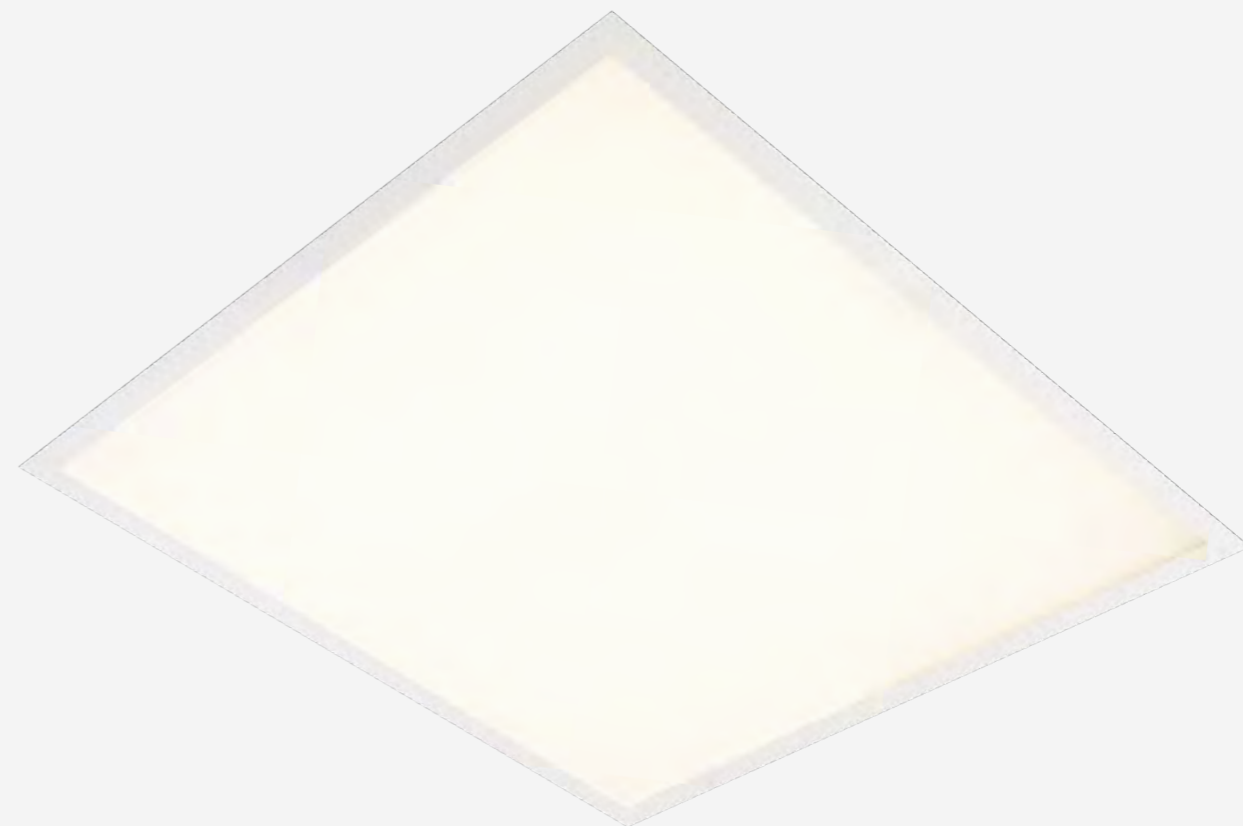
SEALED LIGHTINGS

ILUS
SKYDECO
STAGNO
LE 5080

p.246
p.254
p.262
p.268



The ILUS range is perfect for operating rooms, circulations, clean rooms, changing rooms and any other area in hospitals.



ILUS

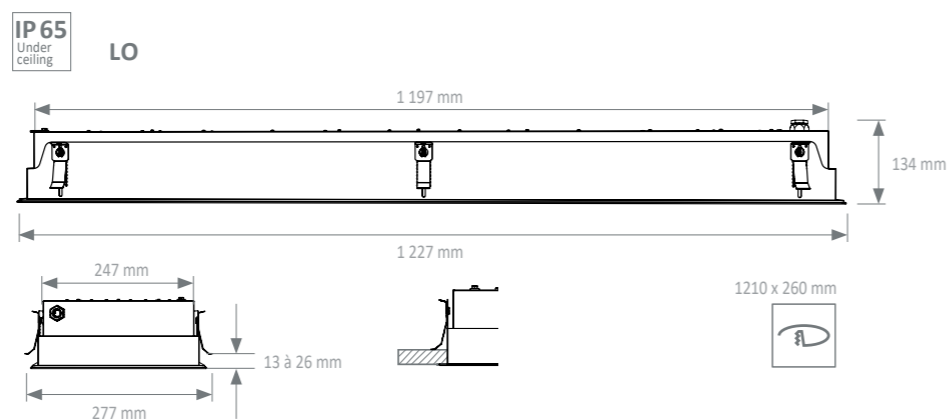
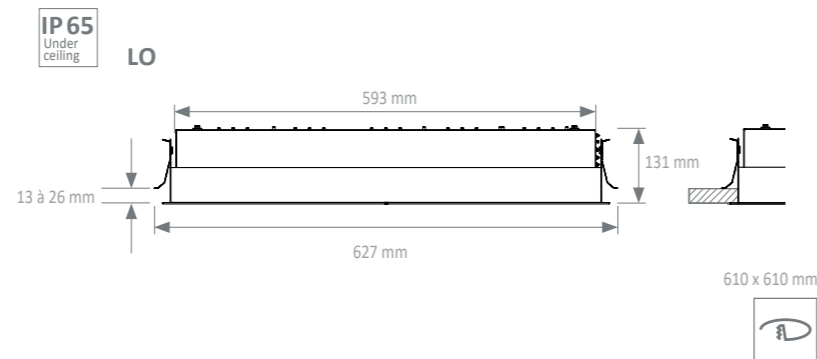
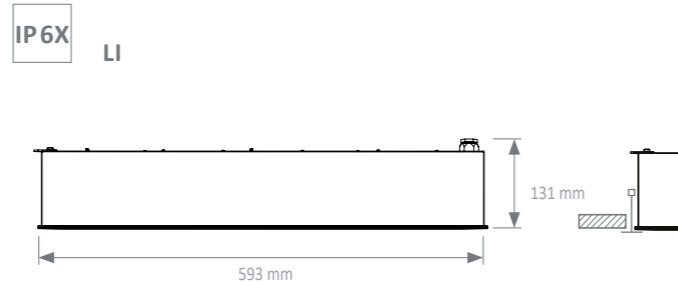
TECHNICAL CHARACTERISTICS

- Recessed luminaire with LED modules, maximum 7800 lumens
- Working life 50 000 hours
- Opal diffuser made of Polymethyl methacrylate (PMMA)
- Lay-in (LI)
- Lay-out (LO) version offered with visible frame
- Lacquer coated white steel body
- Static cooling system
- Built-in quick connectors (GST)
- Color(s): White RAL 9016 satin finish
- Warranty: 5 years*
- CRI: 90

Driver(s)



Classifications



* See Terms and Conditions

TECHNICAL FEATURES

Lighting power

Item	Luminous flux ⁽¹⁾	Color temperature	CRI	Consumption	System Efficiency	Drivers	Efficiency energy class	Mounting	Reference
	5000 lumens	4000 K	90	32,9 W	154,6 lm/W	DALI Fixed	A↑G C	LI	207424 207426
	5000 lumens	4000 K	90	32,9 W	154,6 lm/W	Fixed DALI	A↑G C	LO	207576 207771
	6500 lumens	4000 K	90	44 W	149,9 lm/W	DALI Fixed	A↑G C	LI	207428 207429
	6500 lumens	4000 K	90	44 W	149,9 lm/W	Fixed DALI	A↑G C	LO	207430 207726
	7700 lumens	4000 K	90	51,9 W	148,6 lm/W	Fixed DALI	A↑G C	LI	207431 207432
	7700 lumens	4000 K	90	51,9 W	148,6 lm/W	Fixed DALI	A↑G C	LO	207433 207621
	7600 lumens	4000 K	90	49,7 W	153,4 lm/W	Fixed DALI	A↑G D	LO	207600 207622
	5000 lumens max	2700 K - 6500 K	83	35,1 W max	142,5 lm/W max	DALI	A↑G D		208451

UGR <19 specific configurations (in 4H 8H 7 5 2) microprismatic diffuser

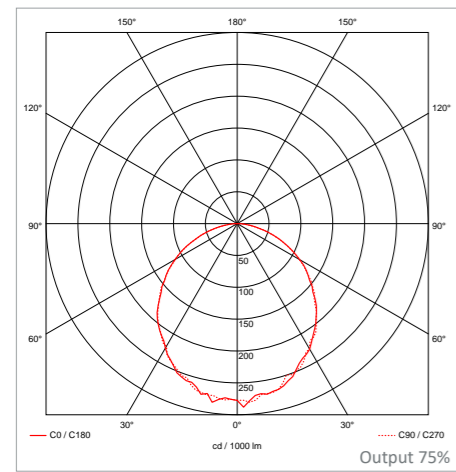
Item	Luminous flux ⁽¹⁾	Color temperature	CRI	Consumption	System Efficiency	Drivers	Efficiency energy class	Mounting	Reference
	5000 lumens	4000 K	90	32,9 W	154,6 lm/W	DALI Fixed	A↑G C	LI	800424 800426
	5000 lumens	4000 K	90	32,9 W	154,6 lm/W	Fixed DALI	A↑G C	LO	800576 800771
	6500 lumens	4000 K	90	44 W	149,9 lm/W	DALI Fixed	A↑G C	LI	800428 800429
	6500 lumens	4000 K	90	44 W	148,6 lm/W	Fixed DALI	A↑G C	LO	800430 800726
	7700 lumens	4000 K	90	51,9 W	148,6 lm/W	Fixed DALI	A↑G C	LI	800431 800432
	7700 lumens	4000 K	90	51,9 W	148,6 lm/W	Fixed DALI	A↑G C	LO	800433 800621
	7600 lumens	4000 K	90	49,7 W	153,4 lm/W	Fixed DALI	A↑G D	LO	800600 800622

- Luminous flux maintenance factor : L80B10 to 60 000 hours
- MacAdam Ellipse: 3 SDCM
- LED sources photobiological risk : GP1

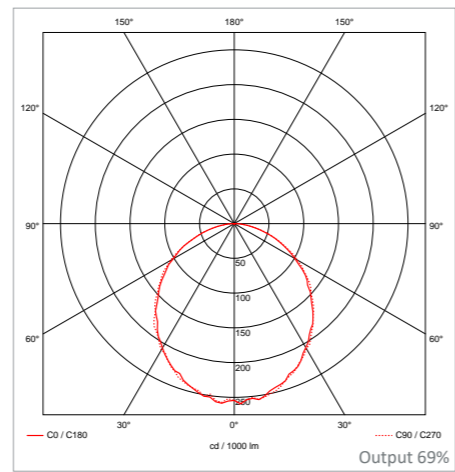
⁽¹⁾ All the luminous flux indicated in the brochure are based on the flux of the LED modules also known as system flux.

Luminaire output flux = (Module flux) x (optical efficiency), the optical efficiency of the luminaire is indicated in the Eulumdat file (LDT line 23) available for download on our website or on request.

ILUS 600x600 mm

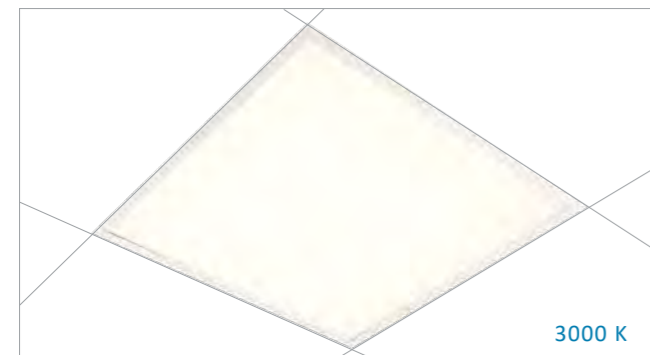


ILUS 1200x250 mm

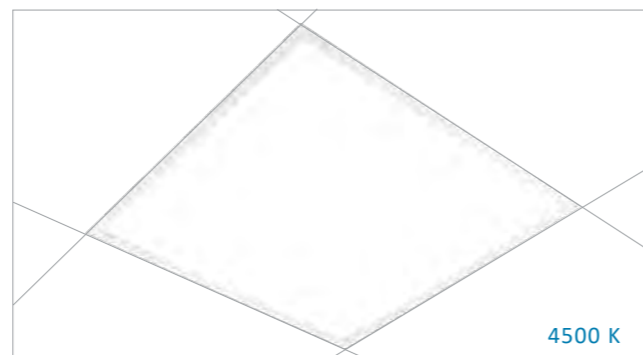


Optional lighting

Dynamic lighting*



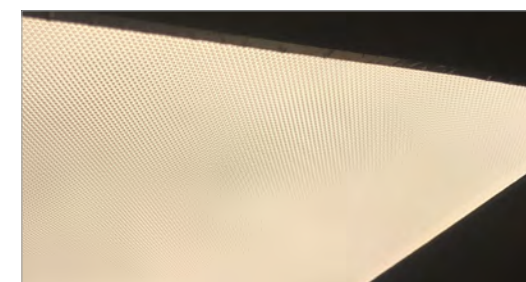
3000 K



4500 K



6000 K

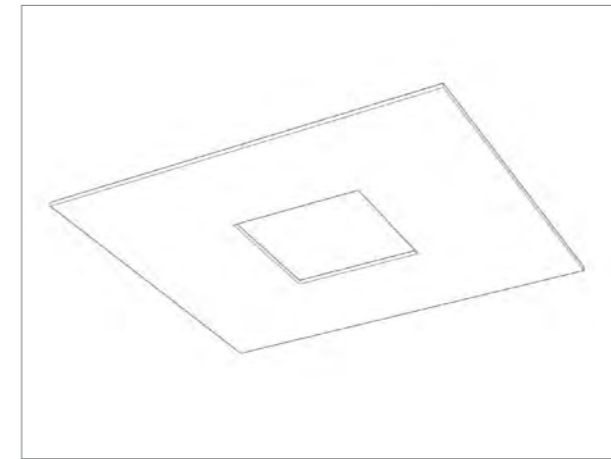


ILUS with microprismatic diffuser UGR <19

* For more information about dynamic lighting, see page 304

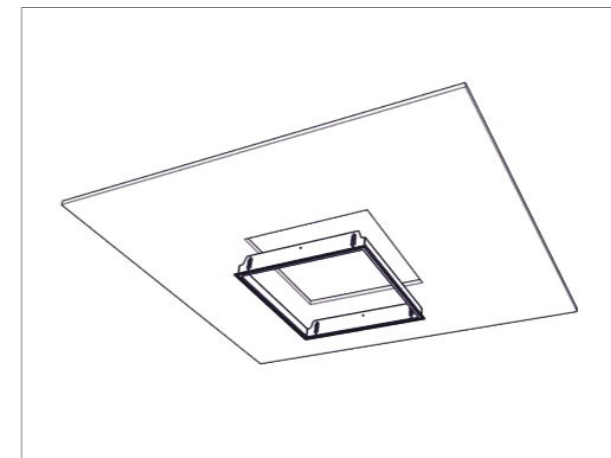
Quick installation in 3 steps

1



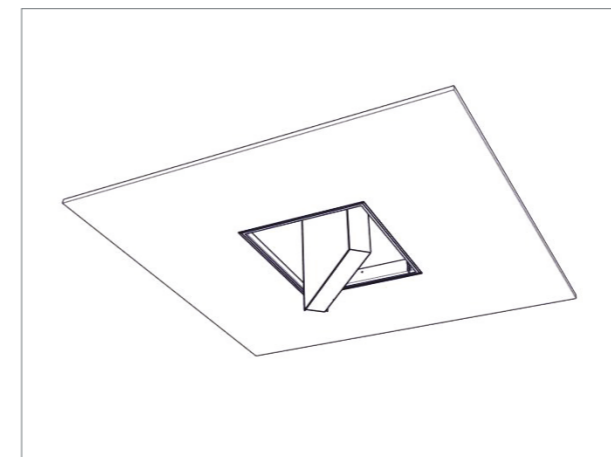
600 x 600 mm luminaire recessed cut out in the ceiling.

2



Installation of the luminaire support frame with springs and peripheral sealing gaskets.

3



Place the luminaire in its frame.

Blocs
01 à 12
→

Salon
de sortie

Salon 1

Salon 2

BLOCS 13 à 21
BOX



Applied to the ILUS 600 x 600 mm range, the process consists in printing images on the luminaire diffuser thus reproducing a realistic vision of the sky. The luminaire also fits perfectly with standard size false ceilings. Patients and caring personnel enjoy a luminous and decorative add-on favouring well-being in the working spaces where there is no daylight.



SKYDECO

TECHNICAL CHARACTERISTICS

- Recessed luminaire with LED modules
- Working life 60 000 hours
- Opal diffuser made of Polymethyl methacrylate (PMMA)
- Lacquer coated white steel body

- Static cooling system
- Built-in quick connectors (GST)
- Color(s): White RAL 9016 satin finish
- Warranty: 5 years*

Driver(s)

Dali

Classifications

Class I 650°

Luminous flux	Sources	Color temperature	Drivers
600x600 mm	5000 lm	6500 K	DALI
1200x600 mm	10000 lm	6500 K	DALI

Dimensions	Luminous flux ⁽¹⁾	Color temperature	Drivers	Efficiency energy class
600x600 mm	5000 lm	6500 K	DALI	A ↑ G C
1200x600 mm	10000 lm	6500 K	DALI	A ↑ G C

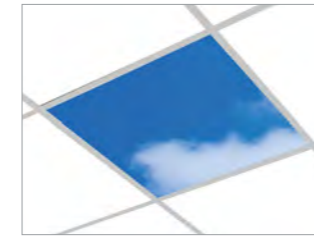
- Luminous flux maintenance factor : L80B10 to 60 000 hours
- MacAdam Ellipse: 3 SDCM
- LED sources photobiological risk : GP1

⁽¹⁾ All the luminous flux indicated in the brochure are based on the flux of the LED modules also known as system flux.

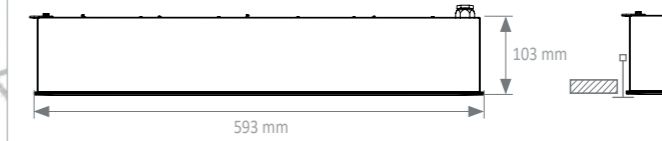
Luminaire output flux = (Module flux) x (optical efficiency), the optical efficiency of the luminaire is indicated in the Eulumdat file (LDT line 23) available for download on our website or on request.

IP6X

LI

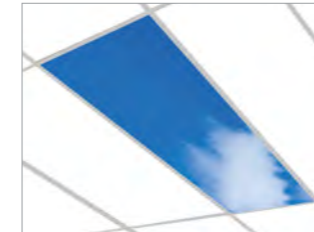


600 x 600 mm

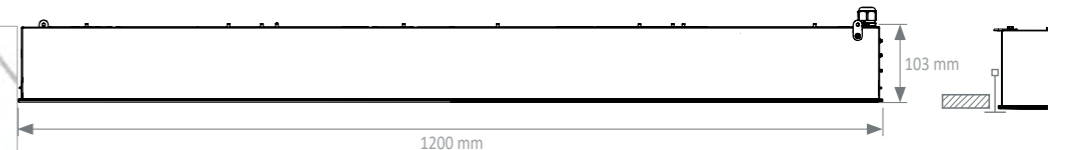


New

LI

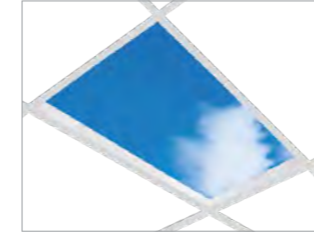


600 x 1200 mm

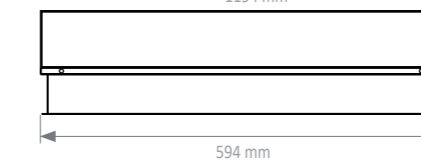
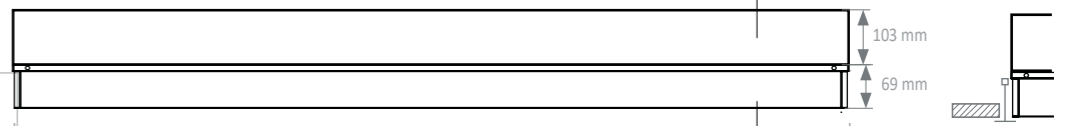


New

LI



600 x 1200 mm

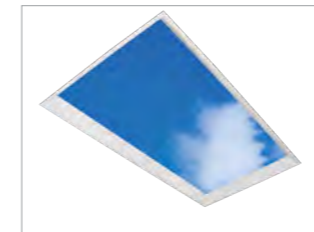


Luminaire

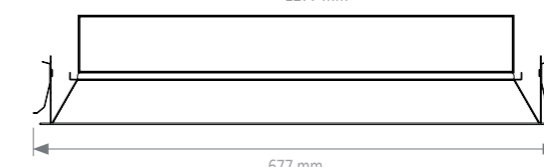
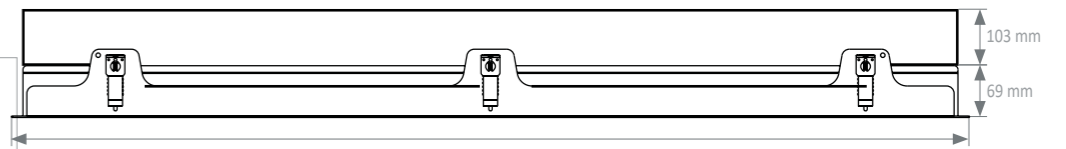
Steel riser frame

New

LO



600 x 1200 mm



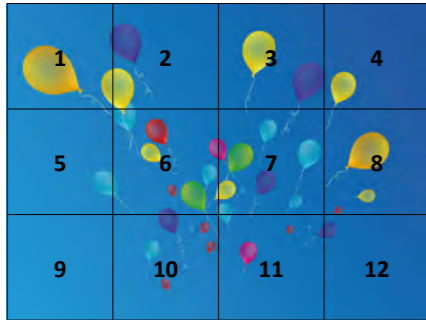
* See Terms and Conditions

Applications

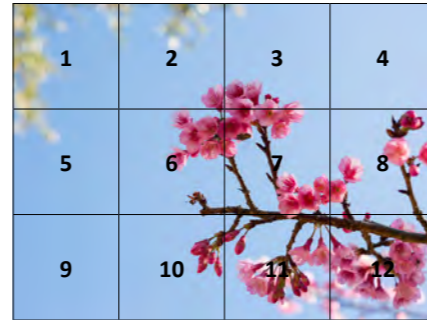
- Scanner
- Recovery room
- Corridors
- Pediatrics
- Dialysis
- Waiting room
- Circulation areas
- Offices

Examples of configurations (600 mm x 600 mm) - 2m40 x 1m80

Design Balloon - B544023



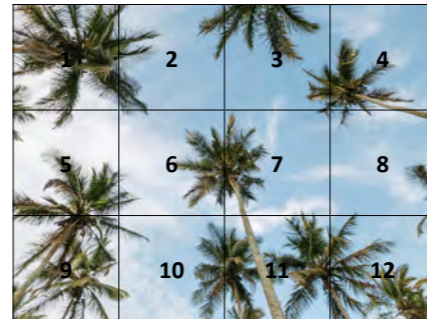
Design Cherry Blossom - B544024



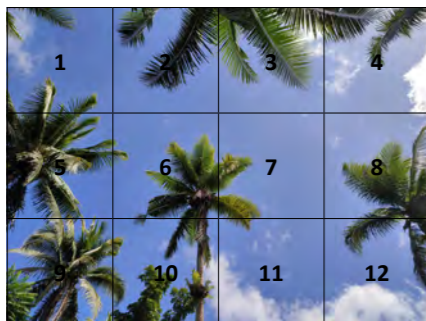
Design Sky - B544025



Design Palm Tree - B544026



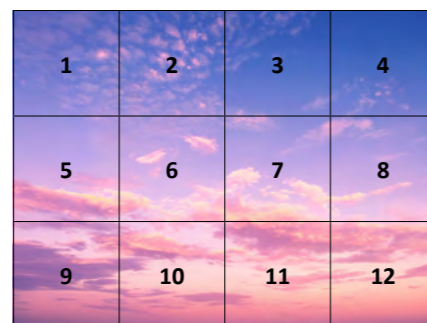
Design Caribbean - B544027



Design Sun - B544028



Design Sunset - B544029



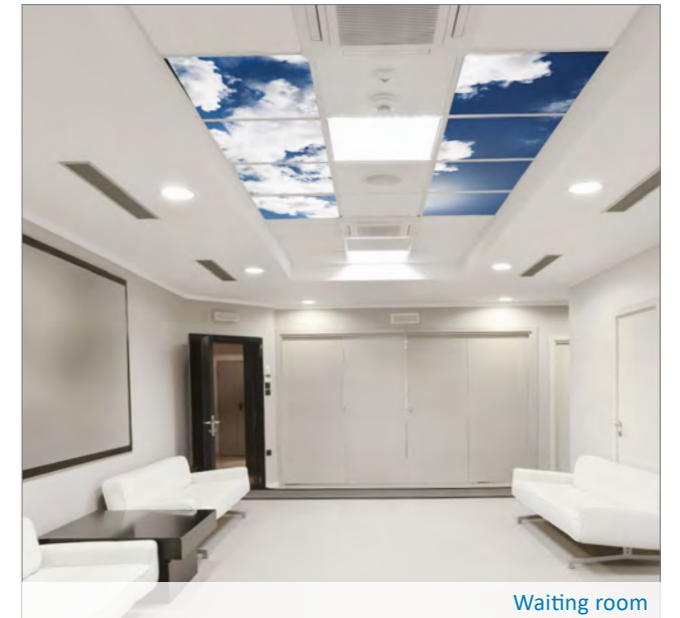
For other configurations, please contact our sales force.

NB : To provide your own image, here are the minimum sizes required to ensure optimal quality :

- 4 SKYDECO : 1 200 x 1 200 mm : 8 000 x 8 000 px - 150 DPI minimum
- 6 SKYDECO : 1 800 x 1 200 mm : 12 000 x 8 000 px - 150 DPI minimum
- 12 SKYDECO : 2 400 x 1 800 mm : 15 000 x 10 000 px - 150 DPI minimum



Delivery room



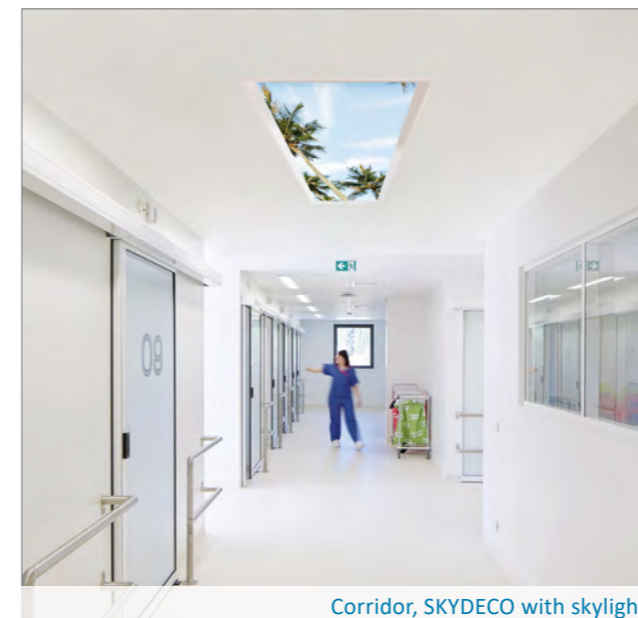
Waiting room



Recovery room



Patients waiting



Corridor, SKYDECO with skylight



Corridor, SKYDECO with skylight





The range STAGNO is suitable for operating rooms or clean rooms.



STAGNO

TECHNICAL FEATURES

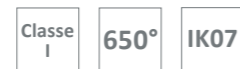
The range STAGNO is suitable for operating rooms or clean rooms.

- Recessed luminaire for LED modules
- Glass underside diffuser with aluminum symmetric reflector for rectangular versions
- Lay-in (LI)
- Lay-Out (LO) version offered with visible frame
- Easy mounting
- Powder painted white RAL 9003 housing
- Standard configuration CRI 90
- UGR < 19 with microprismatic diffuser
- Ellipse MacAdam : 3
- 60 000 hours lamp life (L80B10)

Driver(s)



Classifications



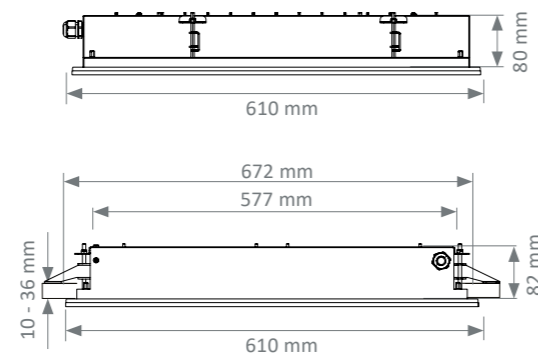
Sealed



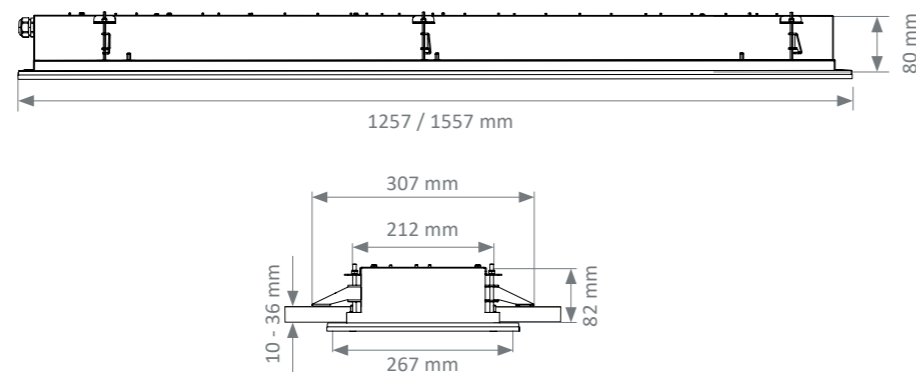
Available in 2 versions



Square frosted glass version



Rectangular depolished version



TECHNICAL FEATURES

UGR <19 specific configurations (in 4H 8H 7 5 2), with an opale and microprismatic diffuser and a clear glass underside

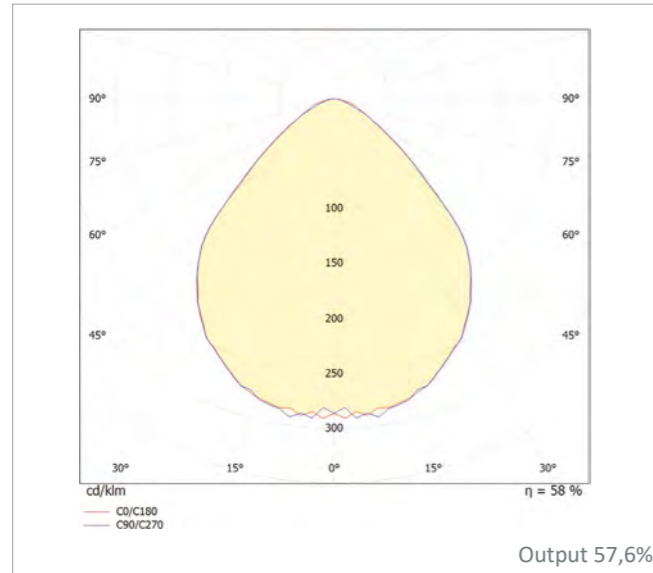
Item	Luminous flux	Color Temperature	CRI	Modules Power	Consumption	System Efficiency	Driver(s)	Efficiency energy class	Mounting	Reference
Square version	5000 lm	4000 K	90	28,3 W	32,9 W	154,7 lm/W	Fixed Dali	A↑G C	LO	802197 802198
Square version	5000 lm	4000 K	90	28,3 W	32,9 W	154,7 lm/W	Fixed Dali	A↑G C	LI	802203 802204
Rectangular version 1200	4400 lm	4000 K	90	24,9 W	29,3 W	149,1 lm/W	Fixed Dali	A↑G D	LO	802205 802206
Rectangular version 1200	8800 lm	4000 K	90	57,11 W	60,4 W	144,4 lm/W	Fixed Dali	A↑G D	LO	802199 802200
Rectangular version 1500	5500 lm	4000 K	90	35 W	41,2 W	136,1 lm/W	Fixed Dali	A↑G D	LO	802207 802208
Rectangular version 1500	11000 lm	4000 K	90	71,39 W	75,1 W	145,2 lm/W	Fixed Dali	A↑G D	LO	802201 802202

- Luminous flux maintenance factor : L80B10 to 60 000 hours
- MacAdam Ellipse: 3 SDCM
- LED sources photobiological risk : GP1

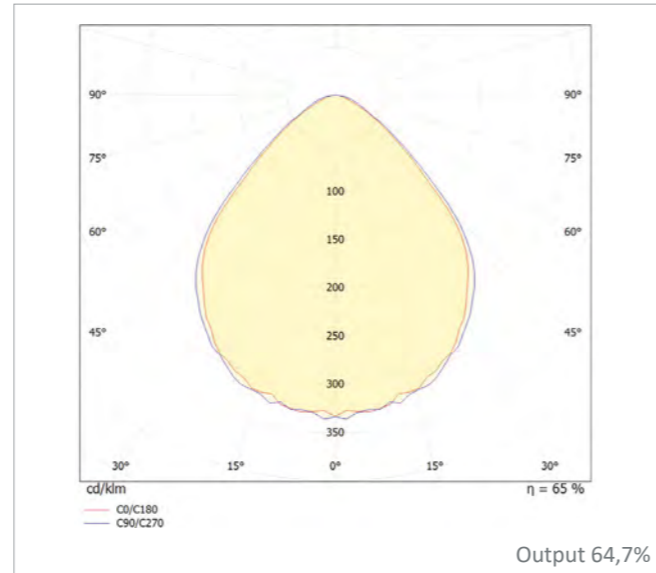
⁽¹⁾ All the luminous flux indicated in the brochure are based on the flux of the LED modules also known as system flux.

Luminaire output flux = (Module flux) x (optical efficiency), the optical efficiency of the luminaire is indicated in the Eulumdat file (LDT line 23) available for download on our website or on request.

STAGNO Square

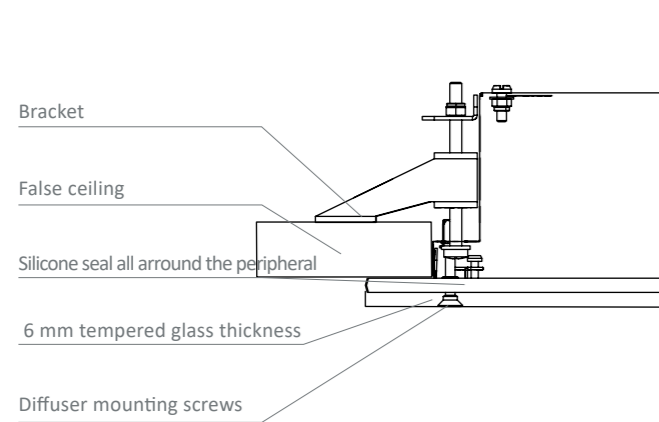


STAGNO Rectangular



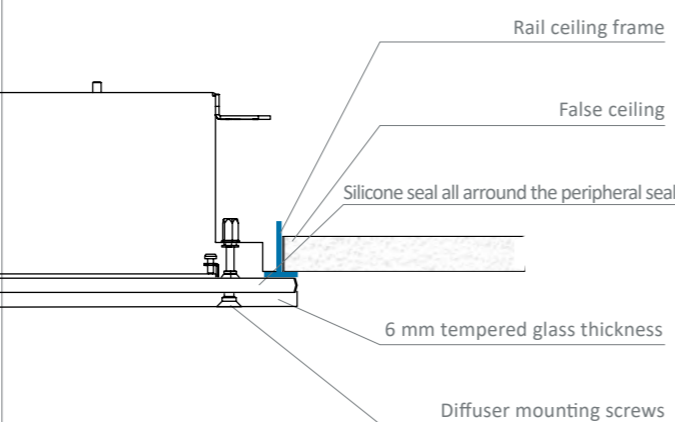
MOUNTING

Lay-Out (LO)



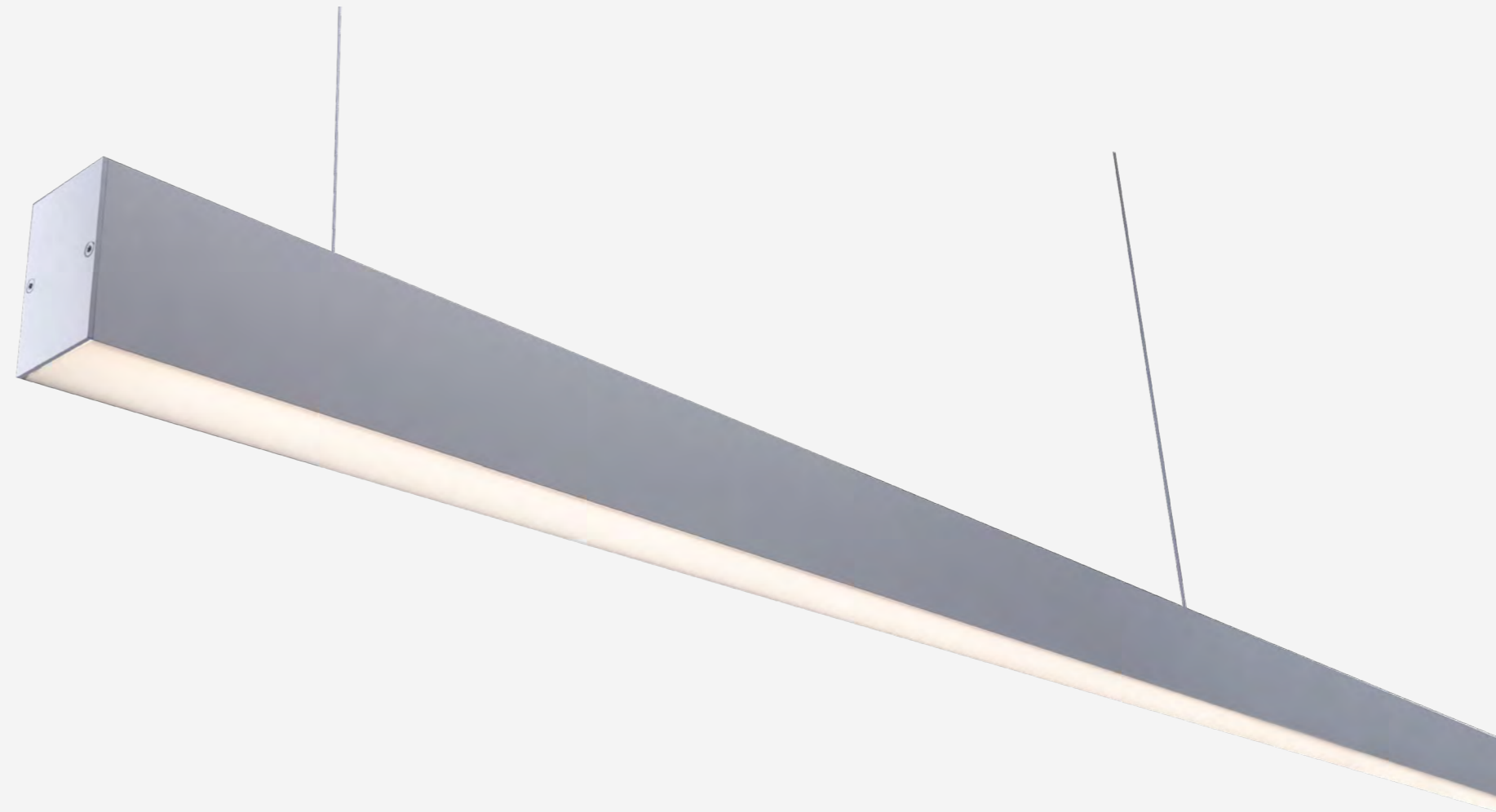
This type of installation requires to follow the recessed cut out dimensions of the luminaire.

Lay-In (LI)



This mounting is made directly on 600 x 600 mm false ceiling.





LE 5080

Lighting system for linear LED module, maximum 13,432 lumens/meter



- Installation: LO or LI recessed
- Independant elements or elements for begining, intermediare or end for continuous lighting up to 40 meters
- CRI of 80
- MacAdam ellipse : 3 SDCM
- Available in 4 000 K (3 000 K contact us)
- 50 000 hours lamp life (L80B20)
- Luminous efficiency of system up to 159,9 lm/W
- Optics available in rolls upt to 50 meters (10, 20, 30, 40 or 50 meters) in predefined length (1 120 mm, 1 680 mm, 2 240 mm and 3 360 mm)
- Opal diffuser made of polycarbonate (DO) or microprism diffuser (MIC)
- Housing made of painted extruded aluminium profil
- Painted steel endcaps
- Static heat sink
- **Weight** : approx. 5 kg / m
- **Number of module(s)** : Depend on the length of the luminaire
- **Driver** : Fixed, Dimmable driver DALI (CDIMMDALI)
- **Option(s)** : Suspended luminaire with indirect lighting, 90° angle, lighting sensor and-or movement detection

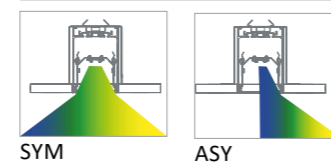
Driver(s)



Standards

Classe I | IP20 | 650°

Beam(s)



Recommended LED configurations for circulation use :

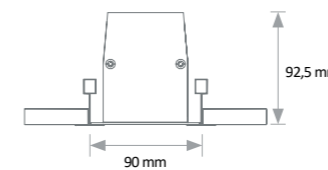
Item	Lenght (mm)	Power	Consumption	Luminous flux	System efficiency	Colour temperature	driver(s)	Efficiency energy class
SE 5080 LED 4400-840	1120	25W	29W	4574 lumens	157,3 lm/W	4000 K	Fixed / DALI	A+G C
SE 5080 LED 6600-840	1680	36,6W	42W	6716 lumens	159,6 lm/W	4000 K	Fixed / DALI	A+G C
SE 5080 LED 8800-840	2240	50W	58W	9148 lumens	157,7 lm/W	4000 K	Fixed / DALI	A+G C
SE 5080 LED 13000-840	3360	73,2W	84W	13432 lumens	159,9 lm/W	4000 K	Fixed / DALI	A+G C

- Luminous flux maintenance factor : L80B20 to 50 000 hours
- MacAdam Ellipse: 3 SDCM
- LED sources photobiological risk : GP1

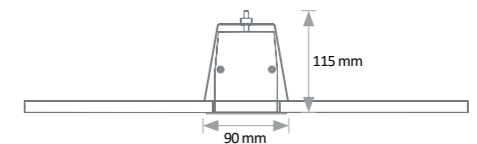
(1) All the luminous flux indicated in the brochure are based on the flux of the LED module s also known as system flux.

Luminaire output flux = (Module flux) x (optical efficiency), the optical efficiency of the luminaire is indicated in the Eulumdat file (LDT line 23) available for download on our website or on request.

Recessed Lay-in



Recessed Lay-out





BIOMEDICAL EQUIPEMENT

Medical gases monnitoring
Biomedical accessories

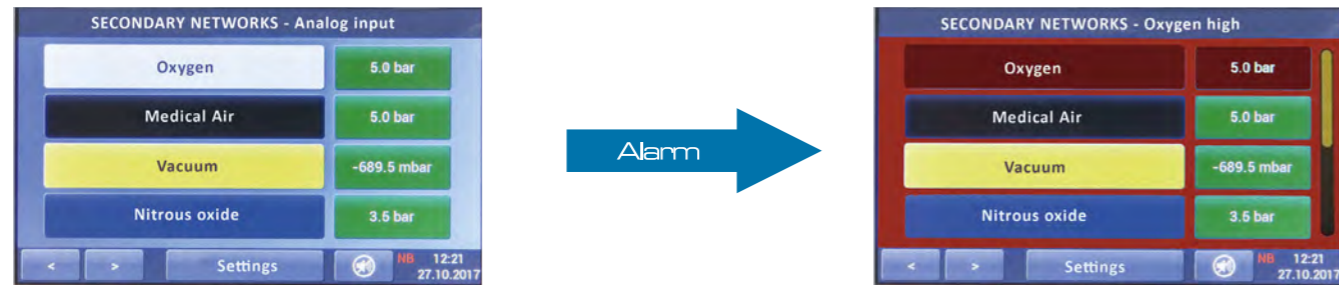
SECURIDYS medical gas monitoring are dedicated to centralized or decentralized monitoring (production, care units, bottles, etc.) of the distribution of medical gases. They are equipped with modbus RTU or Modbus TCP/IP. They have a 5-inch touch screen and a USB port. The SECURIDYS offers an optional recessed box. Every SECURIDYS have 8 analog inputs and 16 logic inputs.



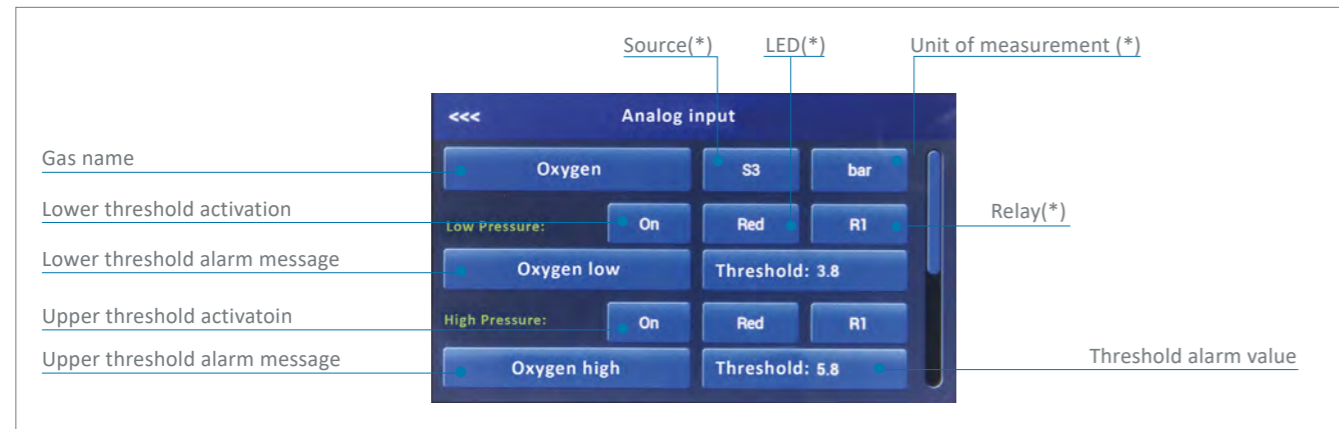
SECURIDYS

Signalling & Alarms

SECURIDYS 816 (8 analog inputs and 16 logic inputs) units have been awarded the CE Marking. They can be configured according to your needs, to monitor medical compressed gas distribution and vacuum systems in accordance with the standards and regulations in force. The analog and logic channels on eight different networks (sources, tanks, compressors...) can all be monitored by the same unit.



Control



*Configuration :

- Unit of measurement: bar or mbar.
- Relay: R1 (activation of relay 1), R2 (activation of relay 2), R1-R2 (activation of relay), - (no activation of relay).
- LED: Red, Yellow, - (no LED).
- Affected source: S1, S2, S3, S4.

dimensions of the box allow it to be installed in line with most medical gas devices on the market, with easy access for installation, wiring, figuration, and maintenance.



The various parameters of each of the analog or logic inputs and their transmitters (see table below) can easily be fine-tuned according to your specifications by entering an access code according to the standards and regulations in force.

Background

Memory capacity	108 elements
Date display	dd/mm/yy
Page display	active/total
Display of stored events	Yes
Time display	hh :mm



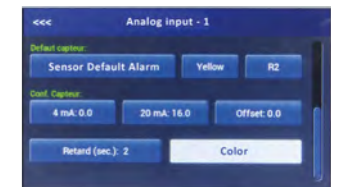
Analog input

Type of network	One-press/ Two-press
Section(s) monitored (1)	1 to 4 (S1, S2, S3, S4) *
Gas name	Name + color
Unit of measurement	b or mb
Upper threshold alarm message	30 characters
Upper pressure threshold	- 1000 to 1000
Upper threshold alarm activation	Activated or not
Upper threshold audible and visual alarm	2 options (2)
Lower threshold alarm message	30 characters
Lower pressure threshold	0 to 1000 or 0 to -1000
Lower threshold alarm activation	Activated or not
Lower threshold audible and visual alarm	2 options (2)



Analog sensor

Pressure corresponding to 20 mA	- 1000 to 1000
Pressure corresponding to 4 mA	- 1000 to 1000
Pressure correction (offset)	- 1000 to 1000
Sensor error alarm message	30 characters
Sensor error alarm activation	Activated or not
Sensor error audible and visual alarm indication	2 options (2)
Sensor error alarm indication delay	0 to 250 seconds



Logic input

Type of network	One press -> individual logic input Two press -> Logic inputs coupled (S2 ;S3)
Section(s) controlled (1)	S1, S2, S3, S4*
Gas name	30 characters
Digital alarm message	30 characters
Digital alarm activation	Activated or not
Digital audible and visual alarm indication	2 options (2)
Digital contact type	NC or NO



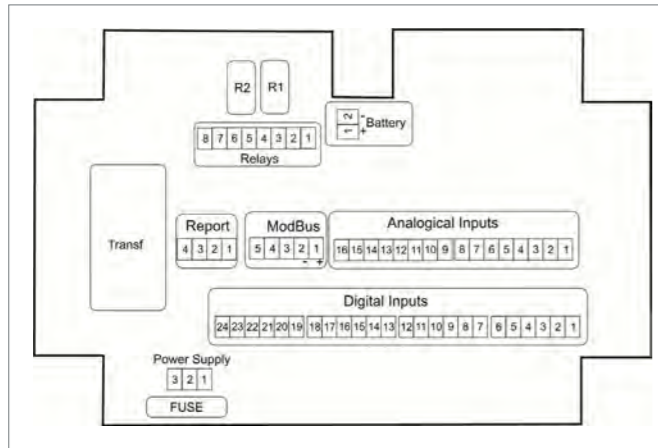
* S1 : Supply source
S2 : Primary network
S3: Secondary network
S4: Single supply

(1) In double pressure configuration only
(2) Emergency operation

The box can be connected either from the wall or any of the four sides of the box.

Maintenance

All the equipment is grouped in the front of the case and secured to the facade. The connectors are unpluggable, equipped with a polarizing device and identified according to the diagram below:



The saving and loading of the client configuration are achieved through the USB interface and via the 5" touch screen.

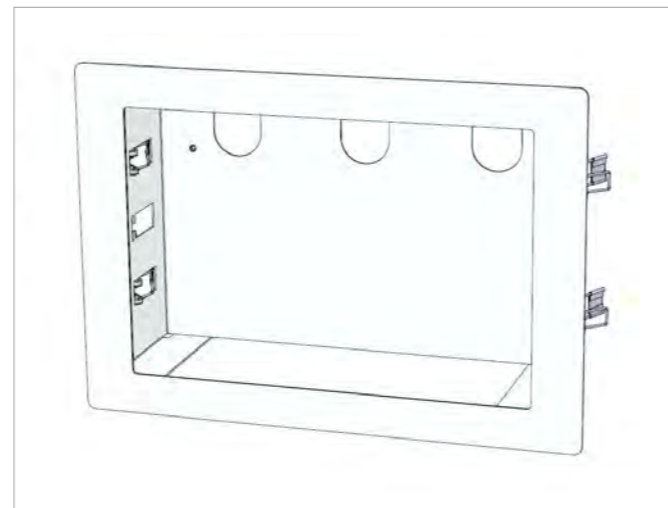
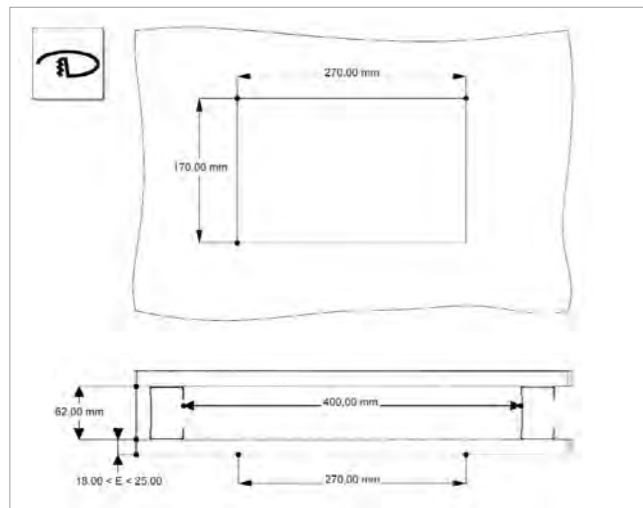
Signal report

Communication via the RS 485 BUS dedicated to report offers all the possibilities of signal transfer to the report modules via two-pair cables from one report to another over a cable distance of up to 1000 meters*.

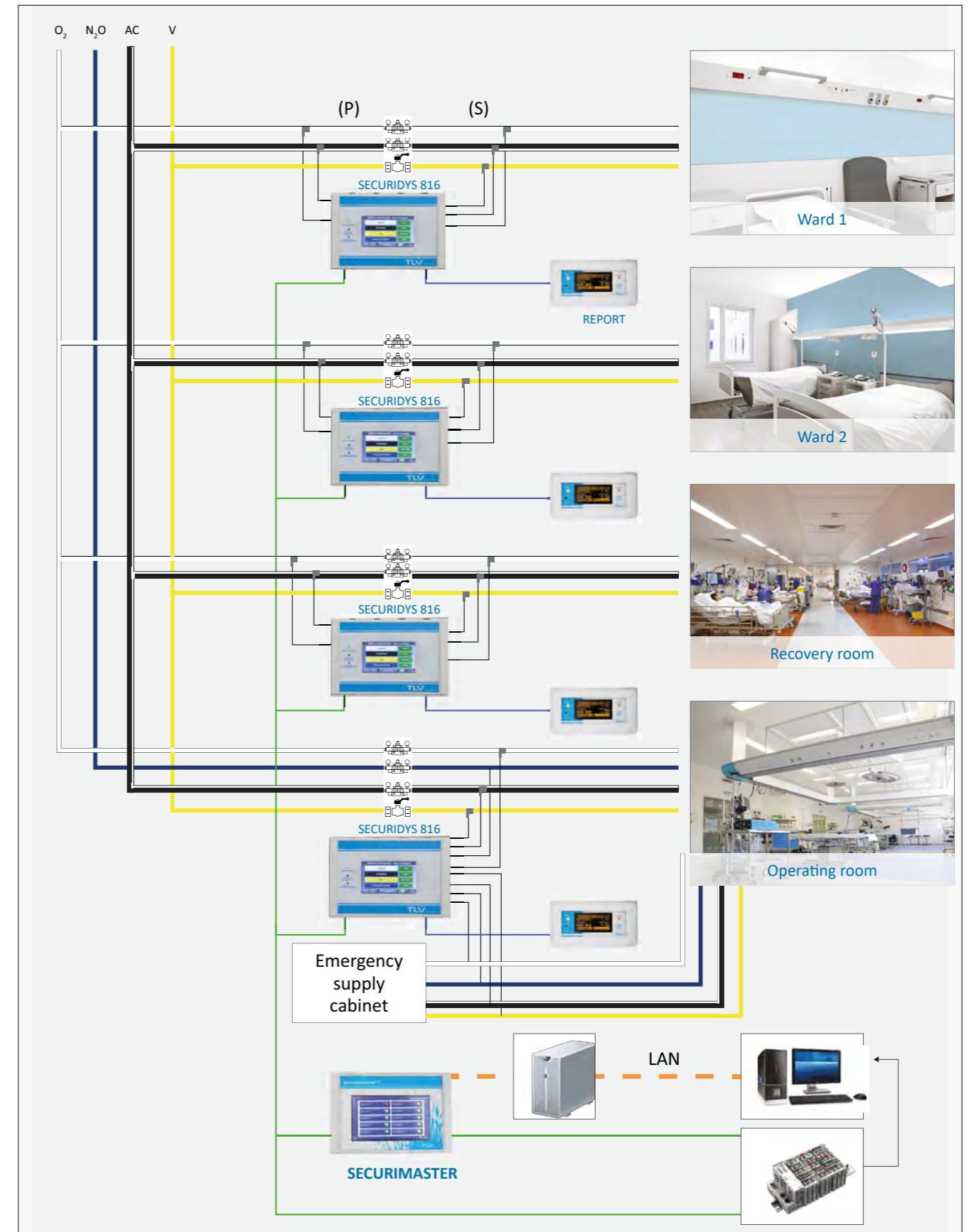


The OLED screen of the SEC MIR report displays all the information and alarms of the unit. The OLED screen module lets you view the same data as a mirror unit but at lower cost and with the advantage of a more compact unit. The flush or surface mounting are easier by using MOSAIC 45 dimension.

The SECURIDYS offers as an option, a recessed box.



The various solutions offered by the SECURIDYS product range allow easy transmission of signals and alarms in your medical gases networks.



- RS 485 BUS transfer cable*
- 485 Modbus*RTU or TCP/IP
- TCP/IP Ethernet cable
- (P) Primary
- (S) Secondary

The real-time availability and storage of signals is essential, whether this concerns a maintenance standby signal or connection to a CTM or BMS software package.

The SECURIDYS range offers every possible technological opportunity to send, centralize, save, and analyze information obtained by monitoring your medical gas networks.

With the RS 485 RTU BUS or TCP/IP protocol, transfer all the data concerning the status of your gas network

Information is transferred from the units to the report modules by a different RS 485 BUS from the one dedicated to Centralized Technical Management or the Building Management System. The Securidys is able to manage two communication protocols: ModBus RTU and ModBus TCP / IP.

The ModBus RTU protocol of SECURIDYS units, with their built-in power supply, allows data to be transferred safely over a distance of 1000 meters via a Belden 9841 or equivalent cable.

The ModBus TCP / IP protocol uses the intranet network of the hospital for the transfer of information.

With SECURIMASTER, it is easy to centralize the data on your touch screen

When connected to the units via the RS 485 BUS, SECURIMASTER allows you to centralize the monitoring and alarm data from 30 SECURIDYS or five SECURIMASTER units.



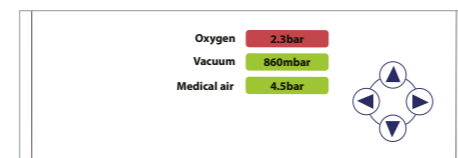
The SECURIMASTER supervision module provides you with remote information via the Modbus RS485 TCP/IP or BACNET protocols.



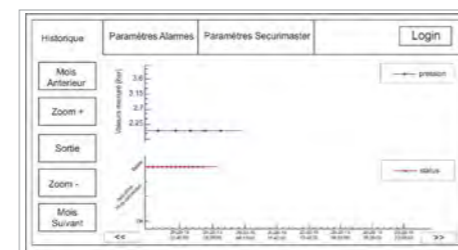
Data processing

On the SECURIMASTER screen, you can monitor the status of each SECURIDYS alarm unit connected.

Select one of the icons to switch to a screen representing the alarm unit of the service concerned, with the gas pressure values.



Select one of the gases to view its data history.



Monitoring and alarm system for compressed gas distribution and vacuum networks

SECURIDYS alarm units

Part No.	Model	Description
519368	SECURIDYS 816	8 analog inputs and 16 logic inputs with MODBUS interface
519347	SECURIMASTER +	Supervision unit for 30 units or five supervision units with interface MODBUS RTU
815699	SECURIMASTER +	Supervision unit for 30 units or five supervision units with interface TCP/IP MODBUS
815700	SECURIMASTER +	Supervision unit for 30 units or five supervision units with interface TCP/IP BAC NET
519361	SECURIREP	Amplifier module / repeater / RS 485 MODBUS (1) signal isolator
517061	SEC a	12 V DC power supply for amplifier module
518369	SEC b	Spare battery for SECURIDYS 816

(1) 12 V DC power supply not included

SECURIDYS alarm report

Part No.	Model	Description
519222	SECURIDYS MIR	OLED screen alarm information transfer module (2)
519209	SECURIDYS BMS	Surface-mounted transfer module box (LEGRAND Cat. No. 802 85)
500569	SECURIDYS BME	Flush-mounted transfer module box (LEGRAND Cat. No. 800 42)

(2) On five-module MOSAIC support (LEGRAND Cat. No. 802 52) supplied with horizontal plate (LEGRAND Cat. No. 788 15)

SECURIDYS sensors and accessories

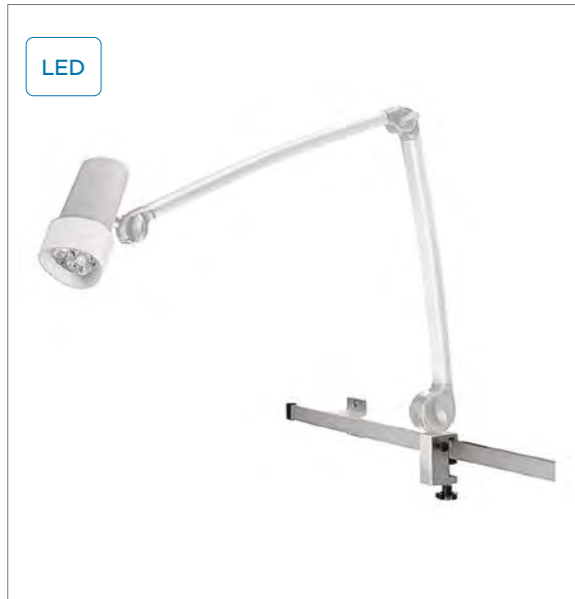
Part No.	Model	Description
815601	SEC 206	Degreased pressure sensor 0 / 16 bar (4 - 20 mA) (3)
815602	SEC 207	Negative pressure sensor 0bar / -1000 bar (4 - 20 mA) (3)
519214	SEC 201	Pressure switch, adjustment range 4 to 9 bar, maximum pressure 20 bar
519215	SEC 202	Pressure switch, adjustment range 9 to 15 bar, maximum pressure 20 bar
519218	SEC 205	Negative pressure switch, adjustment range -150 to -1000 mbar
519220	SEC 210	Weldable microleak mounting base for M10 sensor on pipe
519228	SEC CCF	Replacement cable for analog sensor, length 2 meters, and M10 (IP 67) connector
815690	Z4052	Recessed box for SECURIDYS

(3) All of our sensors are supplied with 2-m cable and M12 (IP67) connector

TLV offers a large range of biomedical accessories, examination lamps, tilting swivel arm for screen, monitor, keyboard, telescopic IV pole, rails, trays, drawers, nurse call...



BIOMEDICAL ACCESSORIES



Care LED lamp with dimming on articulated arm with clamp

This lamp is really convenient for examinations and is suitable for resuscitation ward or patient rooms.

Length : 885 mm
 Light output 30000 Lux / 0,5 m
 Field of illumination 300 mm / 0,5 m
 Color temperature 4400 K
 CRI > 93

For horizontal rail, ref : 815652

For vertical tube or rail, ref : 815653

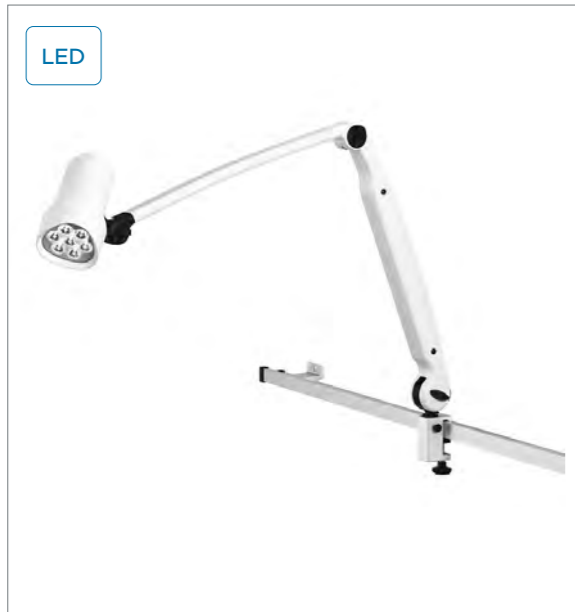


LED lamp on articulated arm with clamp

Length : 991 mm
 Light output 50000 Lux / 0,5 m
 Field of illumination 100 mm
 Color temperature 4 300 K

For horizontal rail, ref : 815662

For vertical tube or rail, ref : 815663



Care LED lamp on articulated arm

This lamp can be used in examination rooms or ICU. It provides reliable and ideal lighting for medical examinations.

1 color temperature, with clamp

Length : 940 mm
 Light output 50000 Lux / 0,5 m
 Field of illumination 180 mm
 Color temperature 4 400 K
 CRI > 93

For horizontal rail, ref : 815654

For vertical tube or rail, ref : 815655

3 color temperatures, with clamp, 5 gradation level

Light output 50000 Lux / 0,5 m
 Field of illumination 180 mm
 Color temperature 3 300 K / 3 800 K / 4 400 K
 CRI > 93

For horizontal rail, ref : 815656

For vertical tube or rail, ref : 815657



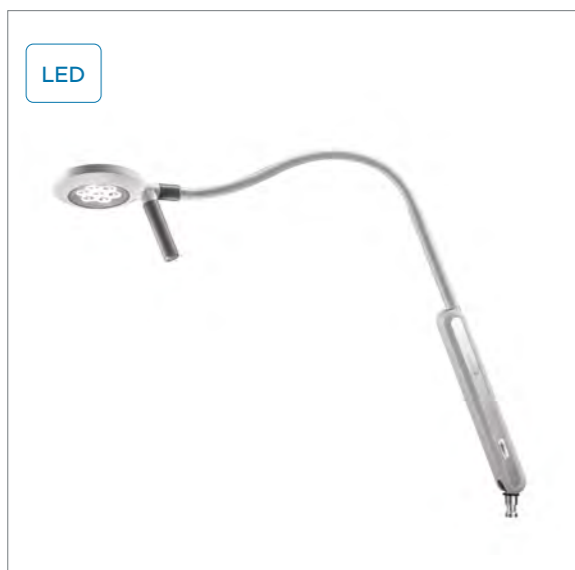
LED minor spot and examination lamp with double joint rigid arm (clamp included)

This care lamp is ideal for emergencies, neonatology or in addition in operating rooms for small or ambulatory surgeries. It can be screwed onto the ceiling anchoring of the TECH-CARE pendant.

Length : 1750 mm (+ tige verticale min 700 - max 1200)
 Light output 80000 Lux / 1m
 Field of illumination 180 mm
 Color temperature 4 500 K
 CRI > 95

For ceiling mounting, ref : 815706

For wall mounting, ref : 815707



LED lamp on flexible arm

This lamp is suitable for daily medical examinations.

Length : 1000 mm
 Light output 50000 Lux / 0,5 m
 Field of illumination 180 mm
 Color temperature 4 400 K
 CRI > 93

For horizontal rail, ref : 815714

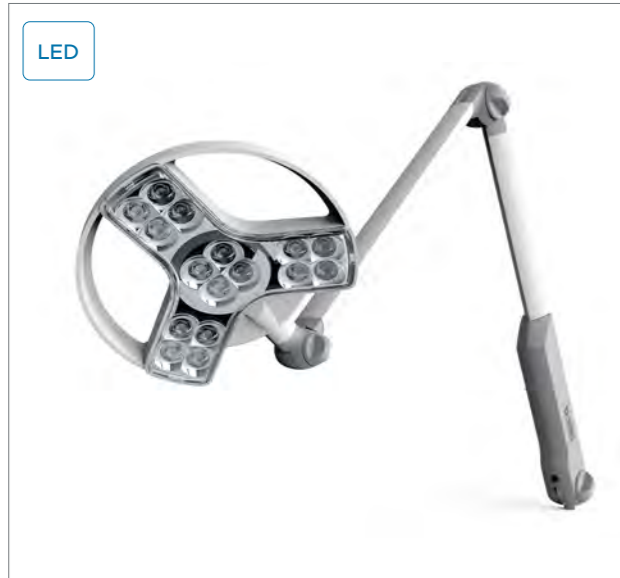
For vertical tube or rail, ref : 815715



Wall-mounted LED lamp

Length : 1850 mm
 Light output > 40000 Lux / 1 m
 Field of illumination < 240 mm
 Color temperature 4 500 K

Ref : 519143



LED

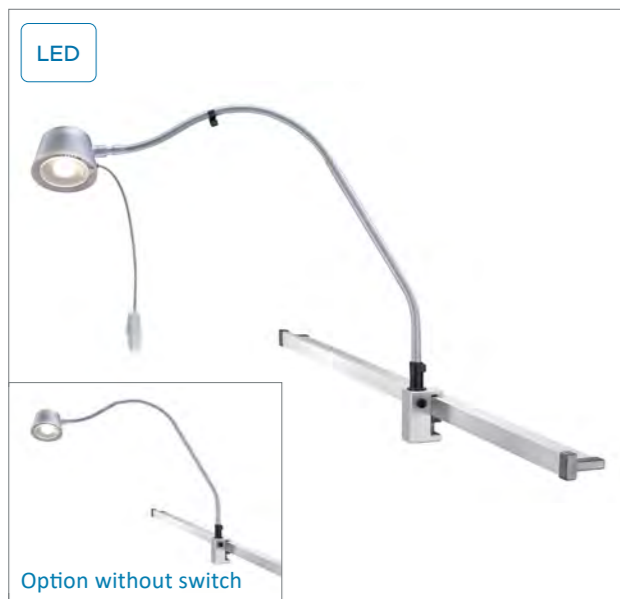
LED lamp on articulated arm, 2 color temperatures with clamp, 4 dimming level

This lamp is perfect for sensitive areas like neonatology or ICU/ Resuscitation.

Length : 1080 mm
 Light output 60000 Lux / 0,5 m
 Field of illumination 210 mm
 Color temperature 3 500 K / 4 500 K
 CRI > 93

For horizontal rail, ref : 815658
 For vertical tube or rail, ref : 815659

CARE AND READING LAMPS



LED

Care and reading LED lamp on flexible arm

It is particularly recommended for reading in the patient rooms of hospitals or retirement homes.

Length : 800 mm
 Light output 1100 Lux / 0,5 m
 Field of illumination 600 mm
 Color temperature 3 000 K
 CRI > 80

For horizontal rail, ref : 815708
 For vertical tube or rail, ref : 815709

As option:
 This lamp is available without switch. In this case the control will be done directly from the nurse call pear.

For horizontal rail, ref : 815710
 For vertical tube or rail, ref : 815711

Option without switch



LED

Care and reading LED lamp on flexible arm

This lamp is mainly used for reading in retirement homes. The handle integrates a luminous ON/OFF switch. It enables easy use and positioning.

Length : 820 mm
 Light output 1000 Lux / 0,5 m
 Field of illumination 450 mm
 Color temperature 3 000 K
 CRI > 95

For horizontal rail, ref : 815712
 For vertical tube or rail, ref : 815713

Monitor stand

Swivel arm, length 300 mm, for VESA quick-fit panel (18 kg max.)



For horizontal rail, ref : 511508



For wall vertical rail, ref : 511510



For vertical Ø38 tube, ref : 519126

Swivel arm, length 300+300 mm, for VESA quick-fit panel (18 kg max.)



For horizontal rail, ref : 511509



For vertical rail, ref : 511511

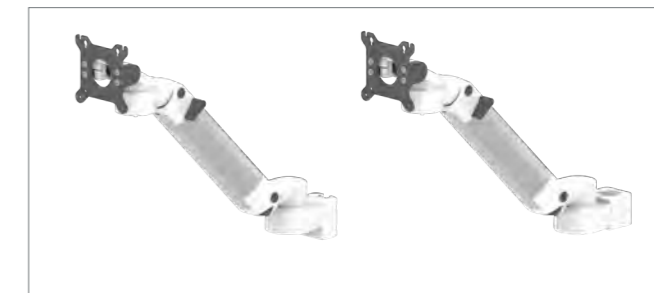


For vertical Ø38 tube, ref : 511524



VESA 75 / 100 mm monitor stand on clamp for tube (Ø 23-40 mm)

Ref : 815489



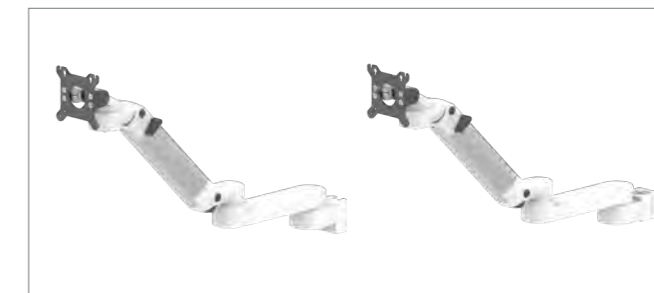
Height adjustable arm 450 mm offset 438 mm vertical travel for VESA monitor (16 kg max)

For vertical rail, ref : 511512
 For vertical Ø38 tube, ref : 511525



VESA quick adapter panel

Ref : 519131



Height adjustable arm 450 mm offset, 438 mm vertical travel with 230 mm extension for VESA monitor (16 kg max)

For vertical rail, ref : 511513
 For vertical Ø38 tube, ref : 511526

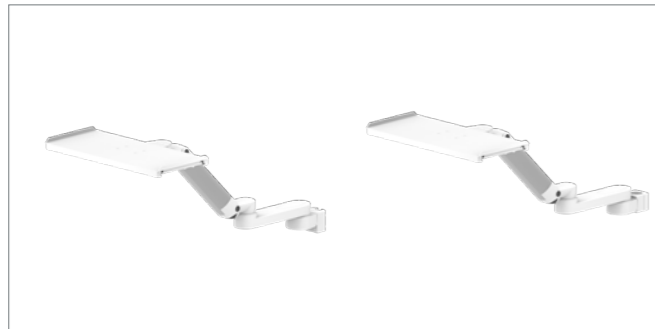
TILTING SWIVEL ARM FOR KEYBOARD AND MOUSE



Height-adjustable monitor/keyboard stand, 450 mm offset, 438 mm vertical travel with 230 mm extension (16 kg max)

For vertical rail, ref : 511514

For vertical Ø38 tube, ref : 511530



Height adjustable arm, 450 mm offset, 438 mm vertical travel with 230 mm extension (5 kg max on the tray)

For vertical rail, ref : 511694

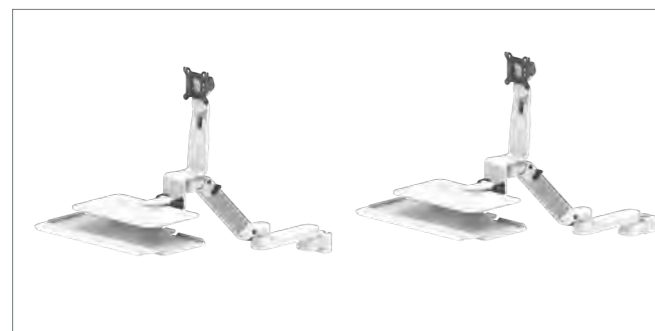
For vertical Ø38 tube, ref : 511695



Monitor/keyboard stand with height-adjustable work surface, 450 mm offset, 438 mm vertical travel (14 kg max)*

For vertical rail, ref : 511580

For vertical Ø38 tube, ref : 511577



Monitor/keyboard stand with height-adjustable work surface, 450 mm offset, 438 mm vertical travel with 230 mm extension (14 kg max)*

For vertical rail, ref : 511578

For vertical Ø38 tube, ref : 511579

TILTING SWIVEL ARM FOR KEYBOARD AND MOUSE



Height adjustable arm, 524 mm horizontal extension, vertical travel 330 mm (max 11,3 kg)

Load max : 9 kg

For vertical rail, ref : 815349

For vertical Ø38 tube, ref : 815339



Height adjustable arm, 524 mm horizontal extension, vertical travel 330 mm

For vertical rail, ref : 815350

For vertical Ø38 tube, ref : 815340

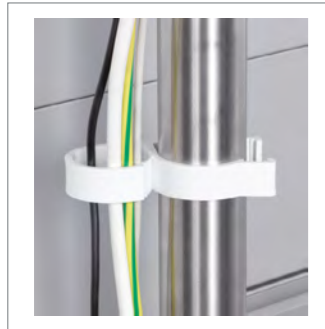


Height adjustable screen and keyboard stand with work surface 432 mm horizontal extension, vertical travel 508 mm (max 14,5 kg)

For vertical Ø38 tube, ref : 815687

* For other loads, please consult us.

ACCESSORIES



Universal cable conduit for 25x10 rail or Ø38 tube (batch of 4)

Ref : 815121



Universal clamp

Ref : 519100



Ø25 tube clamp

Ref : 519101



Ø18 tube clamp

Ref : 519129



Telescopic IV pole, 4 hooks on arm with 300 mm horizontal extension
Load max : all 32 kg and 2 kg / hook

For vertical rail or tube, ref : 815487

For horizontal rails, ref : 815196



Secondary stainless steel tube Ø25 x 1000 mm on arm with 300 mm horizontal extension
Load max : 28 kg

For vertical rail or tube, ref : 815125

For horizontal rails, ref : 815526



Set of two telescopic IV poles, 4 hooks for Ø38 mono tube trolley
Load max : all 32 kg and 2 kg / hook

Ref : 815488



Telescopic IV pole, 4 hooks for horizontal rail
Load max : 2 kg / hook

Ref : 519108



Telescopic IV pole, 6 hooks for horizontal rail
Load max : 2 kg / hook

Ref : 519109



Telescopic elbowed IV pole, 3 hooks for horizontal rail (bed head unit or wall mounted)
Load max : 2 kg / hook

Ref : 519110

ACCESSORIES



Telescopic elbowed IV pole, 4 hooks for horizontal rail (bed head unit or wall mounted)
Load max : 2 kg / hook

Ref : 519111



Telescopic IV pole, 4 hooks for horizontal rail
Load max : 2 kg / hook

Ref : 519112



Elbowed IV pole with 6 hooks
Load max : 3 kg

Ref : 815076



Articulated arm (approx. 1000 mm) with 4 hooks for Ø23 tube (clamp not included)

Ref : 519113



Monitor shelf, 540 x 360 mm / 40 kg

Ref : 519114



Monitor shelf, 540 x 360 mm / 40 kg with one 420 x 310 mm drawer

Ref : 519115



Monitor shelf, 540 x 360 mm / 40 kg with two 420 x 310 mm drawer

Ref : 519116



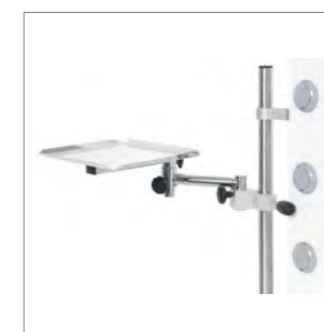
Off-center rail on clamp 25 x 10 x 355 mm
Load max : 14 kg

Ref : 519117



Centered rail on clamp 25 x 10 x 355 mm
Load max : 14 kg

Ref : 519118



Tilt shelf 300 x 300 mm on offset arm / 10 kg

Ref : 915083

ACCESSORIES



Shelf, 300 x 200 mm / 4 kg

Ref : 519134



Fixed shelf,
365 x 290 mm / 15 kg

Ref : 519061



Folding shelf,
465 x 300 mm / 6 kg

Ref : 519060



Probe holder with one
compartment,
410 x 160 x 70 mm,
with 2 hooks for
horizontal rail

Ref : 519056



Probe holder with three
compartments,
510 x 380 x 70 mm,
with 2 hooks for
horizontal rail

Ref : 519057



Document holder

Ref : 519066

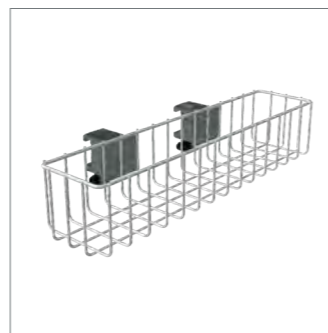


Stainless steel support
for 8 L bags

Ref : 519063

8 L bags, Qty. 50

Ref : 519064



Basket made of
powder-coated steel
500 x 120 x 100 mm with
2 clamps for horizontal
rail

Ref : 519163



Basket made of
powder-coated steel
250 x 90 x 200 mm with
clamp for horizontal rail

Ref : 519162



Glove box holder
260 x 132 x 100 mm with
clamp for horizontal rail

Ref : 519128

ACCESSORIES



Glove box holder
200 x 134 x 90 mm with 2
hooks for horizontal rail

Ref : 519164



Mask stand

Ref : 519062



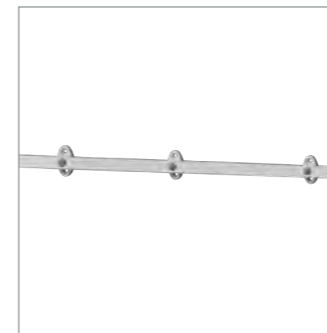
Double rail for shuttle
25 x 10 x 650 mm
Load max : 20 kg

Ref : 815104



Jar-holder rail for vertical
box or Multicare. Load
max : 30 kg

Ref : 815451



Wall rail made of
aluminum 25 x 10 mm
(per meter)

Ref : 815321



Secondary stainless steel
tube Ø25 x 500 mm on
clamp

Ref : 815126



Secondary stainless steel
tube Ø38x1500 mm on
clamp for horizontal bed
head rail / wall rail
Load max : 30 kg

Ref : 815127

Secondary stainless steel
tube Ø38x1500 mm on
clamp for horizontal rails
Load max : 30 kg

Ref : 815128



Sliding trolley SM 60
Ø38 Mono tube (tray not
included)

Ref : 815325

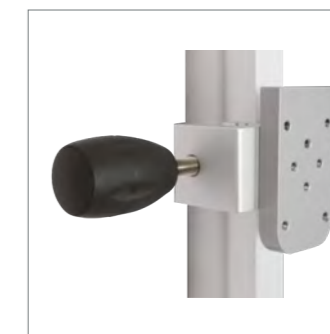


View protection
assembly (140 x 120 cm)

Ref : 519067

View protection
assembly (230 x 140 cm)

Ref : 519069



Mounting interface
for view protection
assembly.

For rail or Ø38 vertical
tube, ref : 815090

For horizontal rail,
ref : 815341

ACCESSORIES



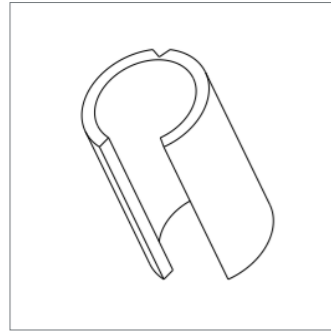
Secondary stainless steel tube Ø38 x 150 mm, for vertical rail

Ref : 815243



Extra tube system to hold accessories Ø30

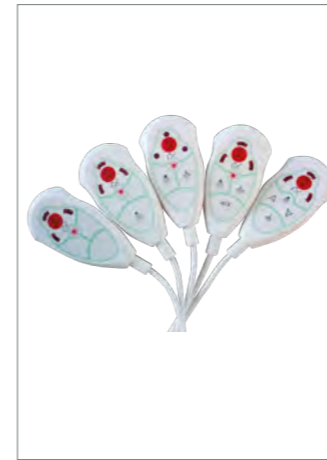
Réf : 815702



Adapter Ø30 for tube Ø38

Ref : 510088

ACCESSORIES



Nurse call pear push with normally open contact and two-pin plug

Close contact, ref : 517100
Open contact, ref : 517212

Four-function handset (general, reading, call + indicator light) with 10-pin plug

Ref : 517193

Two-function handset (reading, call + indicator light) with 10-pin plug

Ref : 517199

Three-function handset (general, reading, aux., call + indicator light) with 10-pin plug

Ref : 517190

Five-function handset (general, reading, up, down, call + indicator light) with 10-pin plug

Ref : 517191



DIN 10-pin plug on Mosaic 45 two-module support

Ref : 504017



Male/Female pull-out cord

Ref : 517200



Wall bracket for handset

Ref : 549150



Horizontal box handset

Ref : 517241



Stainless steel vertical tube support for accessories, dedicated to AXIS

Ref : 825317



Stainless steel tablet support for accessories, dedicated to AXIS

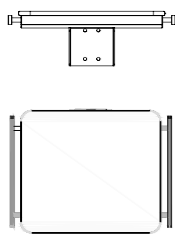
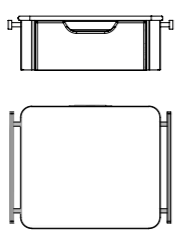
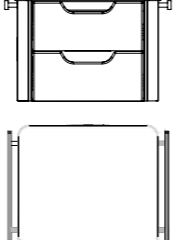
Ref : 825316

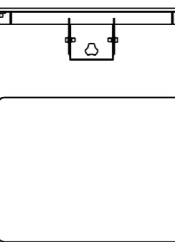
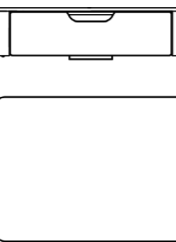
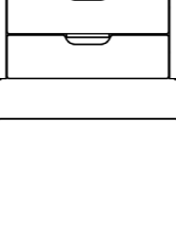


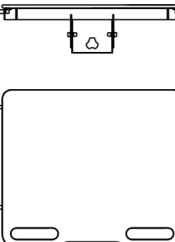
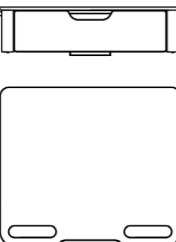
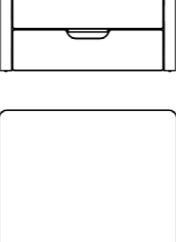
NATLYS circulation lighting

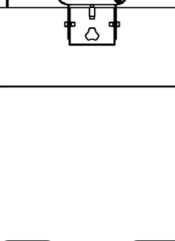
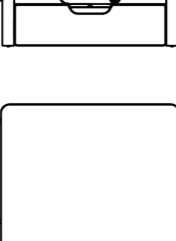
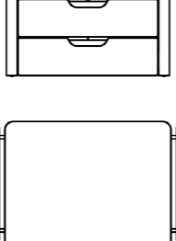
Ref : 891230

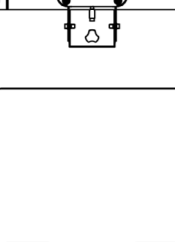

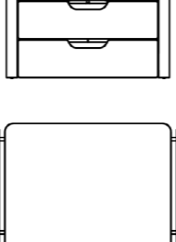
Tray(s) / drawer(s) for column, box, bed head unit or Ø38 tube

 <p>Tray 405x355 mm with lateral rails ; without mount (40 kg max)</p> <p>Colour : white Ref : 815671</p>	 <p>Tray unit 405x355 mm with single drawer and with lateral rails ; without mount (40 kg max)</p> <p>Colour : white Ref : 815749</p>	 <p>Tray unit 405x355 mm with double drawer and lateral rails ; without mount (40 kg max)</p> <p>Colour : white Ref : 815750</p>
--	--	---

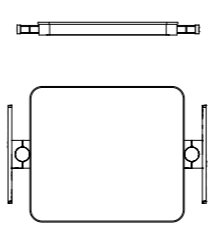
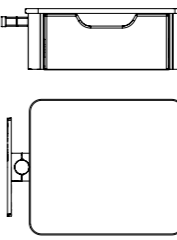
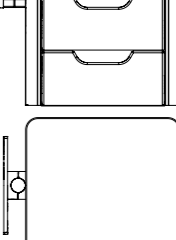
 <p>Tray 605x455 mm with lateral rails ; without mount (50 kg max)</p> <p>Colour : white Ref : 815677</p>	 <p>Tray unit 605x455 mm with single drawer and with lateral rails without mount ; without control without handle (50 kg max)*</p> <p>Colour : white Ref : 815751</p>	 <p>Tray unit 605x455 mm with double drawer and with lateral rails without mount ; without control without handle (50 kg max)*</p> <p>Colour : white Ref : 815752</p>
--	--	--

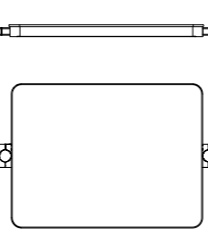
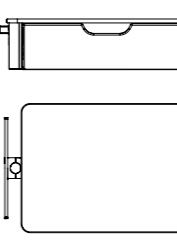
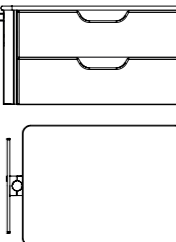
 <p>Tray 605x455 mm with lateral rails ; without control with handle (50 kg max)</p> <p>Colour : white Ref : 815648</p>	 <p>Tray unit 605x455 mm with single drawer and with lateral rails ; without control with handle (50 kg max)*</p> <p>Colour : white Ref : 815770</p>	 <p>Tray unit 605x455 mm with double drawer and with lateral rails ; without control with handle (50 kg max)*</p> <p>Colour : white Ref : 815771</p>
---	--	--

 <p>Tray 605x455 mm with lateral rails ; with control 1 button with handle (50 kg max)</p> <p>Colour : white Ref : 815724</p>	 <p>Tray unit 605x455 mm with single drawer and with lateral rails ; with control 1 button with handle (50 kg max)*</p> <p>Colour : white Ref : 815776</p>	 <p>Tray unit 605x455 mm with double drawer and with lateral rails ; with control 1 button with handle (50 kg max)*</p> <p>Colour : white Ref : 815780</p>
--	---	---

 <p>Tray 605x455 mm with lateral rails ; with control 2 buttons with handle (50 kg max)</p> <p>Colour : white Ref : 815725</p>	 <p>Tray unit 605x455 mm with single drawer and with lateral rails ; with control 2 buttons with handle (50 kg max)*</p> <p>Colour : white Ref : 815777</p>	 <p>Tray unit 605x455 mm with double drawer and with lateral rails ; with control 2 buttons with handle (50 kg max)*</p> <p>Colour : white Ref : 815781</p>
---	--	--

Tray(s) / drawer(s) for trolley or horizontal box

 <p>Tray 405x355 mm with lateral rails (40 kg max)</p> <p>Colour : white Ref : 815624</p>	 <p>Tray unit 405x355 mm with single drawer and with lateral rails (40 kg max)</p> <p>Colour : white Ref : 815758</p>	 <p>Tray unit 405x355 mm with double drawer and with lateral rails (40 kg max)</p> <p>Colour : white Ref : 815759</p>
--	--	--

 <p>Tray 605x455 mm with lateral rails (50 kg max)</p> <p>Colour : white Ref : 815622</p>	 <p>Tray unit 605x455 mm with single drawer and with lateral rails (50 kg max)*</p> <p>Colour : white Ref : 815756</p>	 <p>Tray unit 605x455 mm with double drawer and with lateral rails (50 kg max)*</p> <p>Colour : white Ref : 815757</p>
--	---	---

Description : white drawer with invisible runner, end-of-travel dampening to close the drawer quietly and keep it in the closed position.

Optional finish with plain or wood decors, possibility of printing custom decors (contact us).

* Drawers with removable trays in white color in antibacterial ABS material



Choose the mounting interface to fit your tray and drawer units :

Mounting interface for trays/drawers unit 405x355 mm for single vertical rail - Ref : 815682

Mounting interface for trays/drawers unit 605x455 mm for single vertical rail - Ref : 815789

Mounting interface for trays/drawers unit 605x455 mm for MULTICARE column and 2-sided vertical box TECH-CARE - Ref : 815683

Mounting interface for trays/drawers unit 605x455 mm for a 4-sided vertical box on vertical rails - Ref : 815788

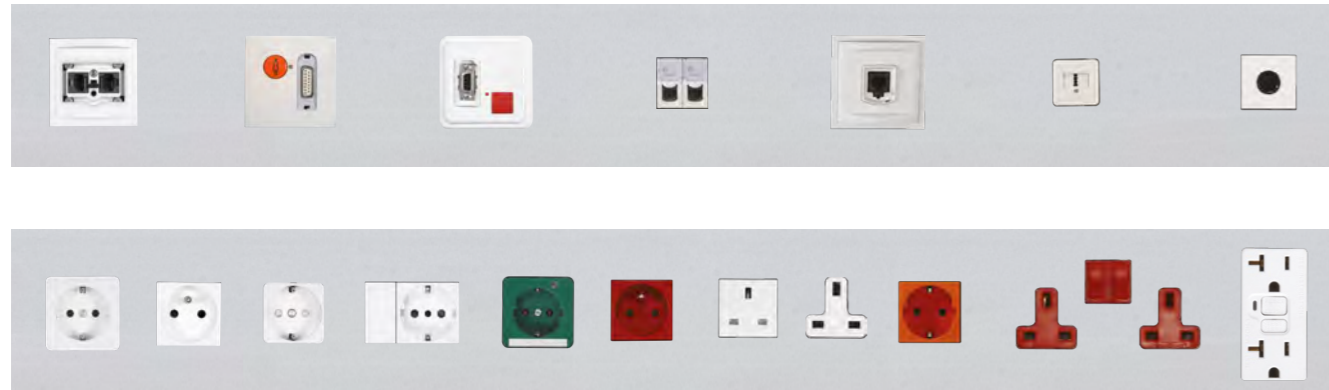
Mounting interface for vertical Ø38 tube - Ref : 815684

Mounting interface for mono FLUIDYS T with 2 lateral rails - Ref : 815685

Mounting interface for duo FLUIDYS T with 2 lateral rails - Ref : 815686

Electrical equipment

TLV products are cut by water jet, providing a precise, tailor-made finish so that sockets of any shape can be built into them. Electrical devices are flush-mounted, for easy cleaning and disinfection of products.



Medical gas equipment

TLV has developed casings for gas outlets, to enhance the appearance of its products. For quick and easy access to equipment, boxes, columns, and beams of our OT/ICU Resuscitation range do not include casings.

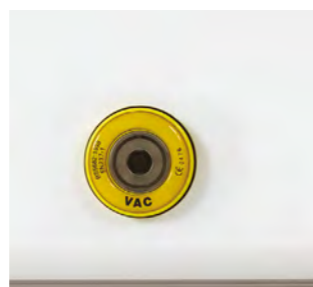
Medissima



Hi-Beam



Fluidys / Simple Care



Mediva



The many advantages of LED technology

- Production of light free from ultraviolet and infrared rays, hence no thermal radiation in the direction of the objects being illuminated
- Maximisation of the direction of the lighting
- Improved optical performance of the luminaires (high Efficiency)
- Excellent sustainability of the luminous flux over time (80% at 50,000 hours)
- Long service life that can be as long as 60,000 hours, providing a significant reduction in maintenance costs
- Reduction in energy consumption
- Ease of control for creating dynamic lighting
- Instantaneous illumination
- Comfortable lighting
- Ease of recycling (absence of mercury)
- Also enables new forms of luminaire to be created

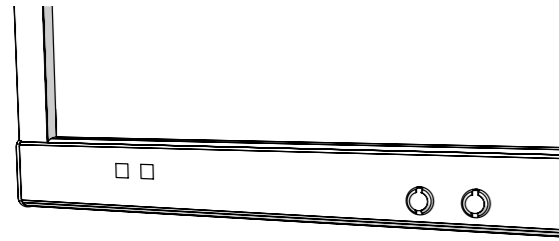
Luminous flux and Efficiency

Efficiency measured in watt (lm/W), is the quantity of light produced by one source in relation to the electrical power it consumes. The global efficiency of the luminaire reflects a performance : it depends on the source, the optics and the driver.

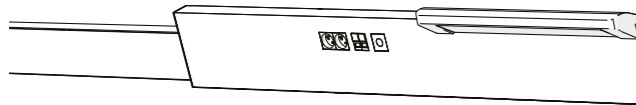
The luminous flow is the amount of light from a source (LED chip, LED module or luminaire). Today, the Efficiency of LED luminaire is 80% higher than a fluorescent luminaire.

The ducts vary depending on the product chosen and the configuration wanted.

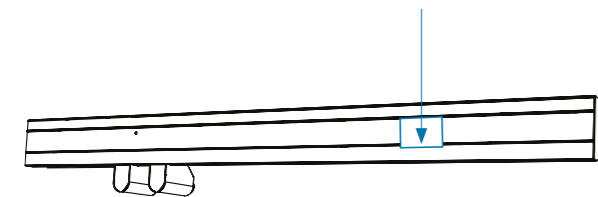
Supply from the ceiling
(via a distribution duct)



Supply from the side
(via a distribution duct)



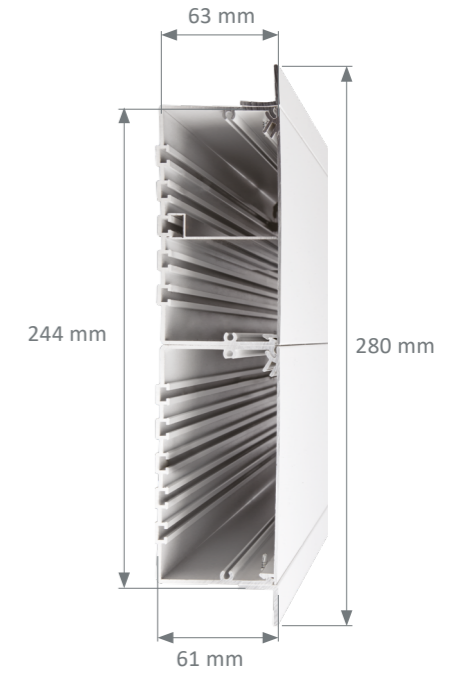
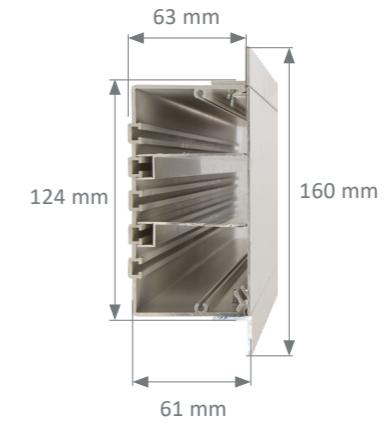
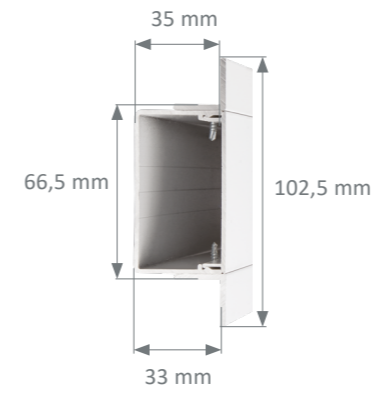
Supply from behind by a cut-out in the bed head unit



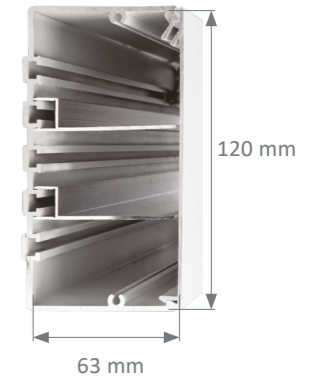
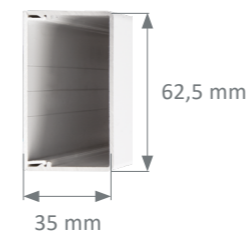
Examples



Flush-mounted ducts



Wall mounted ducts



LAMINATE PANELS COLORS FOR AXIS, COCOON, GOODWOOD,
GOODWOOD MOVE, MADEIRA, FLUIDYS CONCEPT FOR AMBULATORY USE

Colors

AXIS and COCOON bed head units and GOODWOOD, GOODWOOD MOVE and MADEIRA architectural concepts, offer a wide range of colors. Only the laminate panels proposed below have an antibacterial SANITIZED® treatment.



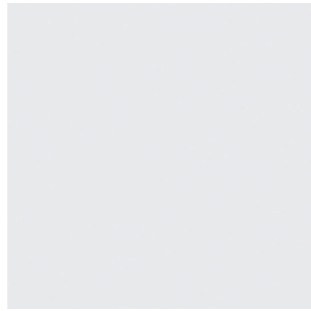
Plains colors



Blue B086
Finish : FA



Beige B116
Finish : FA



White B117
Finish : FA



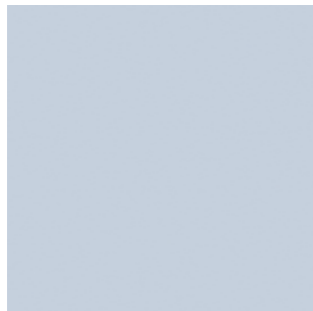
Blue B124
Finish : FA



Blue C118
Finish : FA



Celadon C190
Finish : FA



Smoke F008
Finish : FA



Gray G044
Finish : FA



Orange G078
Finish : FA



Yellow J018
Finish : FA

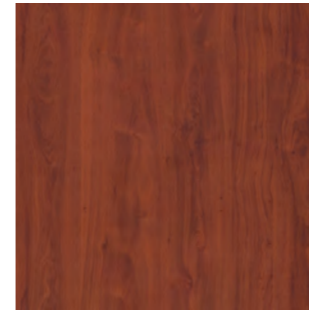


Green P092
Finish : FA



Pink R058
Finish : FA

Woods



Pecan Wood B023
Finish : FA



Washed Oak C103
Finish : SEV



Vendome Oak C133
Finish : SEV



Natural Cherry tree C181
Finish : EXM



Northern Maple E028
Finish : FA



Faroese Maple E103
Finish : EXM



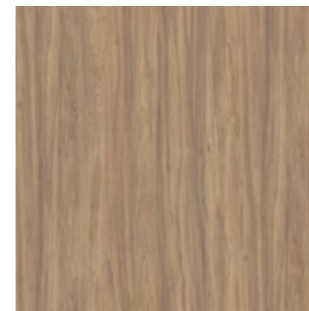
Crystal Ash F058
Finish : SEV



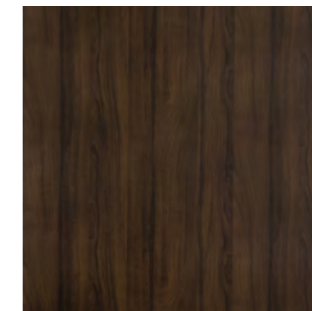
Monreale Ash F061
Finish : SEV



Bergen Beech H028
Finish : EXM



Natural Hazel N056
Finish : EXM



Walnut Havana N114
Finish : EXM



Appalachian Walnut N118
Finish : EXM

FA Finish: Light satin finish with an extra fine grain and soft texture
EXM Finish: Extra matt with a rough texture that recreates the authenticity of the original materials
SEV Finish: The fibre of wood underpinned by a subtly irregular and silky grained surface

NB : The colors shown here may differ from finished products.
Contact our sales force to view our samples. Other colors, on request.

THE EFFECT OF DYNAMIC LIGHTING

TLV products equipped with Dynamic Lighting combine two innovative technologies. By equipping a system with LED sources, energy efficiency can be improved and therefore the overall consumption of the system can be reduced, whilst the effects of natural lighting from sunrise to sunset are simulated by artificial intelligence.

This means that the lighting automatically adjusts its colour temperature and its brightness throughout the day and without requiring any intervention.

Dynamic Lighting creates a natural and stimulating light environment inside buildings. It boosts human feelings of well-being. It can also be adapted to the needs of its users. In a hospital setting, Dynamic Lighting can be a means to improve the comfort of patients and care personnel.

Advantages and benefits for patients and care teams

- Improves the patient environment
- More pleasant wake cycle
- Stimulating light during the daytime
- A feeling of well-being thanks to light that is closer to natural light
- Helps resynchronise the circadian rhythm
- Positive effect on mood and feelings of well-being
- Promotes concentration in care teams

TLV products available with Dynamic Lighting

Products	Dynamic Lighting
FLUIDYS	•
HI-BEAM	•
LUMIA	•
LYSA	•
GOODLIGHT	•
LINA	•
ILUS	•
SKYDECO	•

The intelligence of the TLV Dynamic Lighting system resides in its ability to satisfy the lighting needs of health-care facilities and its ability to simulate the biological effects of natural light, which contributes to improving the day-to-day comfort of residents and medical personnel alike.

APPLICATIONS IN A HOSPITAL ENVIRONMENT

Dynamic Lighting can be used in normal care rooms, OT/ICU Resuscitation areas, and passageways.

Normal care rooms

One of the essential functions of the system is to use light to restore a temporal reference to people whose circadian rhythm has been upset.



FLUIDYS bed head unit

OT/ICU resuscitation areas and passageways in health-care facilities

Surgery times in the operating theatre, lack of exposure to natural light, examination cubicles where patient privacy must be protected: all of these situations require medical personnel to work in artificial lighting, cut off from any temporal reference. Dynamic Lighting can compensate for this.



ILUS sealed ceiling lights

Retirement homes and nursing homes

Chronobiological changes in the elderly can result in a phase shift in the sleepwake cycle, leading to an earlier bedtime and earlier rising compared to socio-cultural norms.

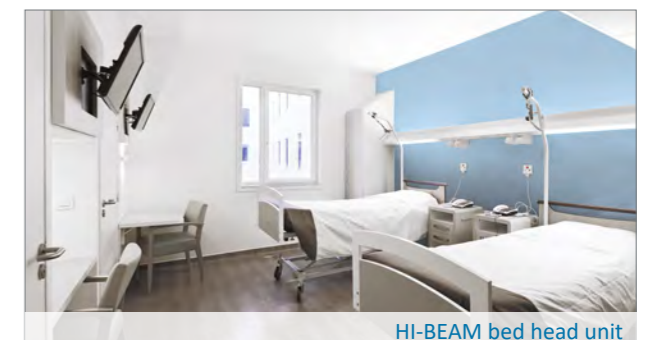
To remedy this problem, the Dynamic Lighting option synchronized to the (24-hour) circadian cycle allows residents to resynchronize their biological rhythm and avoid a significant offset of their day/night cycles. This makes the sleep-wake cycles more pleasant, because the lighting adapts gradually.



LYSA non-medical wall lighting unit

Alzheimer Units

Alzheimer patients can be subject to changes in their circadian rhythm, and sometimes their sleepwake cycle becomes disrupted. Dynamic Lighting contributes to resynchronising the internal biological clock.



HI-BEAM bed head unit

OPERATION

Thanks to its embedded electronics, the TLV Dynamic Lighting system is just as easy to use as a standard product.

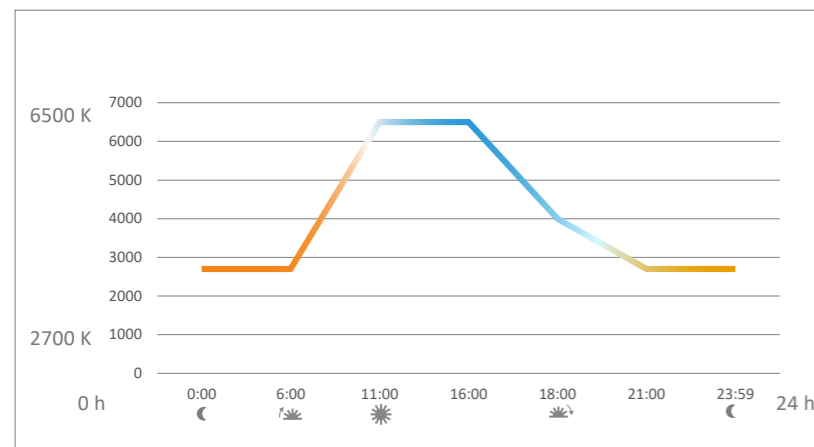
When it is switched on, the colour temperature is automatically adjusted according to the location, the time, and the position of the sun. The colour temperature is then adjusted throughout the day.

In parallel, the artificial lighting can be adjusted (optionally) according to the natural light available. This saves energy.

For areas without natural light, it is possible to vary the brightness according to the time of day. In this operating mode, the behaviour of the product tends to reproduce a circadian cycle, for a gentler awakening phase and a more pleasant end to the day.

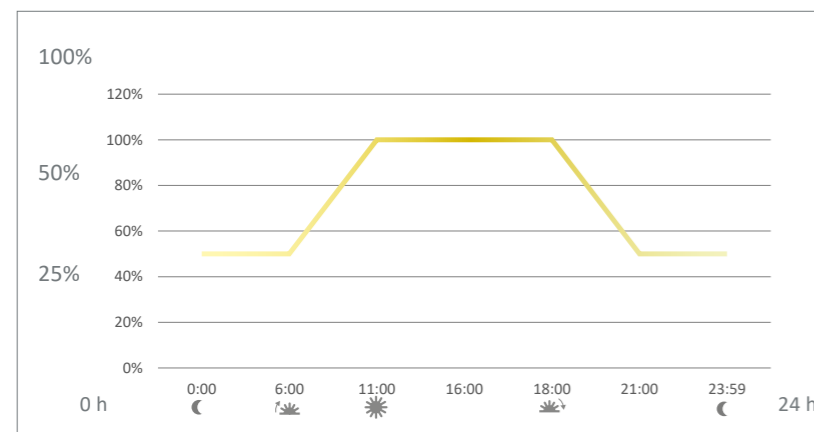
The caring lighting control can be used at any time to switch the Dynamic Lighting to 100% intensity with a neutral tone. This care mode, combined with the reading lighting, provides high-performance lighting in accordance with AFE* recommendations.

■ Variation in colour temperature and intensity over a 24-hour cycle.



The curve adjusts automatically according to location and season.

- The brightness control can be synchronised:
 - To the colour temperature variation curve.
 - With an optional brightness sensor, for the light intensity to adapt automatically to the natural light available.



The curve adjusts spontaneously according to the location and seasons or the automatic light-up and lights-out time, depending on the requirements of the department. This means that patients can be woken up with a warm tone just before breakfast.

LIGHT: AN ESSENTIAL ELEMENT OF OUR DAILY LIVES

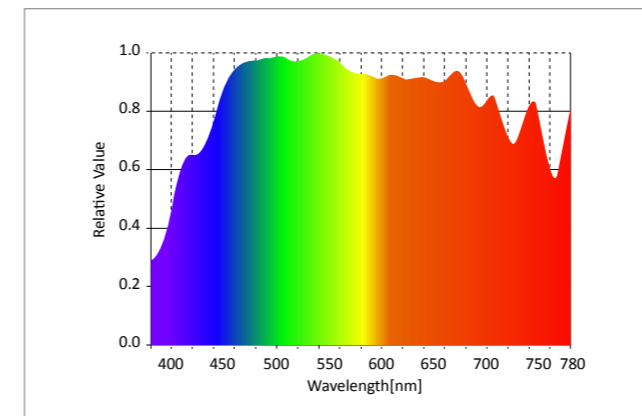
TLV's Dynamic Lighting technology provides health-care facilities with a quality of light much closer to that of natural light—an essential element for our biological rhythms.

The effects of natural light in our daily lives are partly thanks to the spectrum that makes up this light. Until now, the use of fluorescent light sources did not allow us to properly reproduce the spectrum of daylight, whose wavelengths are continuous and fall between 380 and 780 nm.

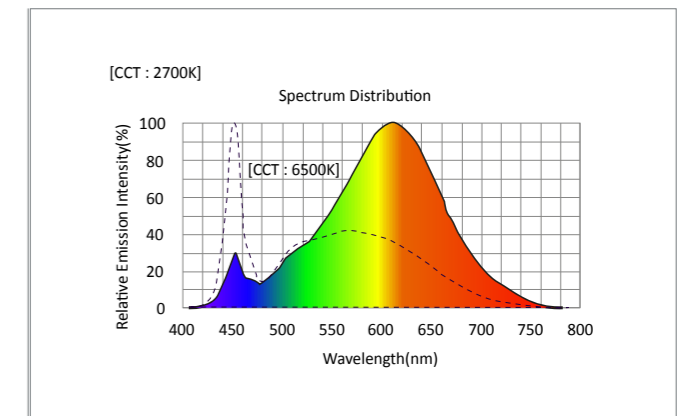
Thanks to the use of TLV technology, which combines the use of high-performance LEDs with embedded artificial intelligence, the light emitted is far more similar to the spectrum of sunlight. The characteristic rays of fluorescent sources are gone, and are replaced by a more complete, more natural, and therefore more pleasant spectrum.

To do this, TLV uses two light spectra: a 2700K spectrum and a 6500K spectrum. These are mixed appropriately according to the time of day, to obtain the most natural lighting possible. The warm light spectrum provides significant red content, like the light at sunrise and sunset. The cold light spectrum provides significant blue content, which is invigorating.

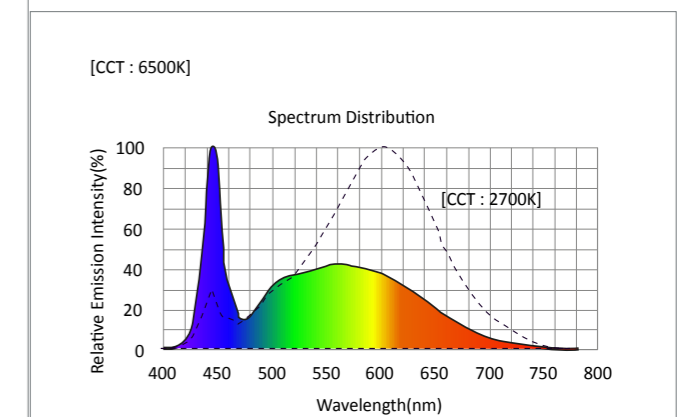
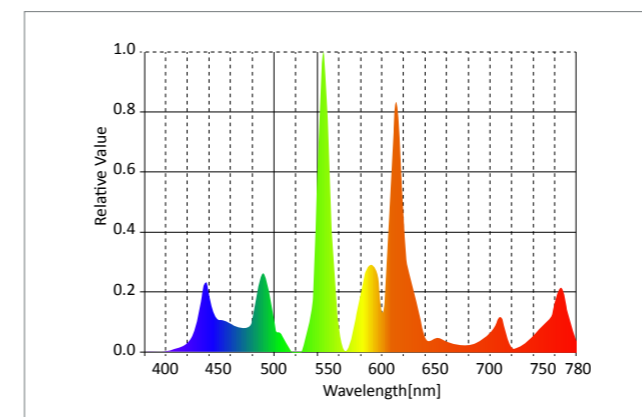
■ Natural light



■ TLV artificial tunable white light



■ Fluorescent artificial light



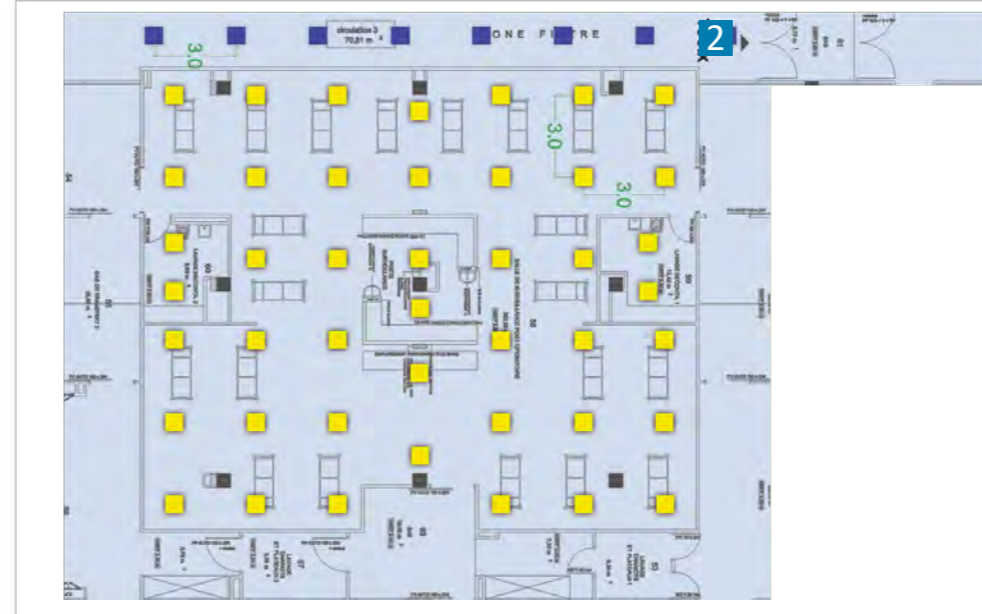
* AFE : French Lighting Association

CIRCULATION LIGHTING

TRATO, TLV's sister company, specialized in lighting, offers many products for circulation spaces, offices and waiting rooms. The different LED solutions provide efficient and effective lighting contributing to the comfort of patients and caregivers. For more product information, visit www.trato.fr.



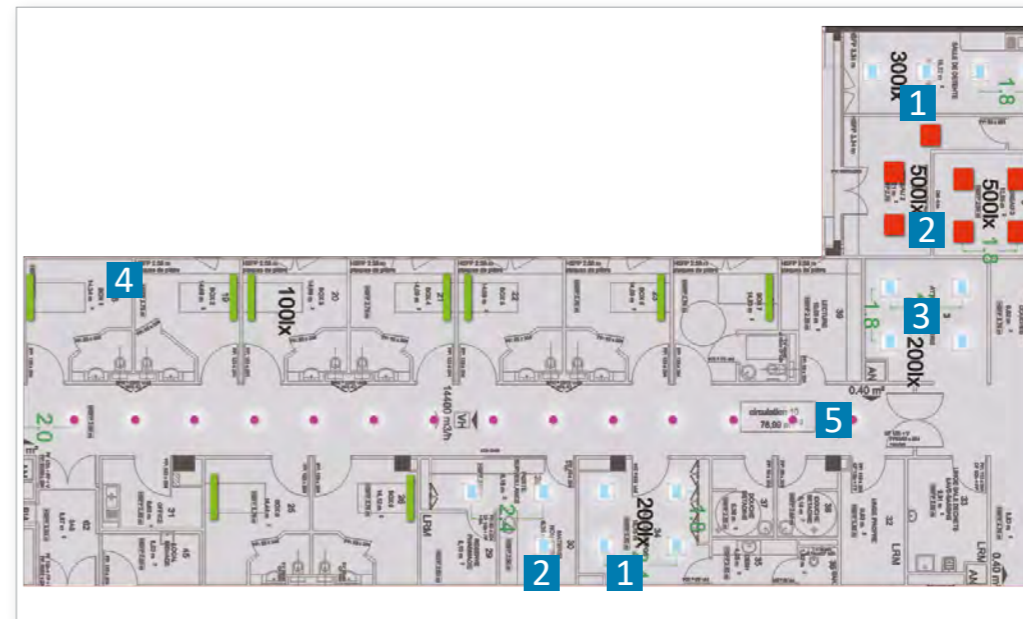
AREA 1 Recovery room - Circulation



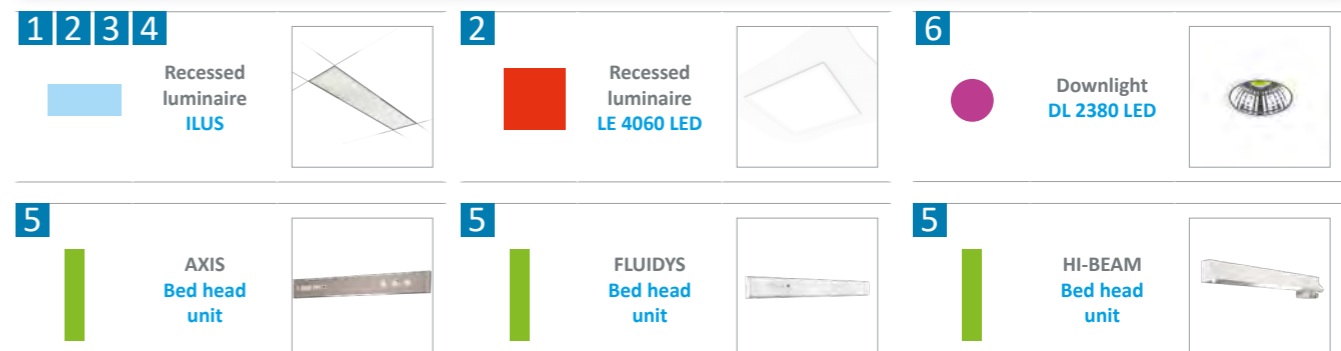
- 1 Recovery room
- 2 Circulations

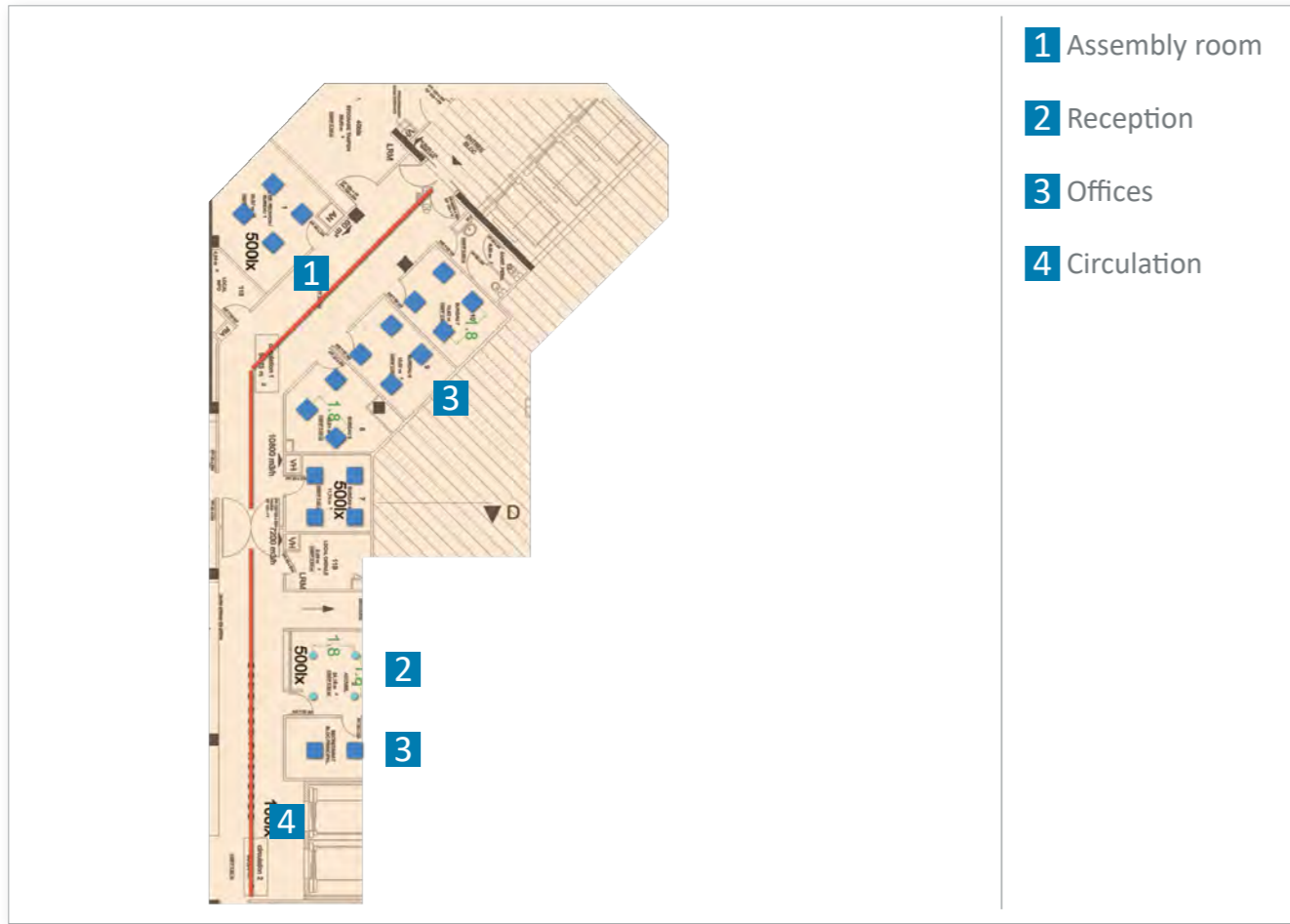


AREA 2 Normal care – Circulation – Offices – Waiting rooms







- 1 Break rooms
- 2 Offices
- 3 Waiting room
- 4 Normal care
- 5 Circulation





- 1 Assembly room
- 2 Reception
- 3 Offices
- 4 Circulation

<p>1 3</p> <p>■ Recessed luminaire LE 4060 LED</p> 	<p>2</p> <p>● Downlight DL 3921 LED</p> 	<p>4</p> <p>— Lighting system SE 3581 LED</p> 
<p>4</p> <p>— Asymmetrical continuous rows LC 3833 FLUO</p> 		



NORMS & RECOMMENDATIONS

- EN ISO 13485: Quality management systems
- Low Voltage Directive (LVD) 2014/35/UE
- CE Medical Devices Marking according to the EU rules 2017/745
- EN ISO 11197: Medical supply units
- EN ISO 7396-1: Medical gas pipeline systems - Part 1
- EN 60601-1: Medical electrical equipment - Part 1
- EN 60598: Luminaires - Part 1: General requirements and tests - Part 2-25: Luminaires for use in clinical areas of hospitals and health care buildings
- Directive 2014/30/UE: Electromagnetic Compatibility (EMC)
- Article EC5 safety regulation against the risks of fire and panic in public buildings
- European rules for caring centers lighting

Photo credits

Philippe Koopmans Atelier des Marques, Guillaume Satre, Haelvoet, Photonew, Upixa, Andreaphoto, VILevi, Provita, Derungs, Maquet, Ergotron, Karl Heck, Fabien Ploegaerts, Jean-Philippe Metsers, Cim Med.



Bed head units, Wall lighting units, Ceiling pendants, Suspended Beams & Columns,
Special care bed head units, Sealed lightings, Medical gas monitoring & Biomedical
Accessories

All specifications here in are provided for information purposes only and
may be modified by TLV without notice. (A)

TLV headoffice : 1 rue du Meunier, 59390 Lys-lez-Lannoy, France
Site of Roubaix : 22 rue Molière, 59100 Roubaix, France
Tel : + 33 (0) 3 20 81 50 00 - Fax : + 33 (0) 3 20 81 50 19 - www.tlv.fr - contact@tlv.fr

TLV Healthcare

A Fagerhult Group Company